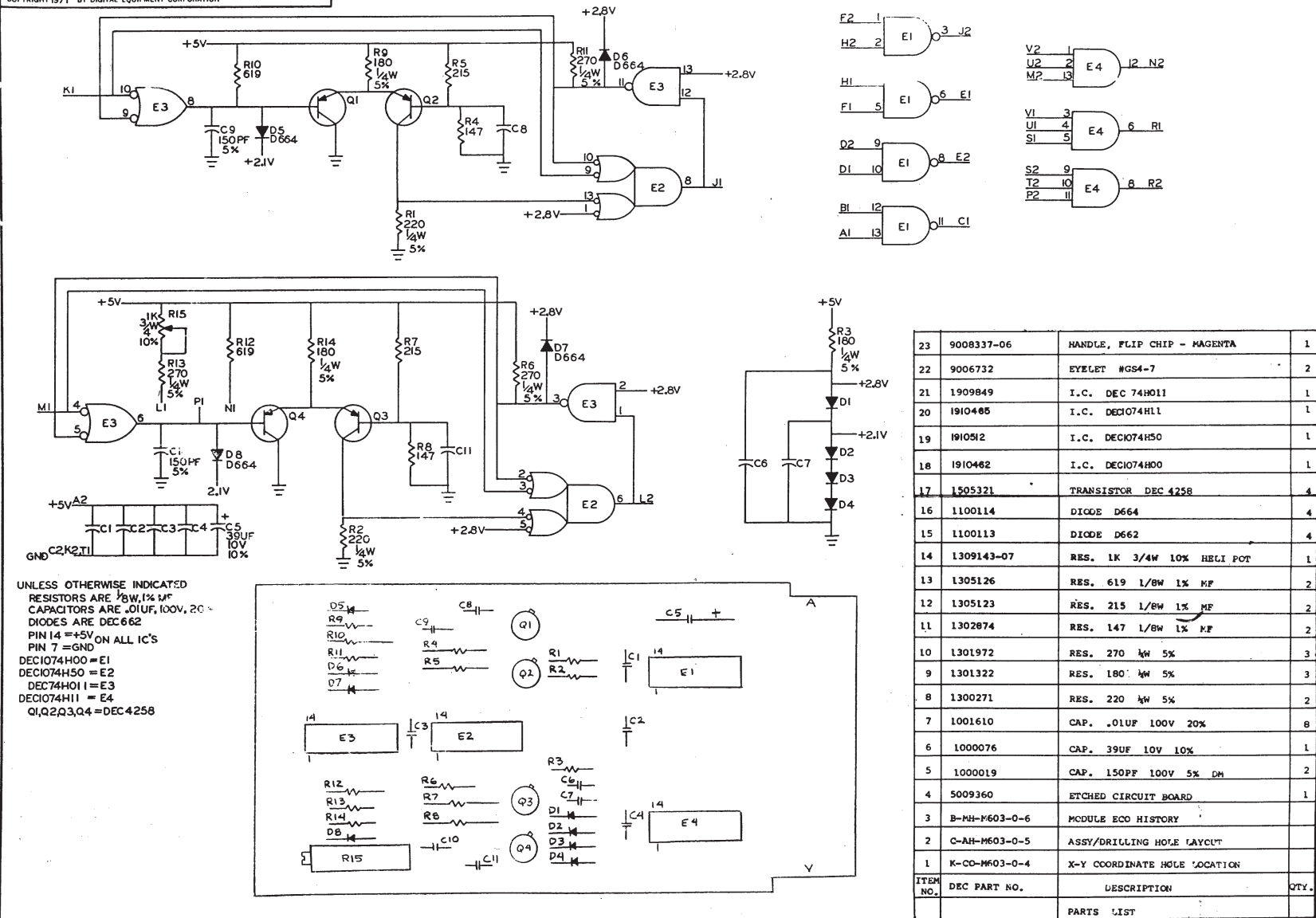


THIS SCHEMATIC IS FURNISHED ONLY FOR TEST AND MAINTENANCE PURPOSES. THE CIRCUITS ARE PROPRIETARY IN NATURE AND SHOULD BE TREATED ACCORDINGLY. COPYRIGHT 1971 BY DIGITAL EQUIPMENT CORPORATION



UNLESS OTHERWISE INDICATED
 RESISTORS ARE 1/8W, 1% MF
 CAPACITORS ARE .01UF, 100V, 20%
 DIODES ARE DEC 662
 PIN 14 = +5V ON ALL IC'S
 PIN 7 = GND
 DEC1074H00 = E1
 DEC1074H50 = E2
 DEC74H01 = E3
 DEC1074H11 = E4
 Q1, Q2, Q3, Q4 = DEC 4258

ITEM NO.	DEC PART NO.	DESCRIPTION	QTY.
23	9008337-06	HANDLE, FLIP CHIP - MAGENTA	1
22	9006732	EYELET #G54-7	2
21	1909849	I.C. DEC 74H011	1
20	1910485	I.C. DEC1074H11	1
19	1910512	I.C. DEC1074H50	1
18	1910462	I.C. DEC1074H00	1
17	1505321	TRANSISTOR DEC 4258	4
16	1100114	DIODE D664	4
15	1100113	DIODE D662	4
14	1309143-07	RES. 1K 3/4W 10% HELI POT	1
13	1305126	RES. 619 1/8W 1% MF	2
12	1305123	RES. 215 1/8W 1% MF	2
11	1302874	RES. 147 1/8W 1% MF	2
10	1301972	RES. 270 1/4W 5%	3
9	1301322	RES. 180 1/4W 5%	3
8	1300271	RES. 220 1/4W 5%	2
7	1001610	CAP. .01UF 100V 20%	8
6	1000076	CAP. 39UF 10V 10%	1
5	1000019	CAP. 150PF 100V 5% DM	2
4	5009360	ETCHED CIRCUIT BOARD	1
3	B-MH-M603-0-6	MODULE ECO HISTORY	
2	C-AH-M603-0-5	ASSY/DRILLING HOLE LAYOUT	
1	K-CO-M603-0-4	X-Y COORDINATE HOLE LOCATION	
PARTS LIST			

DEC FORM NO. DRC 102

DRN. R.J. DOUCETTE	DATE 3-3-71	TRANSISTOR & DIODE CONVERSION CHART			TITLE PA MODULE	
CHKD. 3-21-71	DATE 3-4-71	DEC	EIA		SIZE C	CODE CS
ENGR. J.E. JONES	DATE 3-4-71	D664	1N3605	EQUIPMENT CORPORATION	PRINTED CIRCUIT REV	REV. B
PROD.	DATE	D662	1N645	MAYNARD, MASSACHUSETTS		
		DEC 4258	2N4258			