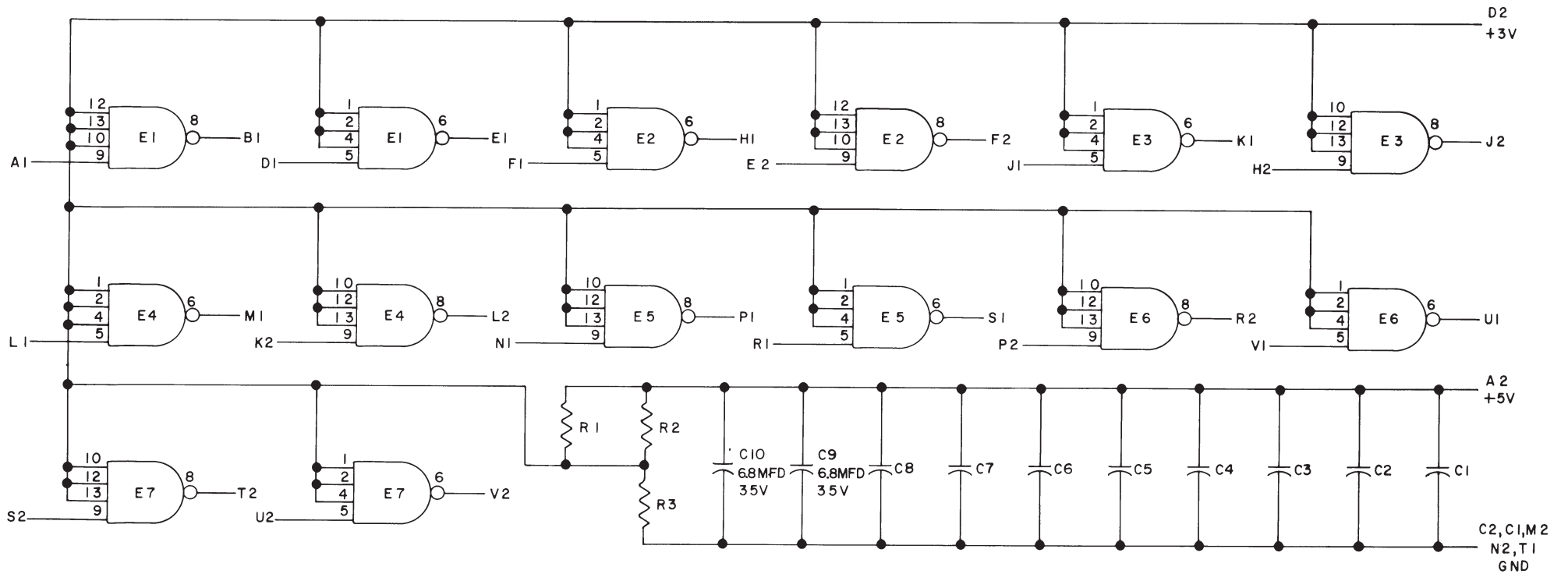


THIS SCHEMATIC IS FURNISHED ONLY FOR TEST AND MAINTENANCE PURPOSES. THE CIRCUITS ARE PROPRIETARY IN NATURE AND SHOULD BE TREATED ACCORDINGLY. COPYRIGHT 1969 BY DIGITAL EQUIPMENT CORPORATION



UNLESS OTHERWISE INDICATED
 PIN 7 ON EACH IC = GND
 PIN 14 ON EACH IC = +5V
 IC'S ARE DEC74H40
 CAPACITORS ARE .01MFD 100V
 RESISTORS ARE 220 1/4W 10%

M611-2

REVISIONS	CHK (CHG NO.) REV.	DRN.	DATE	TRANSISTOR & DIODE CONVERSION CHART				TITLE HIGH SPEED POWER INVERTER M611
	00001 B	Butler	5-7-69	DEC	EIA	DEC	EIA	
		CHK'D	DATE					CODE CS
		ENG.	DATE					NUMBER M611-0-1
		PROD.	DATE					REV. B
								PRINTED CIRCUIT REV. A