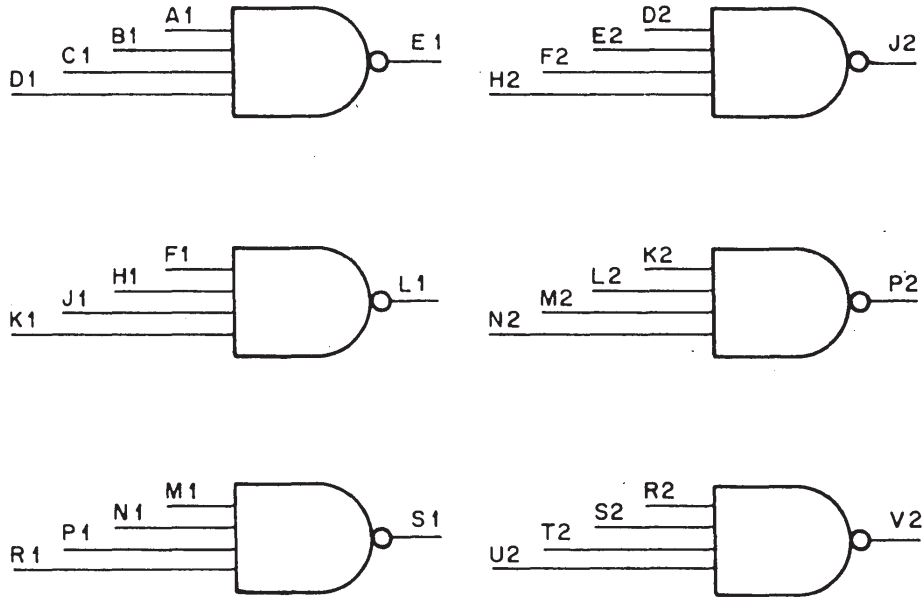


FOUR-INPUT POWER NAND GATE

TYPE M617

M
SERIES



POWER:
← A2 — +5V
← C2, T1 — GRD
+3 VOLTS — U1, V1 → UNUSED INPUTS

M617 POWER NAND GATE

The M617 contains 6 four-input NAND gates each capable of driving up to 30 unit loads. Typical gate propagation delay is 15 nsec. Physical configuration and logical operation are identical to the M117.

Inputs: Each input presents 1 unit load.

Outputs: Each output is capable of driving 30 unit loads.

Power: +5 volts, 52 ma (avg)

M617 — \$27.00