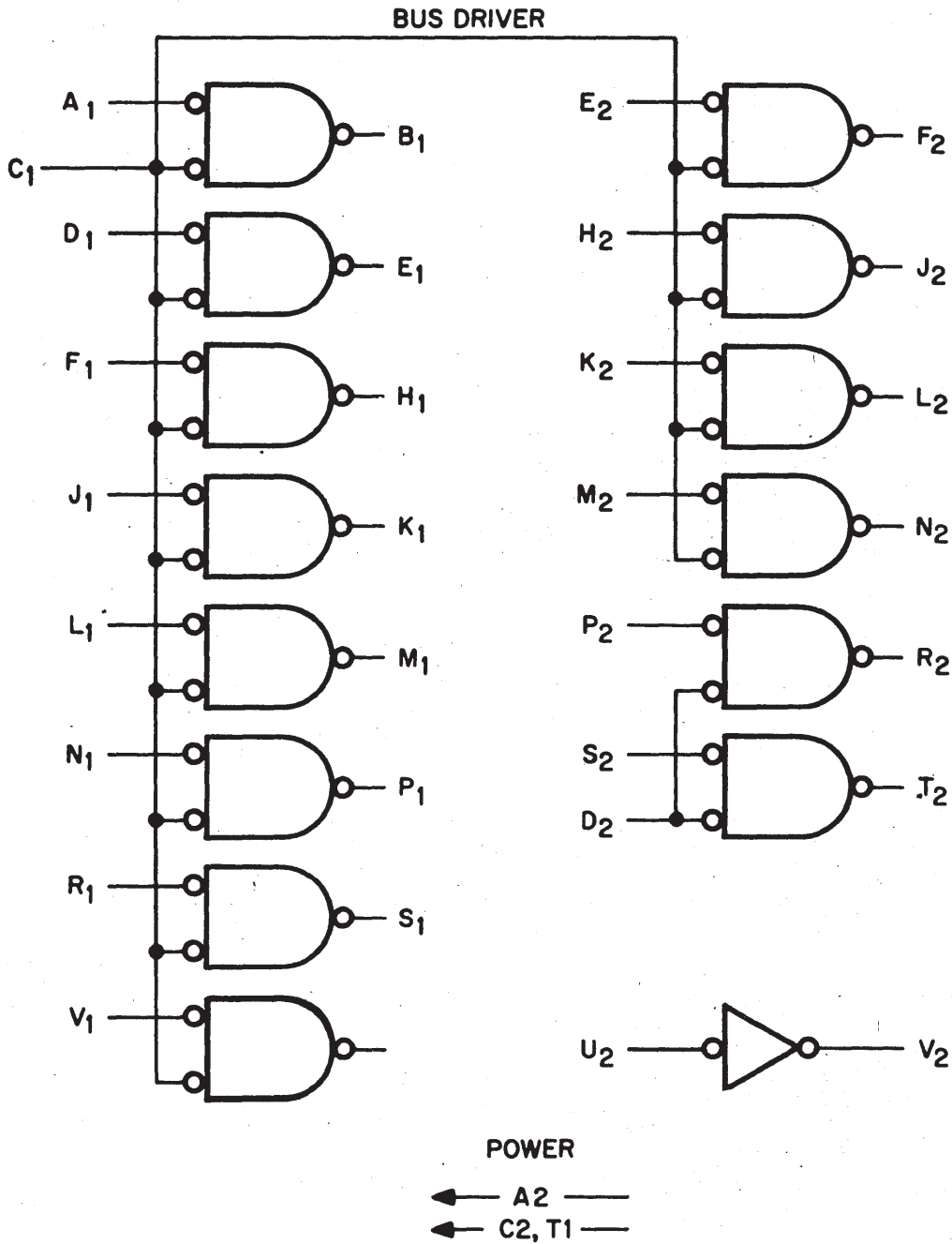


# BUS DRIVER M624

# M SERIES



The M624 contains fifteen bus drivers intended for convenient driving of the positive input bus of either the PDP-8I or PDP-8L. Twelve of the drivers have a common gate line and would be used for DATA. There are three additional drivers, two of which share a common gate line and the third without a gate line. These three additional drivers were intended to accommodate the functions of "Program Interrupt", "IO Skip" and "Clear AC".

**Inputs:** Pin C1 presents 12 TTL unit loads.  
Pin D2 and U2 present two unit loads.  
All other input pins present one unit load.

**Outputs:** All outputs can sink 100 ma. to ground. Voltage applied to the output should be equal to or less than +20 volts. The output consists of an open collector NPN transistor. Output rise and fall TTT are typically 30 nanoseconds when a 100 ma. resistive load to +5.0 volts is connected to a driver output.

**Power:** +5 volts, 89 ma. (max.). (Driver outputs not connected).

**M624 — \$45**