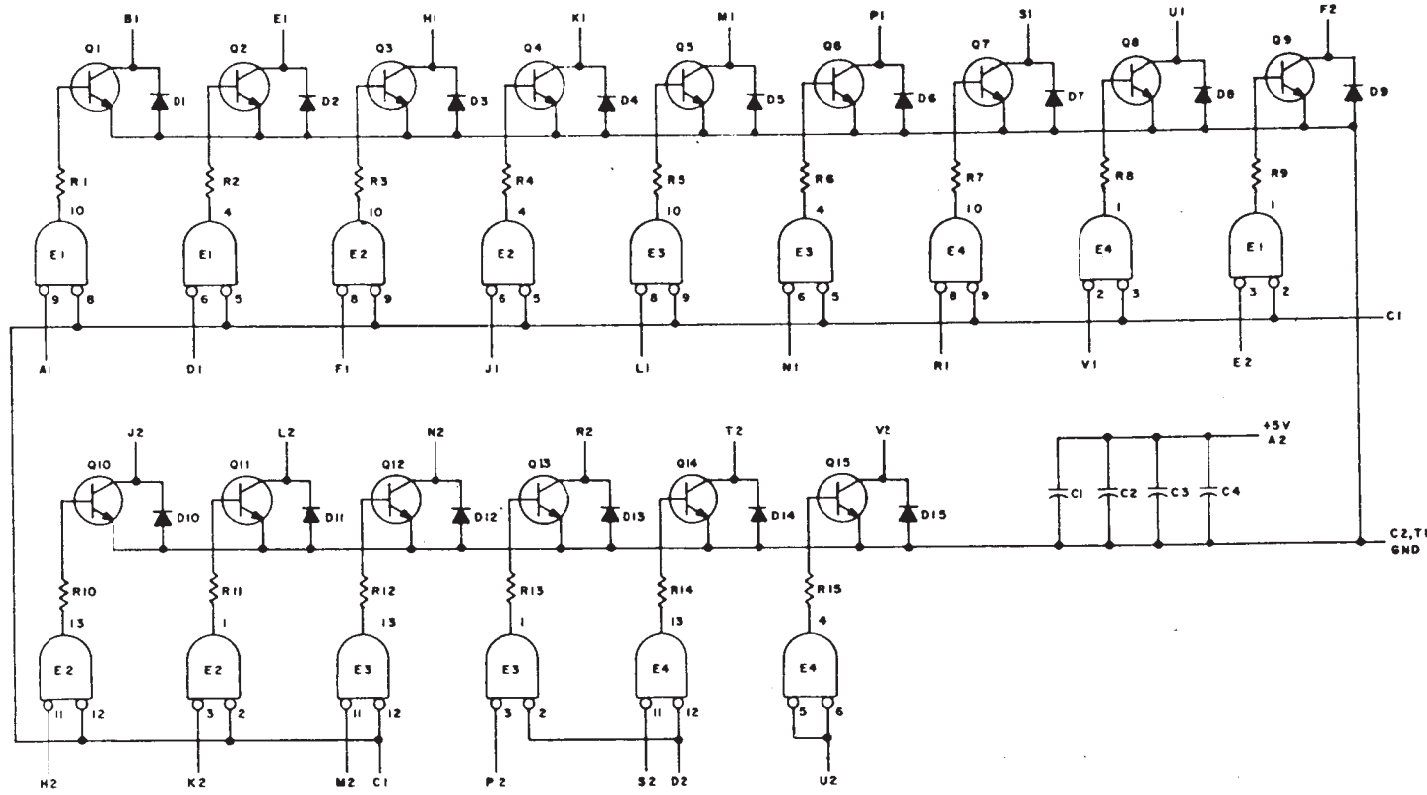


THIS SCHEMATIC IS FURNISHED ONLY FOR TEST AND MAINTENANCE PURPOSES. THE CIRCUITS ARE PROPRIETARY IN NATURE AND SHOULD BE TREATED ACCORDINGLY. COPYRIGHT 1969 BY DIGITAL EQUIPMENT CORPORATION.



NOTES
PIN7 ON EACH IC = GND
PIN14 ON EACH IC = +5V

E1-E4	INTEGRATED CKT DEC7402N	1309004
Q1-Q15	TRANSISTOR DEC 3009B-S	1303100
R1-R15	RES 390 1/4W 5% CC	1303039
D1-D15	DIODE D664	1100114
C1-C4	CAP .01 MFD 100V 20% DISC	1001610
PARTS LIST		A-PL-M624-0-0
REFERENCE DESIGNATION	DESCRIPTION	PART NO
PARTS LIST		

REVISIONS AND
DATE

DATE	8-7-69
DATE	7-20-69
DATE	4/2/69

TRANSISTOR & DIODE CONVERSION CHART			
DEC	EIA	DEC	EIA
D664	1N3008	2N3008	
DEC3009B	2N3009		

digital
EQUIPMENT
CORPORATION
MAYNARD, MASSACHUSETTS

TITLE: BUS DRIVER
M624

SIZE: C CODE: CS NUMBER: M624-0-1

PRINTED CIRCUIT REV: A

DIST. 324,414 435 PINK

REV. NUMBER
C CS M624-0-1