

2.17 M632 NEGATIVE DRIVER MODULE

The M632 is an M-series single-height module containing eight driver circuits (see Figures 2-32, 2-33, and 2-34). It accepts positive logic signals and converts them to negative logic levels.

Each driver consists of a TTL input gate and a negative open-collector output driver clamped to ground and -3V.

Inputs:	Standard TTL levels – input current load at 0V is 1.25 units.
Outputs:	Outputs are standard negative logic levels.
	Risetime: 15 ns
	Falltime: 15 ns with 1.5 kΩ to -15V at output
Input/Output Delay:	50 ns max
Power Dissipation:	600 mW from -15V max 900 mW from +5V max
Application:	The M632 is used to convert positive logic signals to negative logic levels that drive the PDP-9 negative I/O bus. The M632 is pin compatible with the M622.

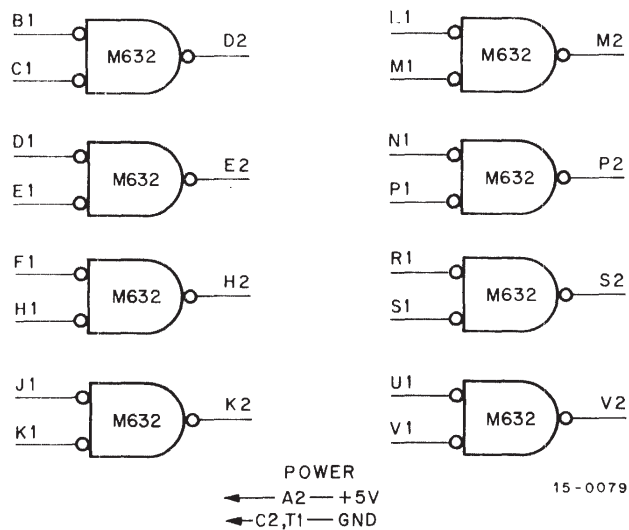


Figure 2-32 Negative Driver, Block Schematic