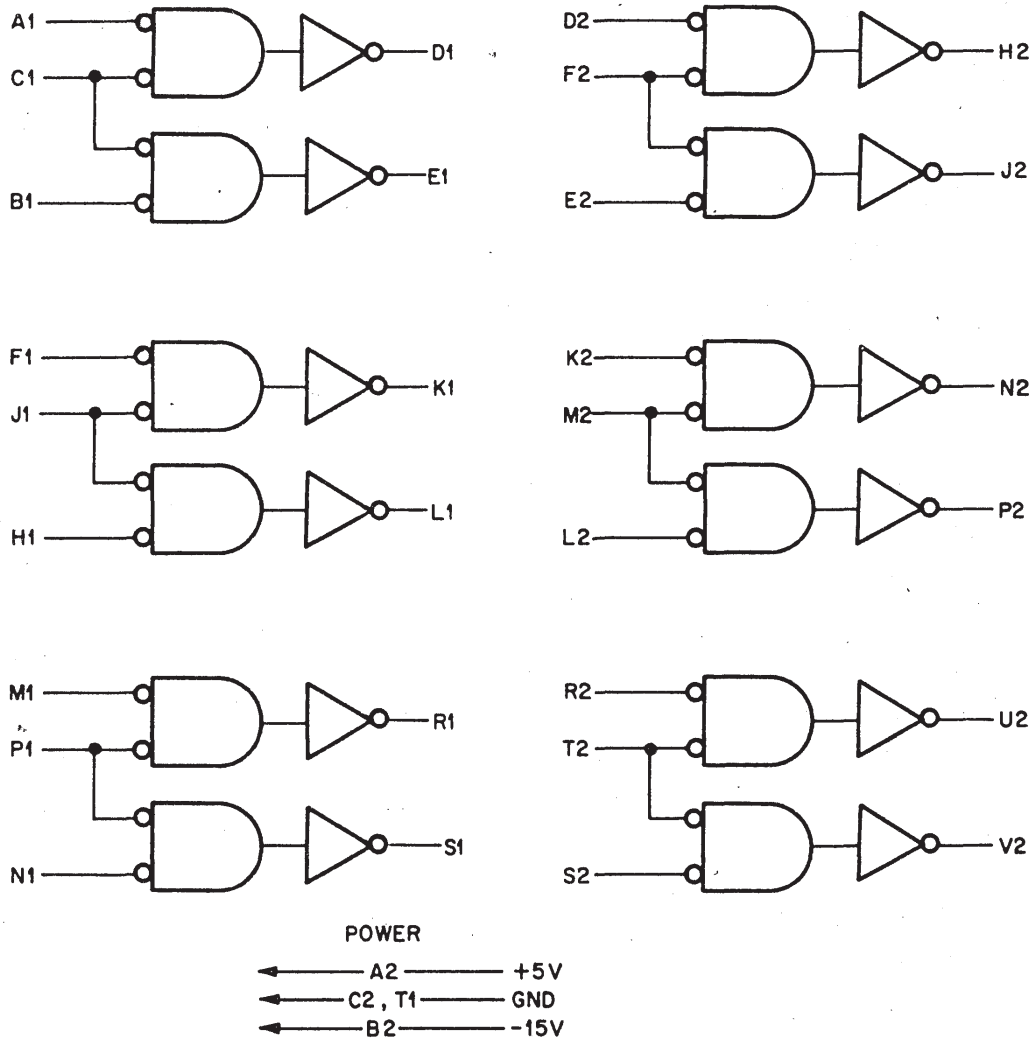


NEGATIVE BUS DRIVER M633

M SERIES



The M633 contains twelve bus drivers intended for convenient driving of the negative bus of the PDP-8, PDP-8/i. Each driver consists of an open collector PNP transistor. It is pin compatible with the M623 positive voltage bus driver.

Inputs: Input levels are standard TTL levels. Data inputs A1, B1, F1, H1, M1, N1, D2, E2, K2, L2, R2 and S2. Each present one TTL unit load. All other inputs represent two unit loads.

Outputs: Open collector PNP transistor capable of supplying 20 ma. from ground. Voltage applied to the output should not exceed -6 volts.

Conversion: Logic Diagram: An active voltage is a True State, i.e., -3 v. or $+3$ v. = "1.". A ground is a True State. Grounded inputs will yield grounded outputs.

Propagation Delay: 40 nsec. typ.

Power: $+5$ volts at 100 ma. (max.); -15 volts at 40 ma. (max.)