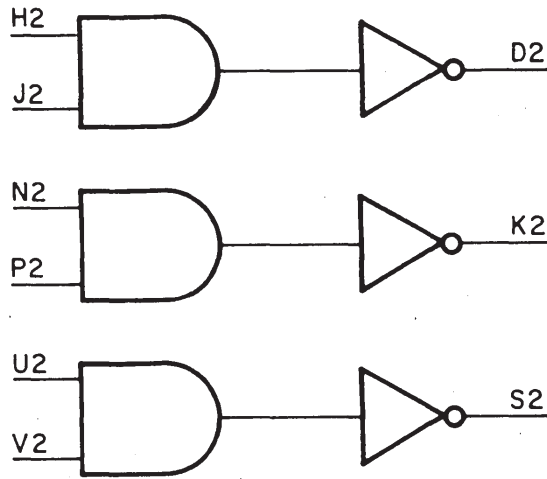
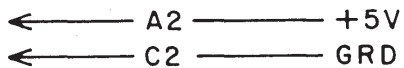


# POSITIVE LEVEL DRIVER M660

## M SERIES



POWER



+3 IN => 0 OUT  
0 IN => +3 OUT

The M660 Cable Driver consists of three circuits each of which will drive 100 ohm terminated cable with M Series levels or pulses whose duration is greater than 100 nsec.

**Inputs:** Each input represents 1 unit load.

**Outputs:** M Series logic levels with 50 ma. drive current at logic "1" or "0".

**Power:** +5v, 71 ma. (max.)

M660 — \$25