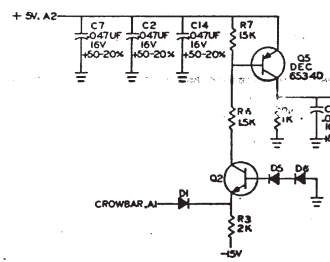
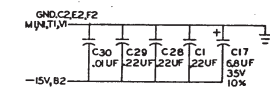
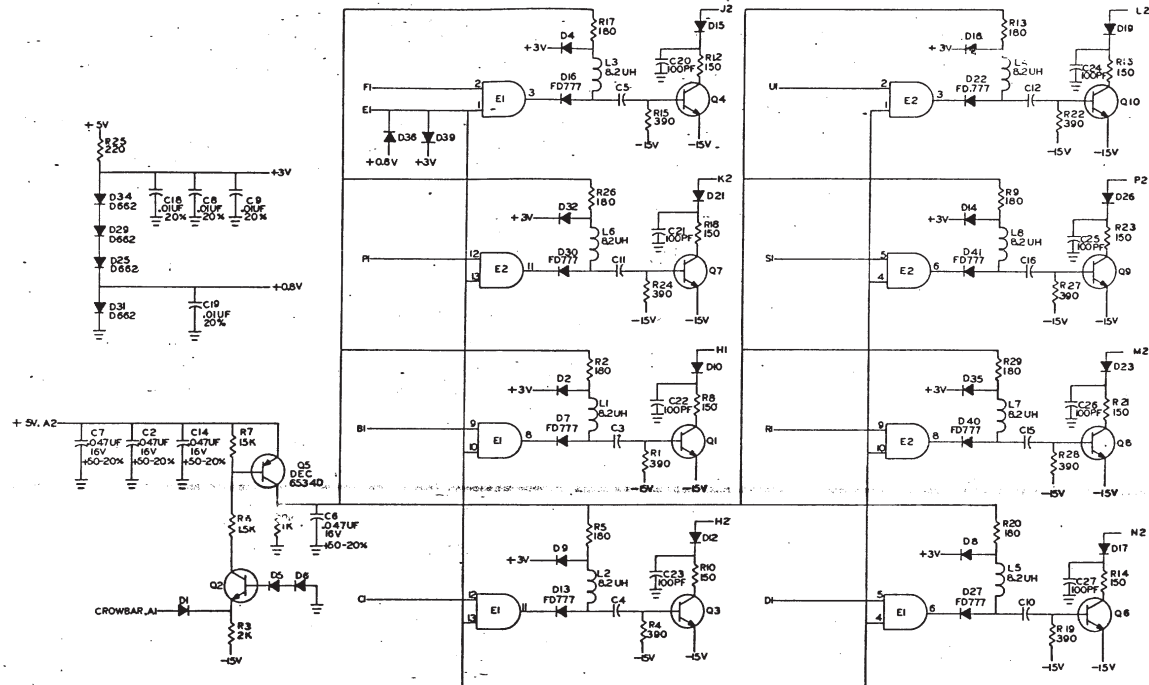
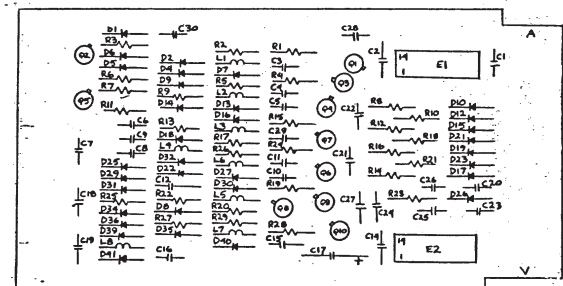


THIS SCHEMATIC IS FURNISHED ONLY FOR TEST AND MAINTENANCE PURPOSES. THE CIRCUITS ARE PROPRIETARY IN NATURE AND SHOULD BE TREATED ACCORDINGLY. COPYRIGHT 1971, BY DIGITAL EQUIPMENT CORPORATION.

0-599W SC | Q
MAY 71 1003 2/76



UNLESS OTHERWISE INDICATED:
DIODES = D664
RESISTORS = 1/4W, 5%
TRANSISTORS = DEC3009B
E1 E2 = DEC3001
PN 7 = GND ON ALL IC'S
PN14 = +5V
CAPACITORS = 180PF, 100V, 5%



ITEM NO.	QCC PART NO.	DESCRIPTION	QTY.
27	1300250	RES. 150, 1/4, 5%	8
26	9009337-06	HANDLE, FLIP CHIP - MAGENTA	1
25	9006732	EYELET M654-7	2
24	1909514	I.C. DEC 3001	2
23	1610273	INDUCTANCE 8.2 UH	8
22	1503409	TRANSISTOR DEC 6534D	1
21	1503100	TRANSISTOR DEC 3009B	9
20	1302388	RES. 2K, 1/4, 5%	1
19	1301322	RES. 180, 1/4, 5%	8
18	1300496	RES. 15K, 1/4, 5%	1
17	1300391	RES. 1.5K, 1/4, 5%	1
16	1300365	RES. 1K, 1/4, 5%	1
15	1300309	RES. 390, 1/4, 5%	8
14	1300271	RES. 220, 1/4, 5%	1
13	1103041	DIODE FD777	8
12	1100114	DIODE D664	21
11	1100113	DIODE D662	4
10	1010274	CAP. .22UF 50V	3
9	1009678	CAP. .047UF, 16V, +50-20%	4
8	1005306	CAP. 6.8UF, 35V, 10% 2. TANT	1
7	1001610	CAP. .01UF, 100V, 20% DISC	5
6	1000020	CAP. 180PF, 100V, 5%	8
5	1000016	CAP. 100PF, 100V, 5%	8
4	5009408	ETCHED CIRCUIT BOARD	1
3	B-M-7665-0-6	MODULE ECC HISTORY	
2	C-A-7665-0-5	ASSY/DRILLING HOLE LAYOUT	
1	X-CC-7665-0-4	X-Y COORDINATE HOLE LOCATION	

REVISED		DATE		BY		DESCRIPTION	
1	10/1/71	J. J. Sullivan	DEC 3009B	MP66534	DEC 3009B	PN 008	MP66534

TRANSISTOR & DIODE CONVERSION CHART			
QCC	DEC	EM	EM
FD777	FD777	FD777	FD777
D664	D664	D664	D664

DIGITAL EQUIPMENT CORPORATION		TITLE MEMORY BUS TRANSMITTER M665	
DATE	REV	DATE	REV
DEC 3009B	1	DEC 3009B	1