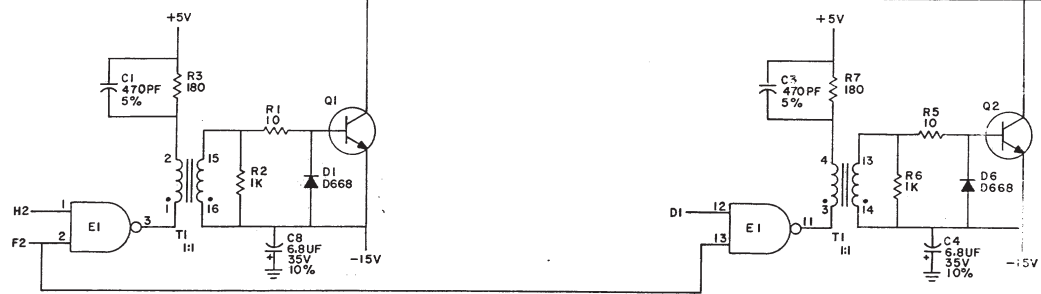
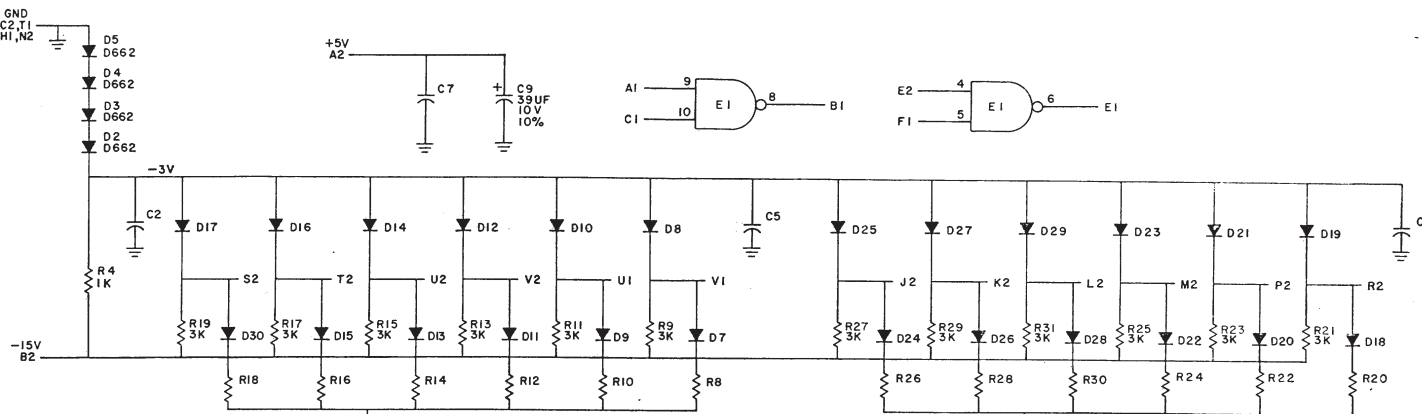
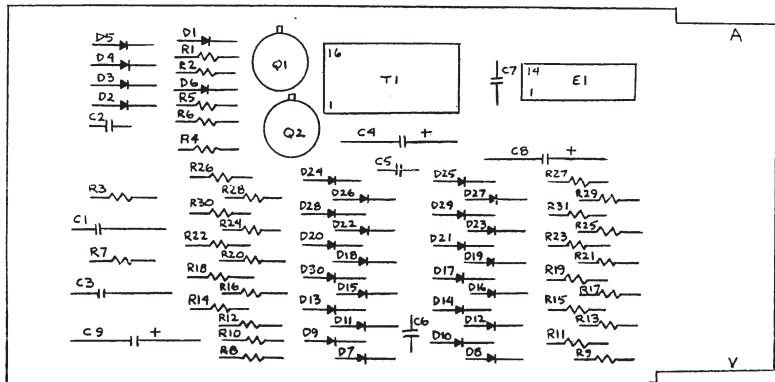


THIS SCHEMATIC IS FURNISHED ONLY FOR TEST AND MAINTENANCE PURPOSES. THE CIRCUITS ARE PROPRIETARY IN NATURE AND SHOULD BE TREATED ACCORDINGLY. COPYRIGHT 1970 BY DIGITAL EQUIPMENT CORPORATION



UNLESS OTHERWISE INDICATED:
 RESISTORS ARE 470, 1/4W, 5%
 CAPACITORS ARE .01UF, 100V, 20%
 TRANSISTORS ARE 2N2222
 DIODES ARE D664
 T1 IS T20 PULSE TRANSFORMER 1609651
 E1 IS DEC1074H00
 PIN 7 = GND
 PIN 14 = +5V



21	9008337-06	HANDLE, FLIP CHIP - MACENTA	1
20	9006732	EYELET #GS 4-7	2
19	1910462	I.C. DEC 1074H00	1
18	1609551	PULSE TRANSFORMER	1
17	1502155	TRANSISTOR D&C 1008	2
16	1301317	RES. 10, 1/4W, 5%	2
15	1300432	RES. 3K, 1/4W, 5%	12
14	1300365	RES. 1K, 1/4W, 5%	3
13	1300310	RES. 470, 1/4W, 5%	12
12	1301322	RES. 180, 1/4W, 5%	2
11	1102161	DIODE D668	2
10	1100114	DIODE D664	2
9	1100113	DIODE D662	2
8	1005306	CAP. 6.8UF, 35V, 10%	2
7	1001610	CAP. .01UF, 100V, 20%	2
6	1000076	CAP. .39UF, 10V, 10% .1 INCH	2
5	1000024	CAP. 470PF, 100V, 5%	2
4	5009266	ETCHED CIRCUIT BOARD	1
3	B-MH-M666-0-6	MOLDED EOC HISTORY	
2	C-AH-M666-0-5	ADS//DIP/SLIM/PILE LABEL	
1	K-CC-M666-0-4	X-Y COORDINATE HOLES LOCATING	
ITEM NO.	DEC PART NO.	DESCRIPTION	QTY

REVISIONS
 1
 2
 3
 4
 5
 6
 7
 8
 9
 10
 11
 12
 13
 14
 15
 16
 17
 18
 19
 20
 21
 22
 23
 24
 25
 26
 27
 28
 29
 30
 31
 32
 33
 34
 35
 36
 37
 38
 39
 40
 41
 42
 43
 44
 45
 46
 47
 48
 49
 50
 51
 52
 53
 54
 55
 56
 57
 58
 59
 60
 61
 62
 63
 64
 65
 66
 67
 68
 69
 70
 71
 72
 73
 74
 75
 76
 77
 78
 79
 80
 81
 82
 83
 84
 85
 86
 87
 88
 89
 90
 91
 92
 93
 94
 95
 96
 97
 98
 99
 100

N 2 (TWO) IN3506 IN SERIES

TRANSISTOR & DIODE CONVERSION CHART	
DEC	EIA
D664	IN3508
D662	IN349
D668	D668 H

digital I.O. BUS RESET M666

EQUIPMENT CORPORATION
 MAYFORD, MASSACHUSETTS

PRINTED CIRCUIT REV. E