

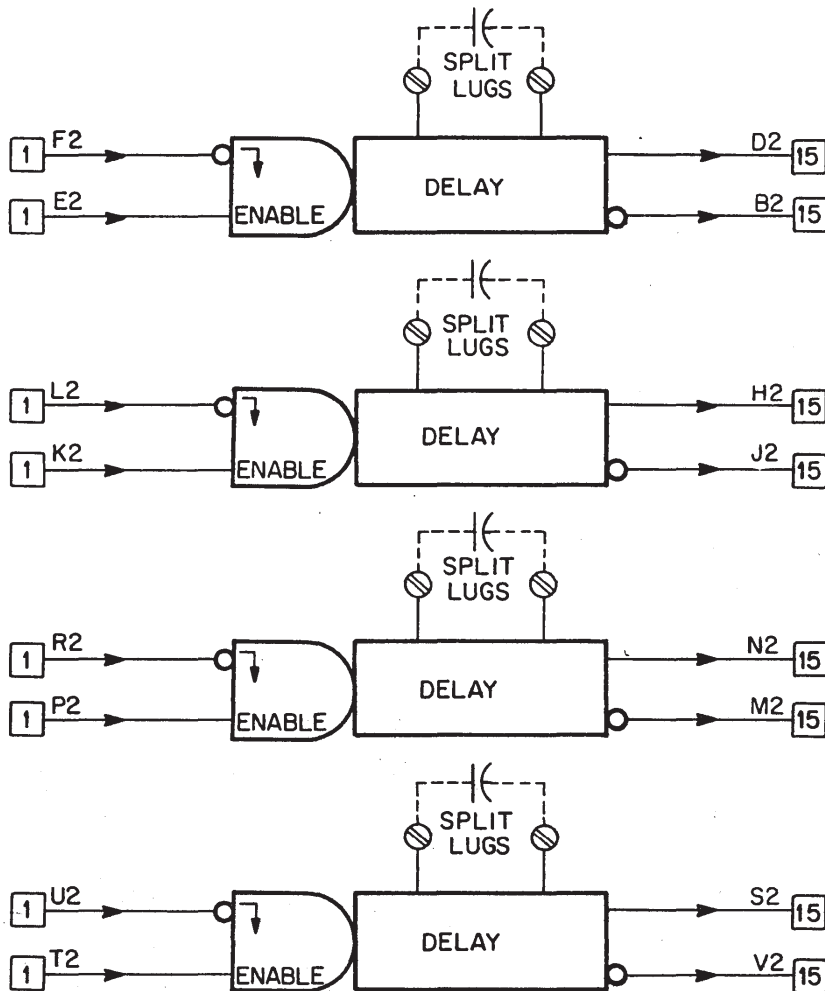
# M671 M TO K CONVERTER

**TIME  
RELATED**

**M SERIES**

**Length:** Standard  
**Height:** Single  
**Width:** Single

**Price:**  
  
**\$52**

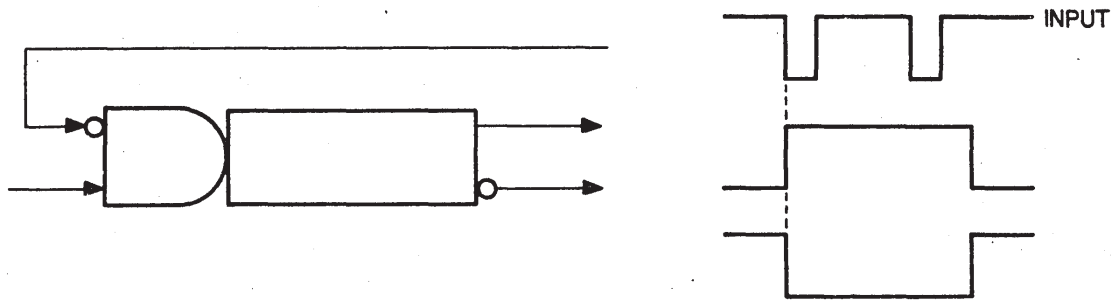


Volts	Power	Pins
+5	mA (max.)	A2
GND	112	C2

The M671 M Series to K Series Converter contains four pulse stretching circuits which can convert an M Series input pulse of duration exceeding 50 ns to complementary K Series output pulses of 10 to 15  $\mu$ s.

### **FUNCTIONS**

**Triggering:** When the ENABLE input is HIGH, the delay is triggered by the negative-going edge of the trigger input pulse:



This circuit is insensitive to input transitions during its timeout period as shown in the example above.

**Increasing Output Pulse Width:** Non-electrolytic capacitors can be connected to the split lugs provided in each circuit if K Series output pulse widths longer than  $15 \mu\text{s}$  are desired. Pulses of up to 40 seconds are possible using this technique. When capacitance is added, the output pulse width is increased by  $6400 C$  seconds where  $C$  is the capacitance added in farads.

**Precautions:** Unused inputs should be connected to logic levels that will hold them in their unasserted states. Unused inputs that would be asserted High should be grounded. Unused inputs that would be asserted Low should be connected to a source of logic High. Also refer to "Unused Inputs" in the alphabetical index.

#### SPECIFICATIONS

**Output drive:** Each output is capable of driving a 15 mA load.