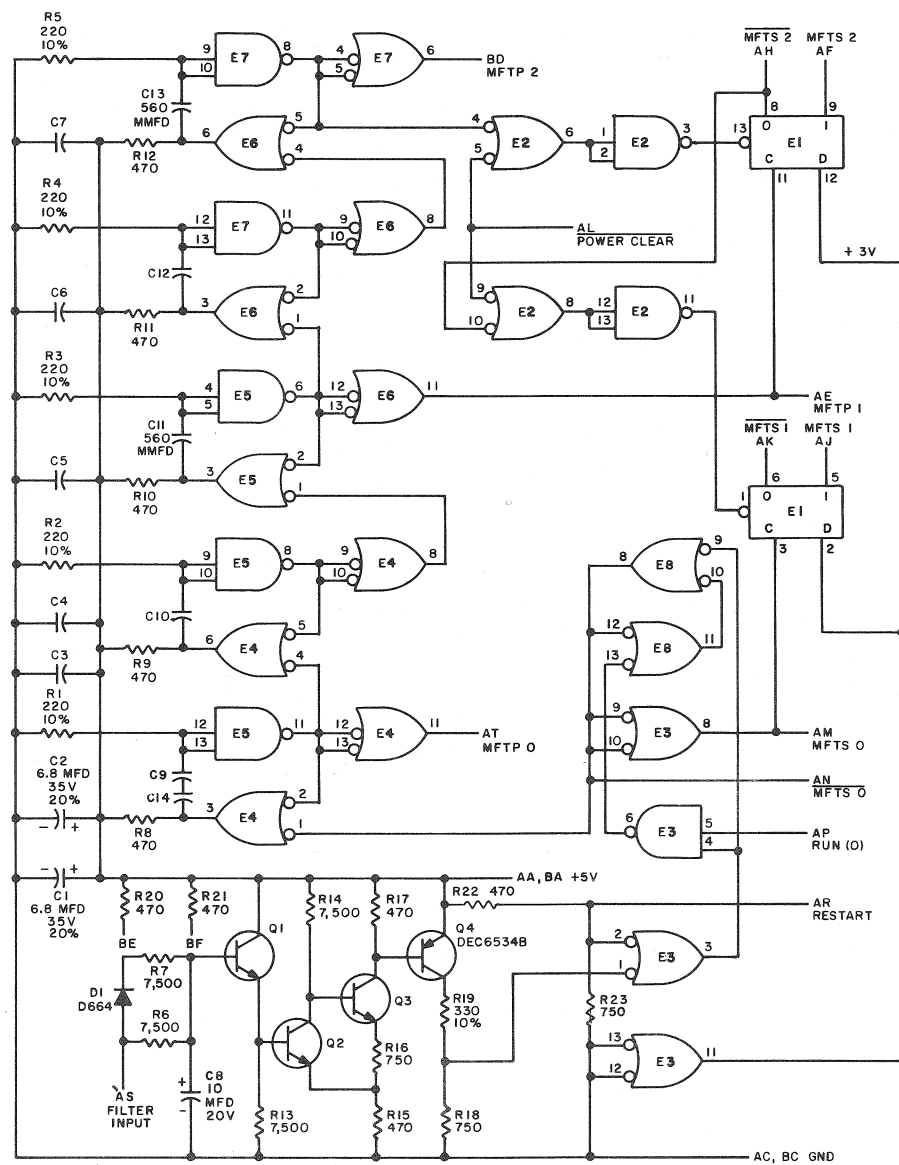


THIS SCHEMATIC IS FURNISHED ONLY FOR TEST AND MAINTENANCE PURPOSES. THE CIRCUITS ARE PROPRIETARY IN NATURE AND SHOULD BE TREATED ACCORDINGLY. COPYRIGHT 1967 BY DIGITAL EQUIPMENT CORPORATION



UNLESS OTHERWISE INDICATED:  
 TRANSISTORS ARE DEC3009B  
 CAPACITORS ARE .01 MFD  
 RESISTORS ARE 1/4W, 5%  
 E1 IS DEC7474M  
 E2, E3, E4, E5, E6, E7, E8 ARE DEC7400N  
 PIN 7 ON EACH IC = GND  
 PIN 14 ON EACH IC = +5V

PARTS LIST A-PL-M700-0-0

REVISIONS	CHK'D	NO.	REV.
1	W	000011	A
2	W	000011	B
3	W	000021	B

DRN	DATE
W. Waller	4-27-67
W. Waller	5/5/67
W. Waller	5/5/67
W. Waller	2-8-68

TRANSISTOR & DIODE CONVERSION CHART			
DEC	EIA	DEC	EIA
DEC3009B	2N3009		
DEC6534B	MPS6534		
D664	1N3606		

**digital**  
 EQUIPMENT CORPORATION  
 MAYNARD, MASSACHUSETTS

TITLE		NUMBER		REV.
MANUAL TIMING GENERATOR M700		M700-0-1		B
SIZE	CODE	NUMBER		
C	CS	M700-0-1		
PRINTED CIRCUIT REV.				D

DEC FORM NO. DRC 102

PINK

DATE: 3/24/84 434/435