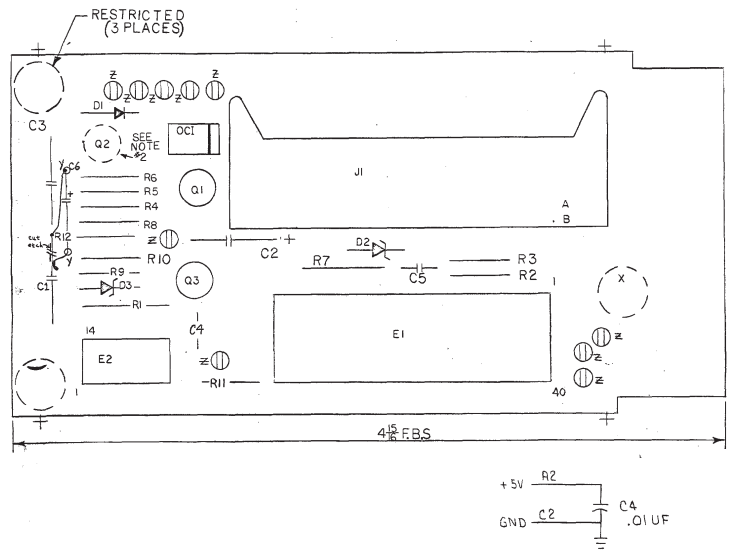




This drawing and specifications herein are the property of Digital Equipment Corporation and shall not be reproduced or copied in whole or in part for any purpose other than that for which it was prepared without the written permission of Digital Equipment Corporation.

**NOTES:**  
 1. Q2 IS A CUSTOMER OPTION, AND SHOULD NOT BE INSERTED ON THE PC BOARD.



QTY	REF DESIGNATION	DESCRIPTION	PART NO.	ITEM NO.
1	R 5	RES 120 1/4W 5%	1300247	29
1	R12	RES 5.6K 1/4W 5%	1301874	25
1	E1	IC 1808 UART	1910459	27
1	E2	IC DEC 7413	1909989	26
1	OC1	OC TTL 10B	1510399	25
2	Q1, Q3	TRANS. DEC. 3009 B	1503100	24
1	R9	RES 820 1/4W 5%	1301175	23
1	R3	RES 750 1/4W 5%	1301401	22
1	R8	RES. 10 1/4W 5%	1301317	21
1	R6	RES. 100 1/4W 5%	1300229	20
1	R10	RES. 2.7K 1/4W 5%	1300426	19
1	R1	RES. 511 1/8W 1%	1302411	18
2	R2, R4	RES. 330 1/4W 5%	1300295	17
1	R7	RES. 330 1/2W 10%	1300294	16
1	R11	RES. 150 1/4W 5%	1300250	15
1	J1	CONN. 40 PIN BERG	1209941	14
1	D2	DIODE IN 75B	1103116	13
1	D1	DIODE IN 4001	1102942	12
1	D3	DIODE ZENER A25	1101938	11
1	C4, C5	CAP. .01uF 100V 20% DISC.	10-01610	10
1	C1	CAP. 3.9uF 10V 10% S. TANT	10-00064	9
3	C2, C3, C6	CAP. 1 uF 35V 10% S. TANT	10-01776	8
9		SPLIT LUG	9006735	7
				6
				5
1		ETCHED CIRCUIT BOARD	5010078	4
REF		MODULE ECC HISTORY	B-MH-M7011-0-6	3
REF		ASSY/DRILLING HOLE LAYOUT	D-9H-M7011-0-5	2
REF		X-Y COORDINATE HOLE LOC	K-CO-M7011-0-4	1

IC TYPE	3	1
GND		
+5V		

GND AND 5V ARE USUALLY PIN 7 AND 14 RESPECTIVELY. EXCEPTIONS ARE STATED ABOVE.

IC PIN LOCATIONS

FIRST USED ON OPTION MODEL  
M7011

CHK	CHANG. NO.	REV	REVISIONS	ETCH BOARD REV	D	DATE	7-28-72	<p><b>digital</b> EQUIPMENT CORPORATION NATYARD MASSACHUSETTS</p> <p>TITLE SECTIAI TRANSMITTER</p> <p>SCALE NONE SHEET 1 OF 2</p>
						DATE	7-28-72	
						DATE	7-28-72	
						DATE	7-28-72	
								<p>DEC. NO. EIA NO. DEC. NO. EIA NO.</p> <p>SEMICONDUCTOR CONVERSION CHART</p>