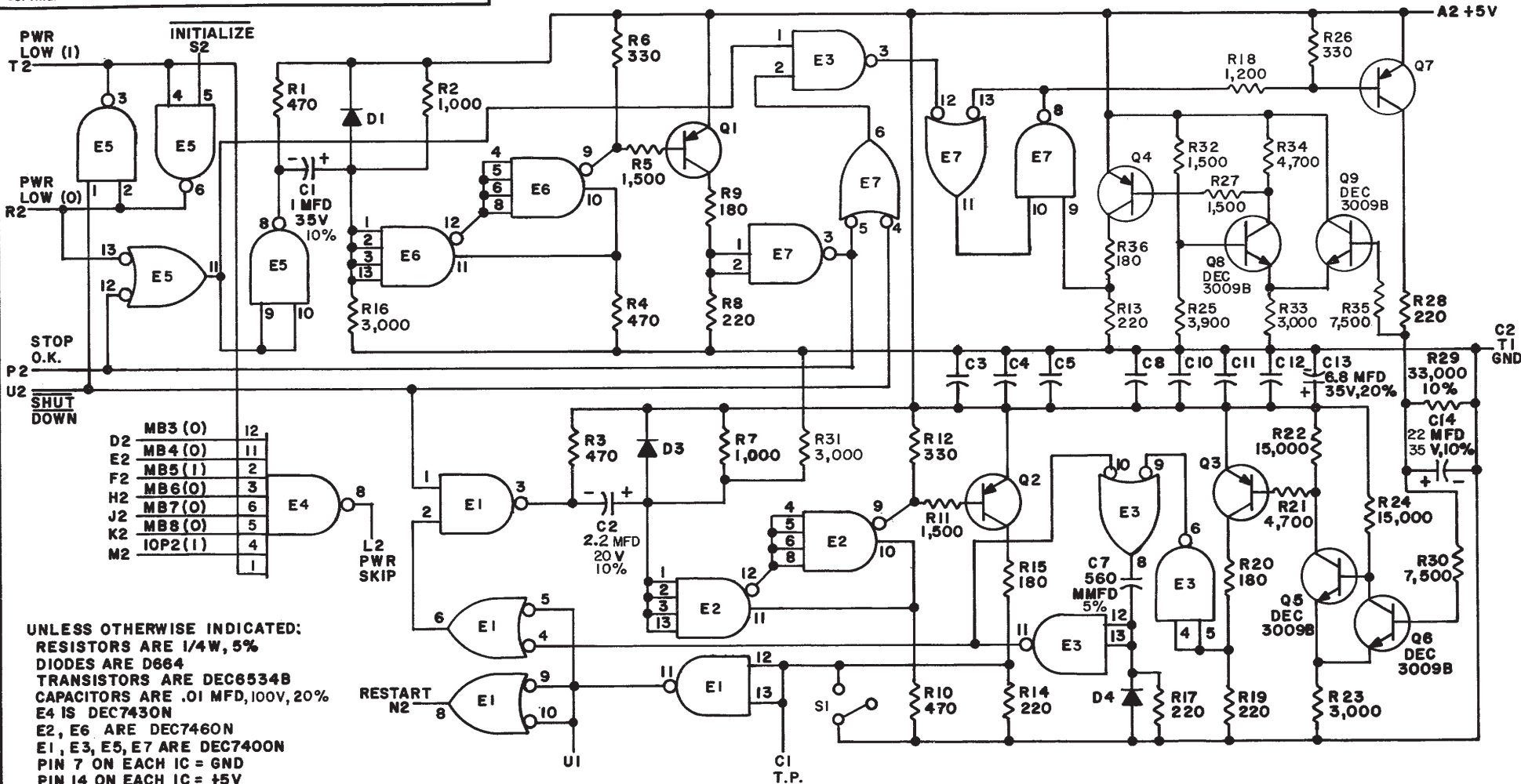


THIS SCHEMATIC IS FURNISHED ONLY FOR TEST AND MAINTENANCE PURPOSES. THE CIRCUITS ARE PROPRIETARY IN NATURE AND SHOULD BE TREATED ACCORDINGLY. COPYRIGHT 1967 BY DIGITAL EQUIPMENT CORPORATION



D2	MB3 (O)	12
E2	MB4 (O)	11
F2	MB5 (I)	2
H2	MB6 (O)	3
J2	MB7 (O)	6
K2	MB8 (O)	5
M2	IOP2 (I)	4

UNLESS OTHERWISE INDICATED:  
 RESISTORS ARE 1/4W, 5%  
 DIODES ARE D664  
 TRANSISTORS ARE DEC6534B  
 CAPACITORS ARE .01 MFD, 100V, 20%  
 E4 IS DEC7430N  
 E2, E6 ARE DEC7460N  
 E1, E3, E5, E7 ARE DEC7400N  
 PIN 7 ON EACH IC = GND  
 PIN 14 ON EACH IC = +5V  
 S1 IS SWITCH #6ATI-T2

PARTS LIST A-PL-M703-0-0

REVISIONS	CHK	CHG NO.	REV.	C	D	E	F	J
	6617							
	7148							
	7125							
	7185							
	00001							
	00004							

DRN.	M. Keller	DATE	9-27-67
CHK'D		DATE	
ENG.		DATE	
PROD.	2	DATE	

TRANSISTOR & DIODE CONVERSION CHART			
DEC		EIA	
DEC6534B		MPS6534	
D664		IN3606	
DEC3009B		2N3009	

**digital**  
 EQUIPMENT CORPORATION  
 MAYNARD, MASSACHUSETTS

TITLE			
POWER FAIL M703			
SIZE	CODE	NUMBER	REV.
B	CS	M703-0-1	J
PRINTED CIRCUIT REV.			
J			

DIST 324 434 435 PINK