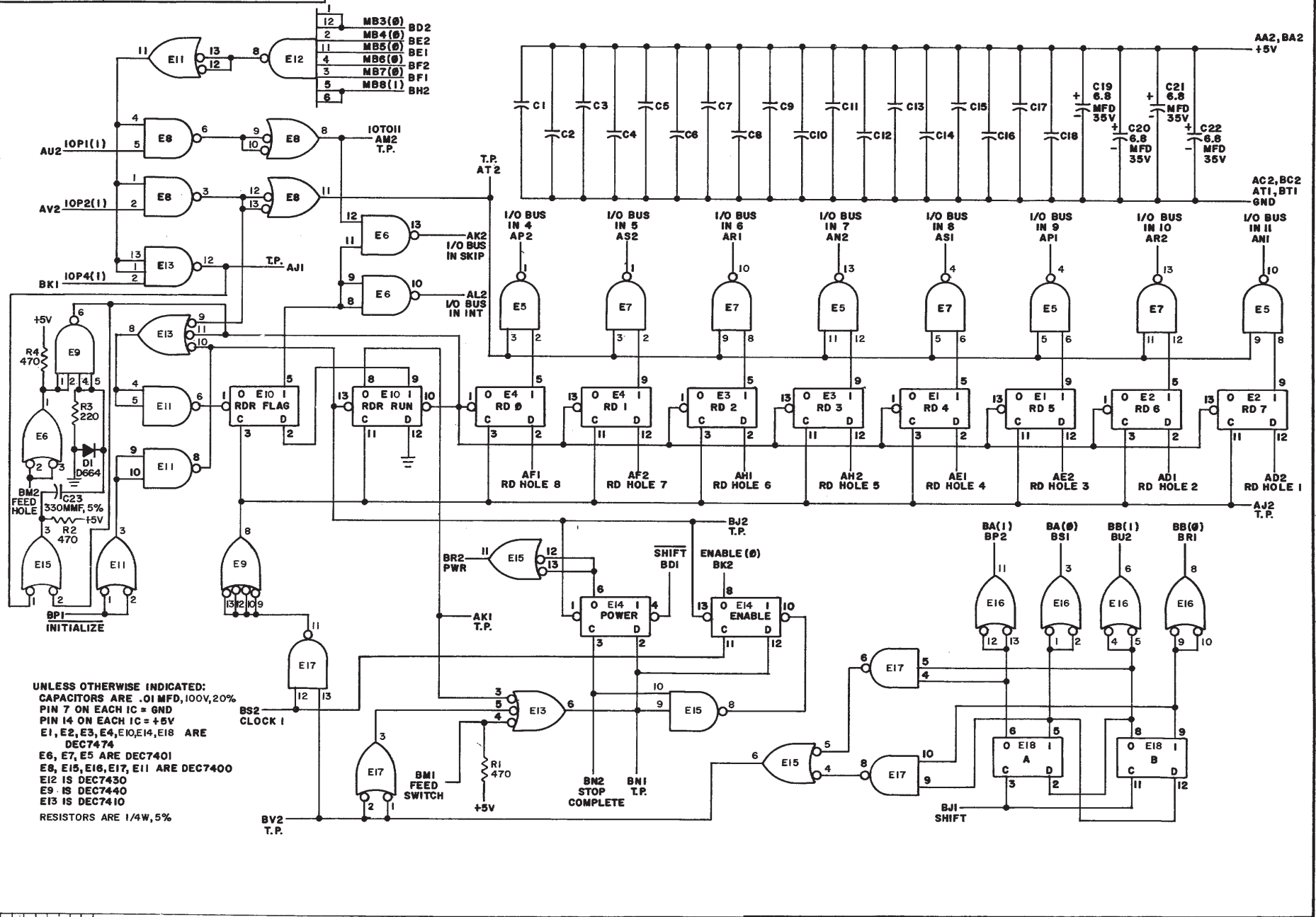


THIS SCHEMATIC IS FURNISHED ONLY FOR TEST AND MAINTENANCE PURPOSES. THE CIRCUITS ARE PROPRIETARY IN NATURE AND SHOULD BE TREATED ACCORDINGLY. COPYRIGHT 1967 BY DIGITAL EQUIPMENT CORPORATION



UNLESS OTHERWISE INDICATED:  
 CAPACITORS ARE .01 MFD, 100V, 20%  
 PIN 7 ON EACH IC = GND  
 PIN 14 ON EACH IC = +5V  
 E1, E2, E3, E4, E10, E14, E18 ARE DEC7474  
 E6, E7, E5 ARE DEC7401  
 E8, E15, E16, E17, E11 ARE DEC7400  
 E12 IS DEC7430  
 E9 IS DEC7440  
 E13 IS DEC7410  
 RESISTORS ARE 1/4W, 5%

REV. J  
 NUMBER  
 SIZE CODE M705-0-1  
 C CS

REV.	CHG. NO.	REV.
0001	B	0001
0002	C	0002
0003	D	0003
0004	E	0004
0005	F	0005

DRN <i>Dr. Waller</i>	DATE 10-6-67
CHK'D	DATE
ENG. <i>CS</i>	DATE
PROD. 2	DATE

TRANSISTOR & DIODE CONVERSION CHART			
DEC	EIA	DEC	EIA
D664	1N645		

**digital** READER CONTROL M705

EQUIPMENT CORPORATION

SIZE	CODE	NUMBER	REV.
C	CS	M705-0-1	J

PRINTED CIRCUIT REV. J