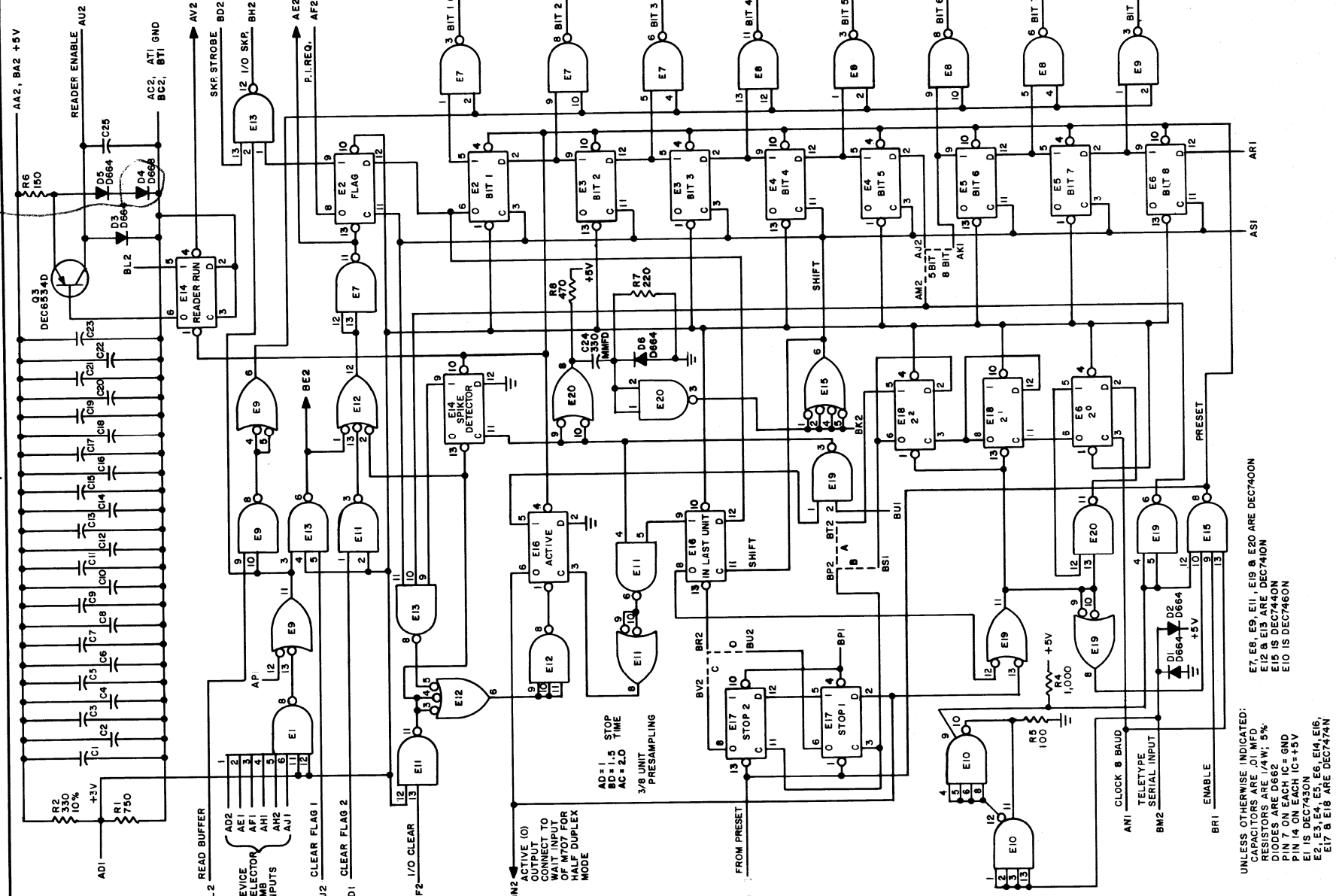


change 6886 2-7664

THIS SCHEMATIC IS FURNISHED ONLY FOR TEST AND MAINTENANCE PURPOSES. THE CIRCUITS ARE PROPRIETARY IN NATURE AND SHOULD BE TREATED ACCORDINGLY. COPYRIGHT 1967 BY DIGITAL EQUIPMENT CORPORATION



REV	CHG	NO	REV
1		1338	A
2		5378	B

OR	DATE	TRANSISTOR & DIODE CONVERSION CHART	TITLE
M. Keller	5-30-67	DEC EIA	TELETYPE RECEIVER M706
W. Johnson	6/2/67	DEC 3009B 2N5009	
W. Johnson	6/2/67	DEC 8934B M56834	
W. Johnson	6-2-67	D642 1N545	
W. Johnson	6-2-67	D644 1N5606	

SIZE	CODE	NUMBER	REV
C	CS	M706-0-1	B

UNLESS OTHERWISE INDICATED:  
 CAPACITORS ARE .01 MFD  
 RESISTORS ARE 1/4 W; 5%  
 DIODES ARE D662  
 PIN 7 ON EACH IC = GND  
 PIN 14 ON EACH IC = +5V  
 E1, E2, E3, E4, E5, E6, E14, E15, E17, E18 ARE DEC7474N  
 E7, E8, E9, E11, E19 & E20 ARE DEC7400N  
 E12 & E13 ARE DEC7410N  
 E15 IS DEC7440N  
 E10 IS DEC7460N

DEC FORM NO. DRC 102

SIZE CODE NUMBER REV  
 C CS M706-0-1 B