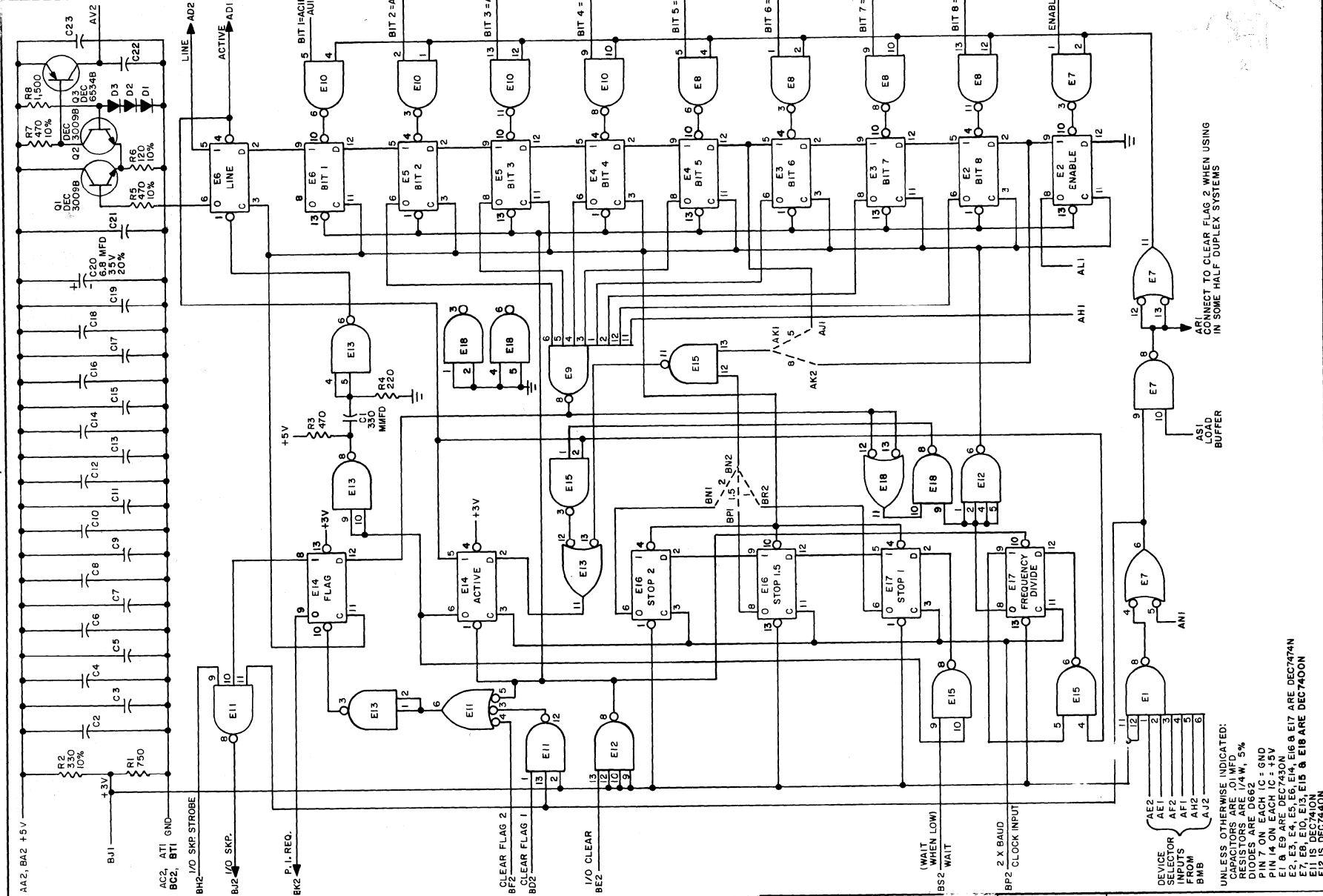


THIS SCHEMATIC IS FURNISHED ONLY FOR TEST AND MAINTENANCE PURPOSES. THE CIRCUITS ARE PROPRIETARY IN NATURE AND SHOULD BE TREATED ACCORDINGLY. COPYRIGHT 1967 BY DIGITAL EQUIPMENT CORPORATION



REVISIONS	CHK	CRS	NO.	REV.
1	6.5.87	A		
2	6.5.79	B		

AA2, BA2 + 5V	AC2, AT1 GND	BH2 I/O SKP. STROBE	Bu2 I/O SKP.	Ek2 P.I. REQ.	CLEAR FLAG 2	BF2 CLEAR FLAG 1	BD2	I/O CLEAR	BE2
---------------	--------------	---------------------	--------------	---------------	--------------	------------------	-----	-----------	-----

DRN.	DATE	TRANSISTOR & DIODE CONVERSION			
M. Waller	5-19-67	DEC	EIA	DEC	EIA
CHK'D	DATE	D662	IN645		
W. Roberts	5-23-67	DEC3009B	2N3009		
PRD.	DATE	DEC6534B	MPS6534		

AE2	AE1	AF1	AF2	AH2	AJ2
DEVICE SELECTOR	INPUTS FROM	BMB			

UNLESS OTHERWISE INDICATED: CAPACITORS ARE 10% MFD, 5% TOLERANCE. DIODES ARE 0662. PIN 7 ON EACH IC = GND. PIN 14 ON EACH IC = +5V. E1, E9 ARE DEC7430N. E2, E3, E4, E5, E14, E16, E17 ARE DEC7474N. E7, E8, E15, E18 ARE DEC7400N. E12 IS DEC7430N.

TELETYPE TRANSMITTER M707

digital EQUIPMENT CORPORATION MAYNARD, MASSACHUSETTS

SIZE: C CS M707-0-1

REV. B