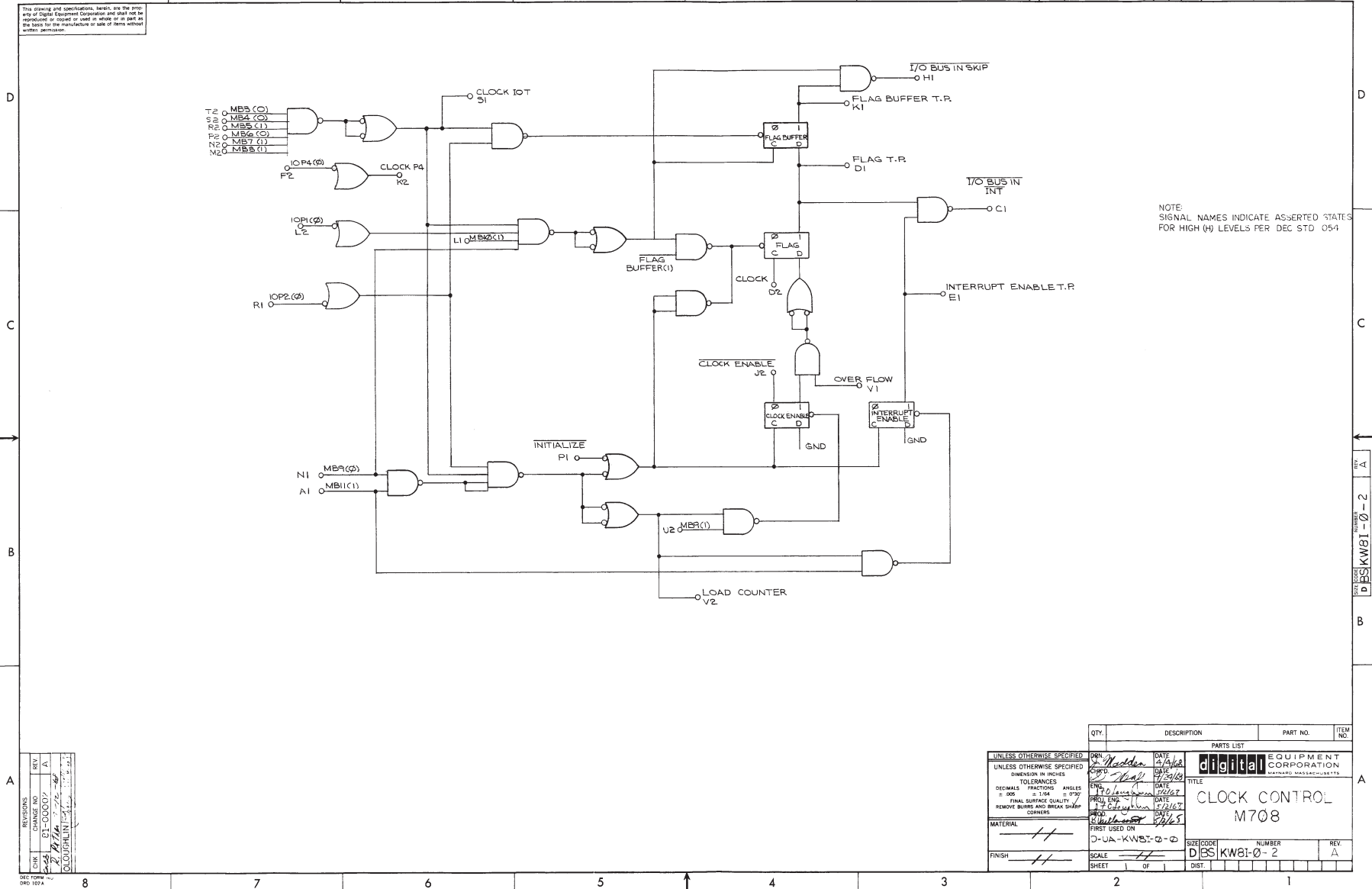


The drawing and specifications herein are the property of Digital Equipment Corporation and shall not be reproduced or used in whole or in part as the basis for the manufacture or sale of items without written permission.



NOTE: SIGNAL NAMES INDICATE ASSERTED STATES FOR HIGH (H) LEVELS PER DEC STD 054

REV.	DATE	BY	CHKD.
1	12/11/67	W. J. ...	...
2	1/11/68	...	...

UNLESS OTHERWISE SPECIFIED	DRN. <i>D. Madden</i>	DATE <i>2/14/68</i>
UNLESS OTHERWISE SPECIFIED	ENG. <i>D. Madden</i>	DATE <i>1/11/68</i>
DIMENSIONS IN INCHES	PROJ. ENG. <i>C. J. ...</i>	DATE <i>1/11/68</i>
TOLERANCES	PROJ. ENG. <i>C. J. ...</i>	DATE <i>1/11/68</i>
DIGITALS FRACTIONS ANGLES	PROJ. ENG. <i>C. J. ...</i>	DATE <i>1/11/68</i>
FINAL SURFACE QUALITY	PROJ. ENG. <i>C. J. ...</i>	DATE <i>1/11/68</i>
REMOVE BURRS AND BREAK SHARP CORNERS	PROJ. ENG. <i>C. J. ...</i>	DATE <i>1/11/68</i>
MATERIAL	PROJ. ENG. <i>C. J. ...</i>	DATE <i>1/11/68</i>
FINISH	PROJ. ENG. <i>C. J. ...</i>	DATE <i>1/11/68</i>

QTY.	DESCRIPTION	PART NO.	ITEM NO.
PARTS LIST			
TITLE			
CLOCK CONTROL			
M708			
SIZE CODE	NUMBER	REV.	
BS KW81-0-2		A	
SHEET	1	OF	1