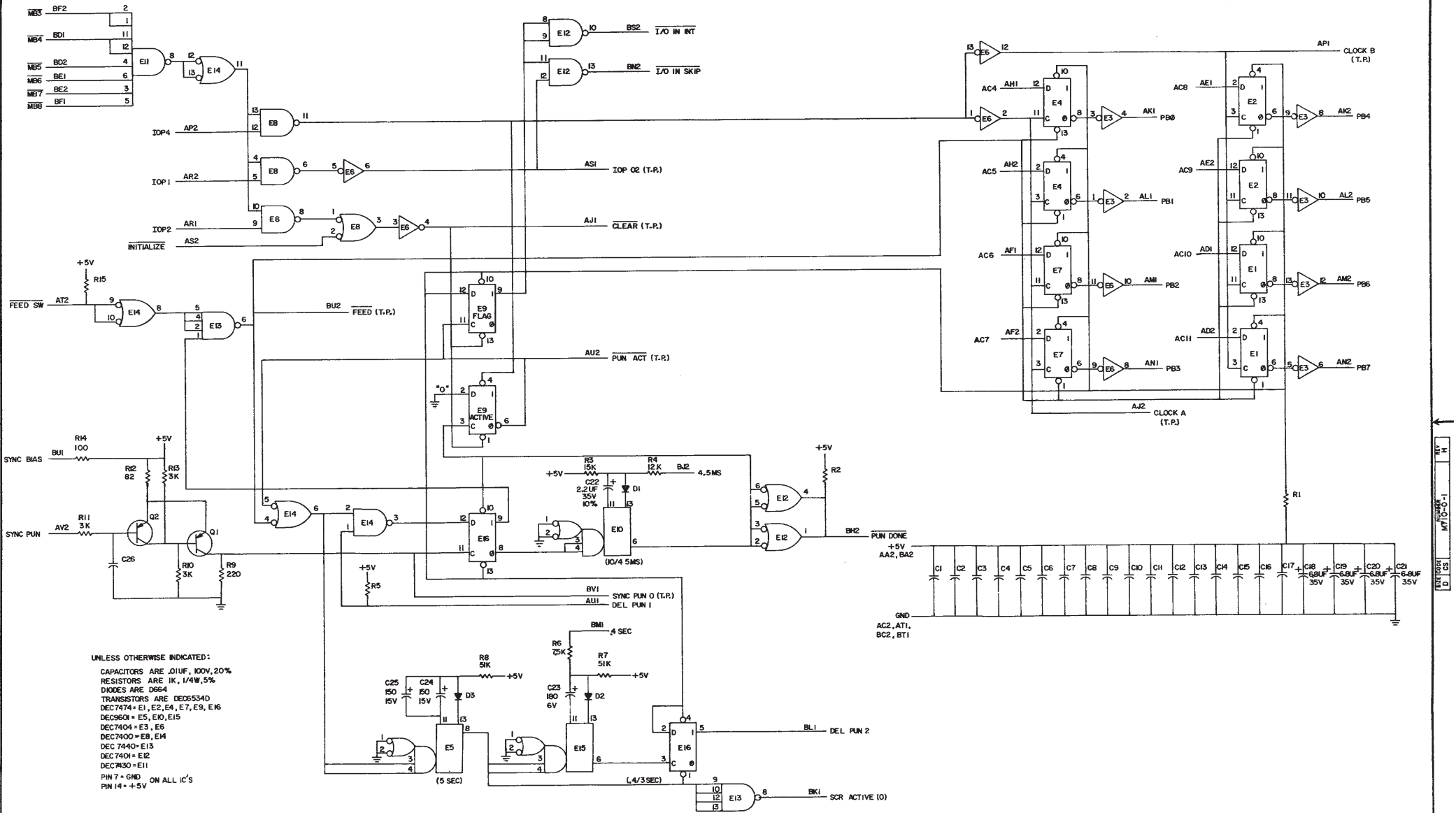


THIS SCHEMATIC IS FURNISHED ONLY FOR TEST AND MAINTENANCE PURPOSES. THE CIRCUITS ARE PROPRIETARY IN NATURE AND SHOULD BE TREATED ACCORDINGLY. COPYRIGHT, 1970, BY DIGITAL EQUIPMENT CORPORATION.



UNLESS OTHERWISE INDICATED:  
 CAPACITORS ARE .01UF, 100V, 20%  
 RESISTORS ARE 1K, 1/4W, 5%  
 DIODES ARE D664  
 TRANSISTORS ARE DEC6534D  
 DEC7474 = E1, E2, E4, E7, E9, E16  
 DEC9601 = E5, E10, E15  
 DEC7404 = E3, E5  
 DEC7400 = E8, E4  
 DEC7440 = E13  
 DEC7401 = E12  
 DEC7430 = E11  
 PIN 7 = GND ON ALL IC'S  
 PIN 14 = +5V

REV	DATE	TRANSISTOR & DIODE CONVERSION CHART				TITLE	SIZE	CODE	NUMBER	REV
		DEC	EA	DEC	EA					
1	1-17-71	DEC	EA	DEC	EA	digital	D	CS	M710-0-1	H
2		DEC6540	NONE							

EQUIPMENT CORPORATION  
 PRINTED CIRCUIT REV.