

# PAGE REVISION CONTROL SHEET

SH NO.	A	B	C	D	E	F	G	H	I	J	K
1	A	B	C	D	E	F	G	H	I	J	K
2	A	B	C	D	E	F	G	H	I	J	K
3	A	A	B	B	B	B	B	B	B	B	B
4	A	A	B	B	B	B	B	B	B	B	B
5	A	A	B	B	B	B	B	B	B	B	B
6	A	A	B	B	B	B	B	B	B	B	B
7	A	B	C	D	E	F	G	H	I	J	K

PAGE REVISIONS

REMARKS

DATE	ENG.	ETCH REV.	ECO NO.
—	—	B	—
11-3-72	AT	B	1
3-20-73	ST	B	2
6-19-73	ST	B	3
12-13-73	ST	B	4
10-14-74	AT	B	5
1-13-76	ST	B	6
1-19-76	L.N.	B	6A
1-20-76	L.N.	B	7
		B	8

FIRST USED ON OPTION/MODEL  
RK8-E

DRN.	DATE
CHK'D	DATE
ENG.	DATE
PROJ. ENG.	DATE
PROD.	DATE

**digital** EQUIPMENT CORPORATION  
MAYNARD, MASSACHUSETTS

TITLE  
DATA BUFFER  
§ STATUS

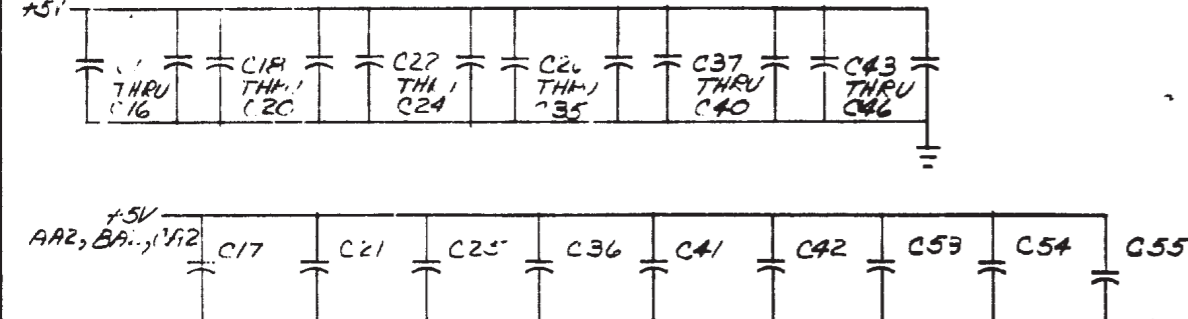
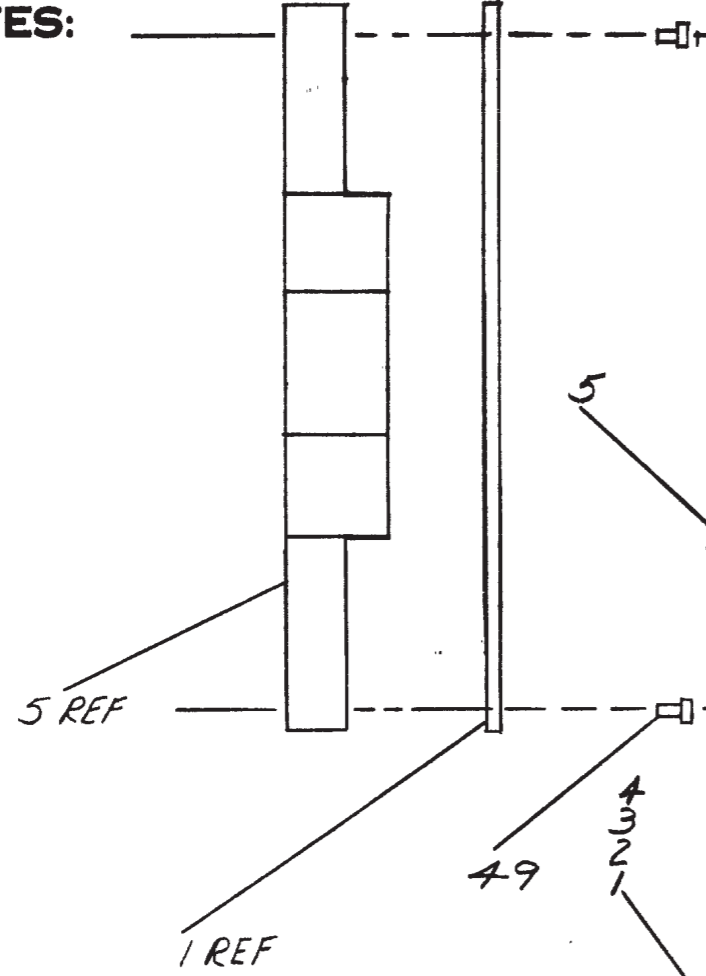
"THIS DRAWING AND SPECIFICATIONS, HEREIN, ARE THE PROPERTY OF DIGITAL EQUIPMENT CORPORATION AND SHALL NOT BE REPRODUCED OR COPIED OR USED IN WHOLE OR IN PART AS THE BASIS FOR THE MANUFACTURE OR SALE OF ITEMS WITHOUT WRITTEN PERMISSION."  
COPYRIGHT © DIGITAL EQUIPMENT CORPORATION"

NEXT HIGHER ASSY.  
D-UA-RK8-E-0  
SCALE  
SHEET 1 OF 7

SIZE	CODE	NUMBER	REV.
B	CS	M7104-0-1	K
DIST.			

This drawing and specifications herein are the property of Digital Equipment Corporation and shall not be reproduced or copied in whole or in part on the basis for the manufacture or sale of items without written permission. © DIGITAL EQUIP. CORP. 1971

**NOTES:**



AC2, AF1, AN1, AT1, AF2, AN2, AT2, BC1, BF1, BN1, BT1, BC2, BF2, BN2, BT2, CC1, CF1, CN1, CT1, CC2, CF2, CN2, CT2, DC1, DF1, DN1, DT1, DC2, DF2, DN2, DT2.

DEC 74123	8	16
DEC 74174	8	16
DEC 74175	5	12
DEC 74176	8	16
DEC 8235	8	16
DEC 314	1	8
DEC 8251B	8	16
DEC 394	1	8
DEC 350	1	8
DEC 74177	4	11
DEC 1476	5	13
IC TYPE	GND	+ 5V
GND AND 5V ARE USUALLY PIN 7 AND 14 RESPECTIVELY. EXCEPTIONS ARE STATED ABOVE.		
IC PIN LOCATIONS		

AN		DESCRIPTION	QTY	REF
B		30 GA WIRE, SOLID, GREEN	9105740-55	44
B		GRIPLETS	7210244-0	53
1	DL1	DELAY LINE, 100NS D-10100	1609559	52
4		EYELET	9006757	51
9		SPLIT LUGS	9006735	50
4	E8, E10, E18, E25	I.C. DEC 74174	1910653	49
1	E7	I.C. DEC 74123	1910436	48
1	E5B	I.C. DEC 74196	1910363	47
3	E11, E14, E18	I.C. DEC 74108	1910155	46
1	E33	I.C. DEC 7437	1910091	45
3	W2, W4, W6	22 GA BUSS WIRE	9107560-01	44

QTY	REF DESIGNATION	DESCRIPTION	PART NO.	ITEM NO.
1	E43	I.C. DEC 74175	1910018	43
4	E8, E22, E27, E29	I.C. DEC 8235	1909284	42
1	E21	I.C. DEC 74104	1909281	41
1	E36	I.C. DEC 8881	1909705	40
1	E1	I.C. DEC 314	1909704	39
4	E6, E23, E27, E31	I.C. DEC 74104	1909686	38
1	E38	I.C. DEC 74174	1909667	37
1	E87	I.C. DEC 8251B	1909594	36
1	E30	I.C. DEC 304	1909486	35
4	E2, E15, E35, E42	I.C. DEC 8640	1917469	34
2	E4, E26	I.C. DEC 74153	1909062	33
1	E20	I.C. DEC 74100	1909056	32
1	R16, R17	RES., 1K, 1/4W, 5%	1300365	31
6	E3, E5, E9, E17, E24, E32	I.C. DEC 7495	1909055	30
6	E13, E18, E28, E34, E51, E58	I.C. DEC 74102	1909004	29
1	E12	I.C. DEC 7473	1905587	28
1	E14	I.C. DEC 7476	1905585	27
2	E9, E44	I.C. DEC 7440	1905579	26
1	E47	I.C. DEC 7410	1905576	25
3	E45, E46, E54	I.C. DEC 7400	1905575	24
2	E39, E52	I.C. DEC 7474	1905547	23
2	R6, E7	RES., 5.1K, 1/8W, 1%, MF	1304854	22
2	R2, R3	RES., 10K, 1/4W, 5%, C.C.	1301382	21
2	R12, R13	RES., 4.7K, 1/4W, 5%, C.C.	1300447	20
1	R9	RES., 2.2K, 1/4W, 5%, C.C.	1300417	19
1	R11	RES., 1.8K, 1/4W, 5%, C.C.	1300398	18
2	R1, R4	RES., 390, 1/4W, 5%, C.C.	1300309	17
6	R5, R8, R10, R14, R15	RES., 100, 1/4W, 5%, C.C.	1300289	16
2		SPACER (CABLE CLAMP)	1302707	15
40	C17 THRU C16, C18 THRU C26 THRU C28, C29 THRU C35, C37 THRU C48, C49 THRU C46	CAP., 0.01uF, 50V, 20%, DISC	1001610	14
3	C53 THRU C55	CAP., 0.01uF, 35V, 10%, TANT	1005306	13
2	C49, C56	CAP., 470pF, 100V, 5% DM	1000024	12
1	C51	CAP., 330pF, 100V, 5% DM	1000023	11
2	C50, C52	CAP., 100pF, 100V, 5% DM	1000020	10
1	C47	CAP., 39pF, 100V, 5% DM	1000010	9
1	C48	CAP., 10pF, 100V, 5% DM	1000006	7
6	C17, C21, C25, C26, C49, C42	CAP., 0.02uF, 100V, 20%, DISC	1000004	6
2		HANDLE, PLT-CHK, MAGENTA	908837-06	5
1		ETCHED CIRCUIT BOARD	5010064	4
REF		MODULE ECO HISTORY	B-RN-87104-B-6	3
REF		ASSY/DRILLING HOLE LAYOUT	D-RN-87104-B-5	2
REF		X-Y COORDINATE HOLE LOCATION	A-00-87104-B-4	1

**FIRST USED ON OPTION MODEL**      **PARTS LIST**

RK8-E      ETCH BOARD REV      8

DRN: *admit*      DATE: 12/72

CHKD: *Rick*      DATE: 10-6-72

ENG: *Hjorn*      DATE: 7/8/72

PROJ. ENG:      DATE: 10/6/72

PROP:      DATE: 10/6/72

NEXT HIGHER ASSY:      DATE: 10/6/72

D-UA-RK8-E-0

SCALE: NONE

SHEET: 2 OF 7

DIST.:

**digital EQUIPMENT CORPORATION**  
MAYNARD, MASSACHUSETTS

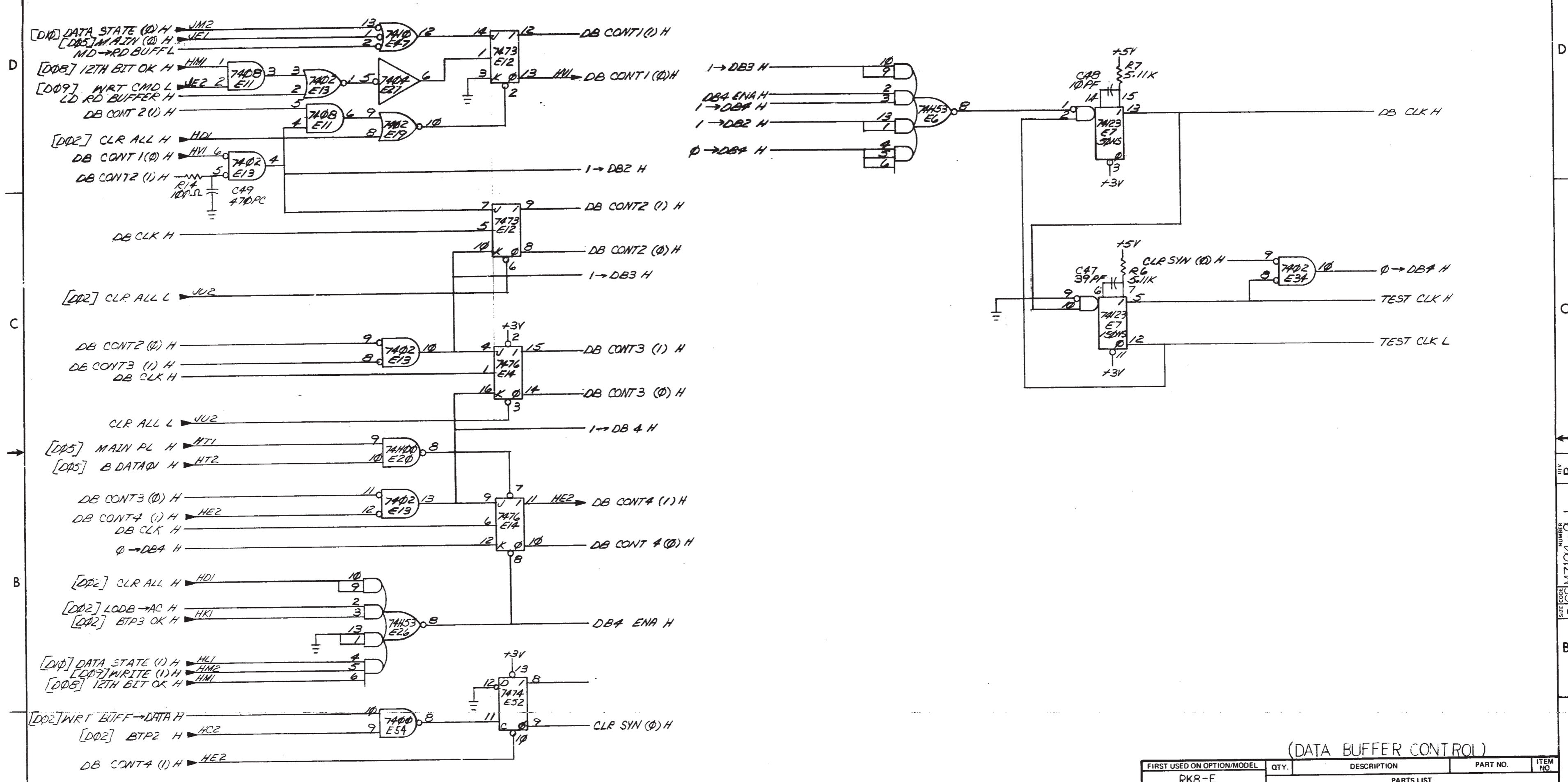
TITLE: **DATA BUFFER & STATUS**

SIZE CODE: DCSIM7104-0-1

REV: 8



Drawing and specifications herein are the property of Digital Equipment Corporation and shall not be reproduced or copied in whole or in part as a basis for the manufacture or sale of items without written permission. © 1976 DIGITAL EQUIPMENT CORPORATION



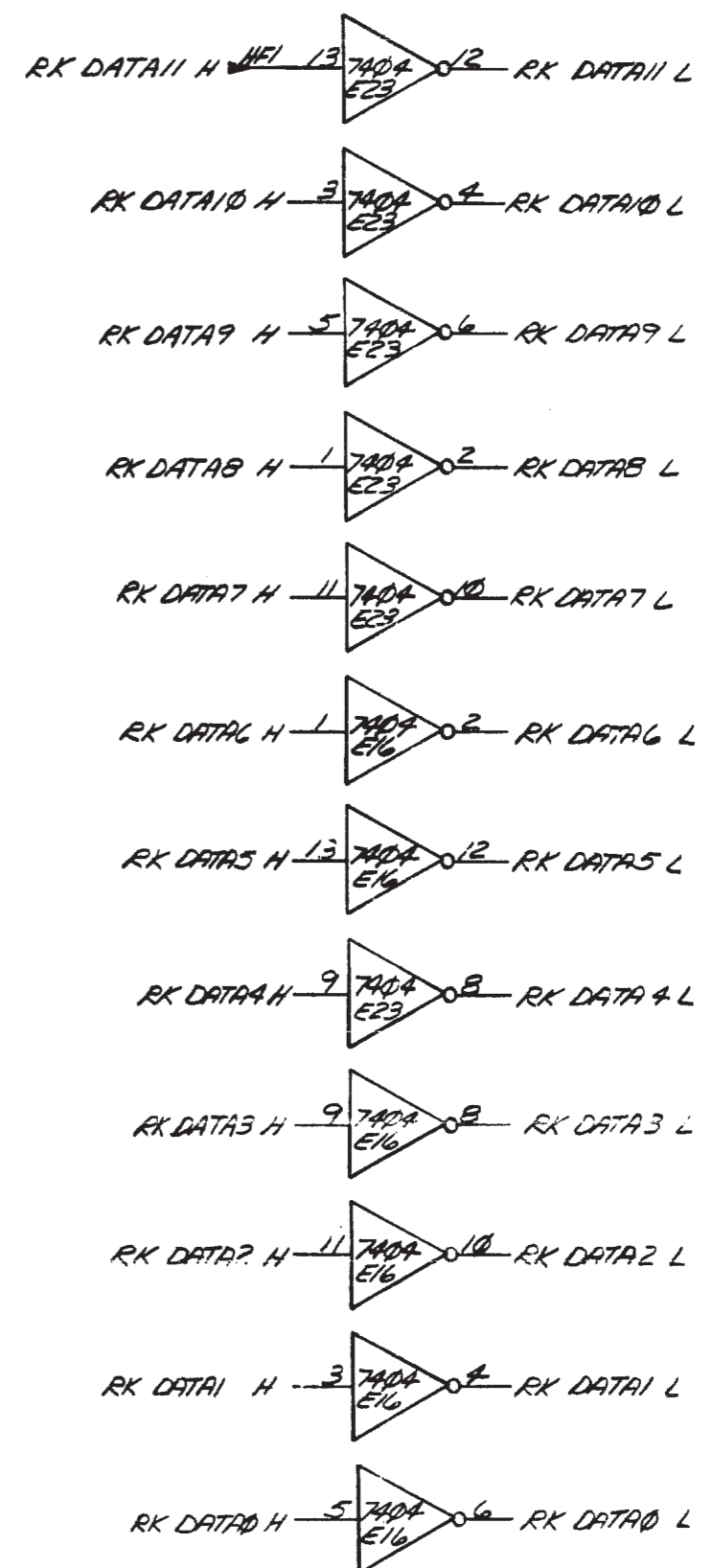
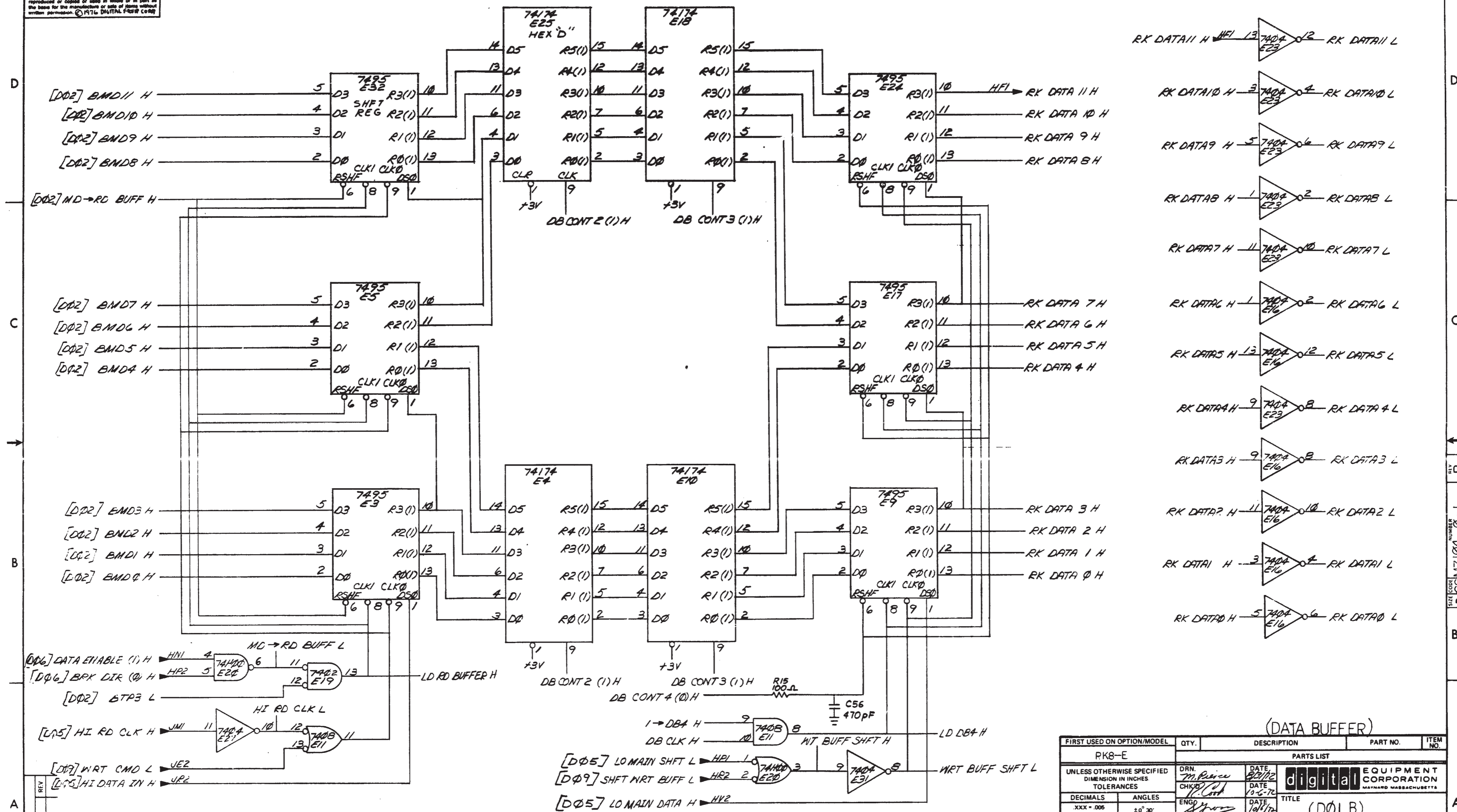
(DATA BUFFER CONTROL)

FIRST USED ON OPTION/MODEL	QTY.	DESCRIPTION	PART NO.	ITEM NO.
RKB-E				
PARTS LIST				
UNLESS OTHERWISE SPECIFIED DIMENSION IN INCHES TOLERANCES	DRN. <i>Rice</i>	DATE <i>9/72</i>	 <b>DIGITAL EQUIPMENT CORPORATION</b> <small>MAYNARD, MASSACHUSETTS</small>	
DECIMALS .XXX ± .005	CHK'D <i>W. Cook</i>	DATE <i>10-7-72</i>		
ANGLES ± 0° 30'	ENG. <i>W. Cook</i>	DATE <i>10/10/72</i>		
REMOVE BURRS AND BREAK SHARP CORNERS SURFACE QUALITY	PROJ. ENG. <i>W. Cook</i>	DATE <i>10/11/72</i>		
TITLE		REV.		
(D01A) DATA BUF & STATUS		B		
MATERIAL	NEXT HIGHER ASSY.	SIZE CODE	NUMBER	
FINISH	B-DD-RKB-0	D	CSM7104-0-1	
SCALE	SHEET 3 OF 7	DIST.		

BRUNING 40-922 15840  
 REVISIONS  
 CHANGE NO.  
 REV.  
 DEC FORM NO  
 DRD 102-B

DCSM7104-0-1  
 REV. B  
 B  
 A

This drawing and specifications, herein, are the property of Digital Equipment Corporation and shall not be reproduced or copied or used in whole or in part as the basis for the manufacture or sale of items without written permission. © 1971 Digital Equipment Corporation



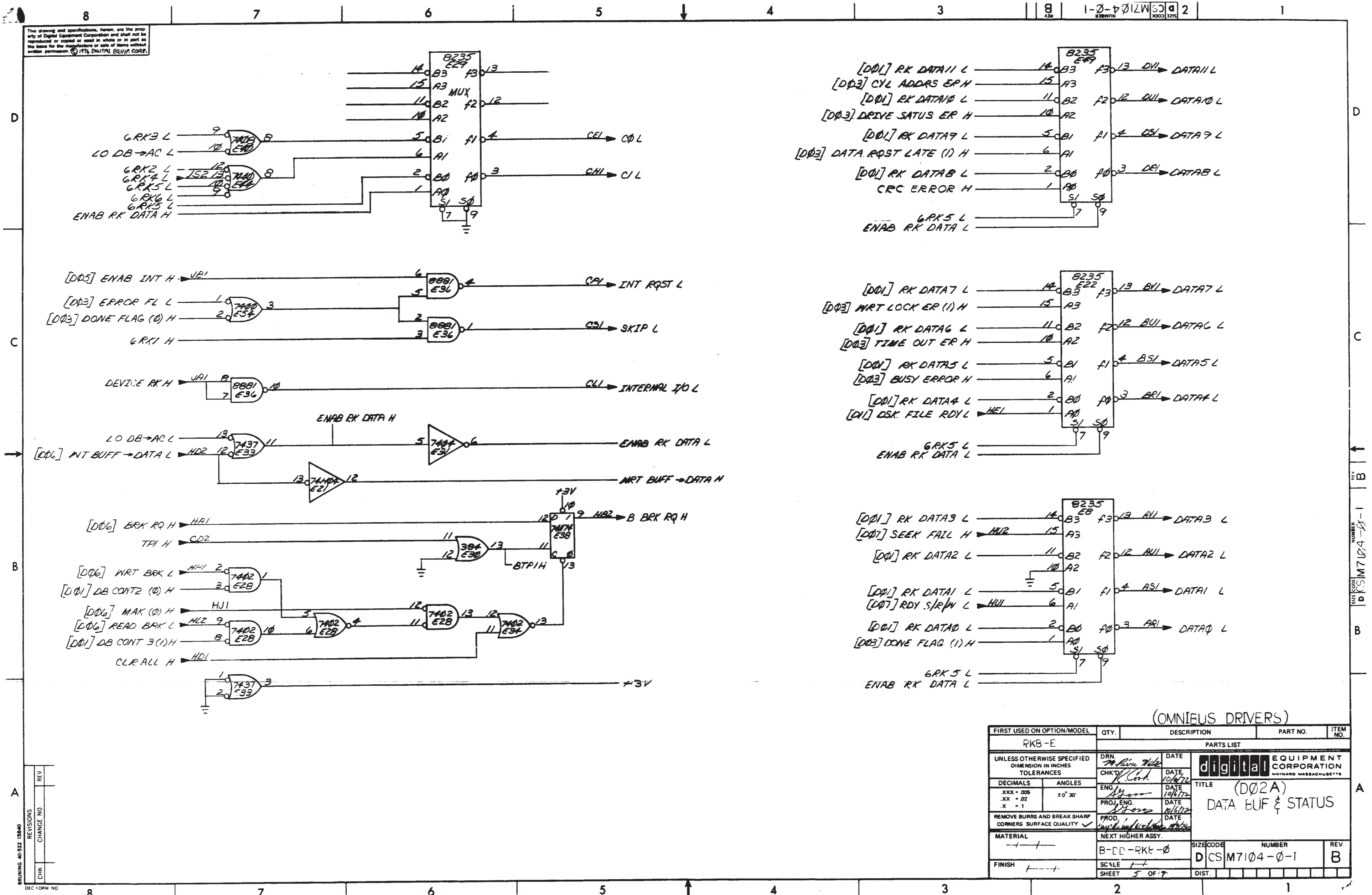
BRUNING 40-522 12-8-60

REV	CHANGE NO	REVISIONS

DEC FORM NO. 102-B

FIRST USED ON OPTION/MODEL	QTY.	DESCRIPTION	PART NO.	ITEM NO.
RK8-E				
PARTS LIST				
UNLESS OTHERWISE SPECIFIED DIMENSION IN INCHES TOLERANCES		DRN: <i>M. Price</i>	DATE: <i>8/31/72</i>	<b>digital</b> EQUIPMENT CORPORATION MAYNARD MASSACHUSETTS
		CHK: <i>W. J. ...</i>	DATE: <i>10/2/72</i>	
DECIMALS: .xxx = .006 .xx = .02 .x = .1	ANGLES: ±0° 30'	ENG: <i>...</i>	DATE: <i>10/1/72</i>	TITLE <b>(DØ1 B) DATA BUF &amp; STATUS</b>
REMOVE BURRS AND BREAK SHARP CORNERS SURFACE QUALITY ✓		PROJ. ENG: <i>...</i>	DATE: <i>11/6/72</i>	
MATERIAL: + +	NEXT HIGHER ASSY.	PROD. <i>...</i>	DATE: <i>10/2/72</i>	
FINISH: + +	B-DD-RK8-Ø	SCALE: + +	SHEET: 4 OF 7	REV: B
	SIZE CODE: DCSM71Ø4-Ø-1			

This drawing and specifications, herein, are the property of Digital Equipment Corporation and shall not be reproduced or copied or used in whole or in part as the basis for the manufacture or sale of items without written permission of Digital Equipment Corporation.



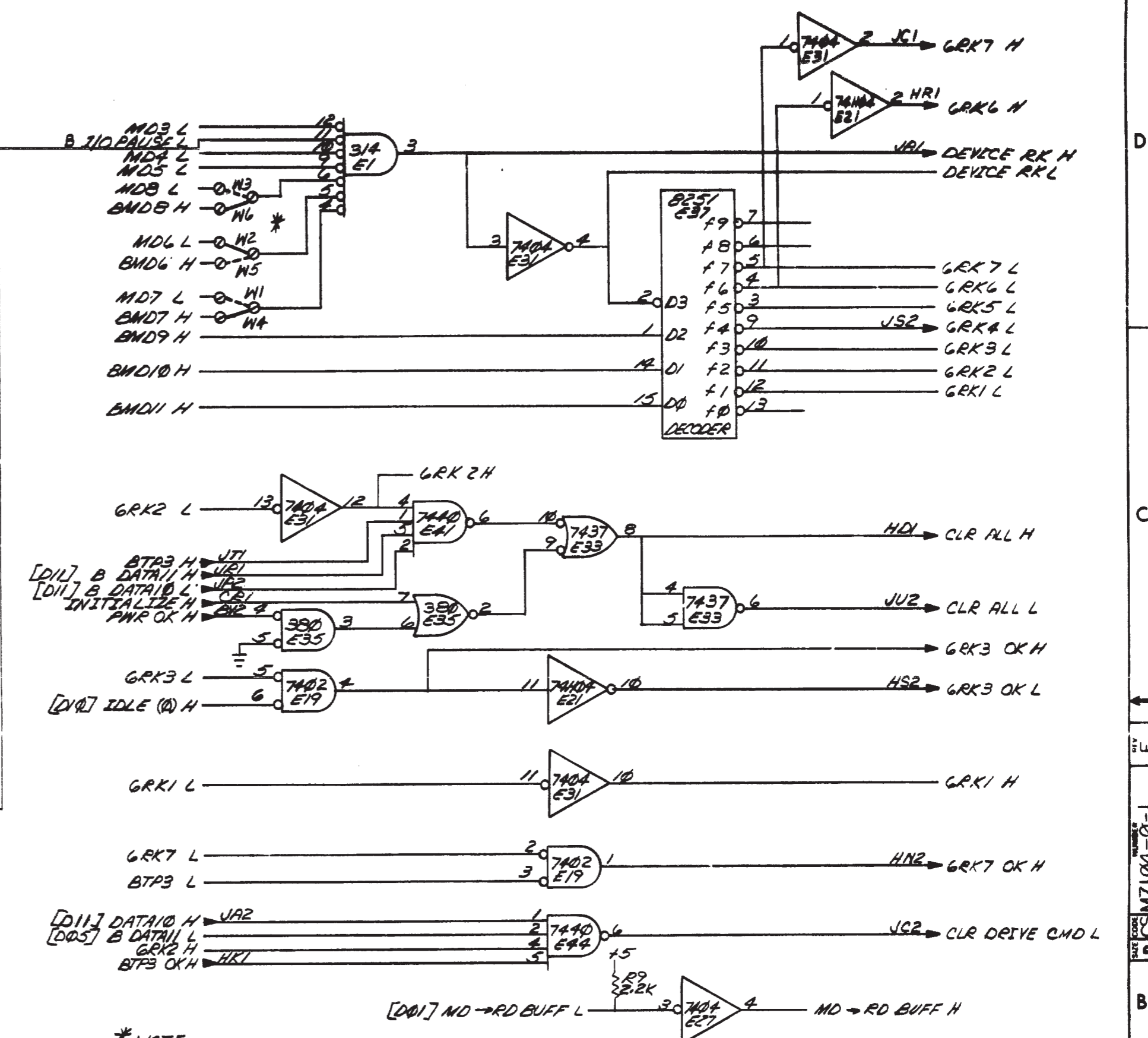
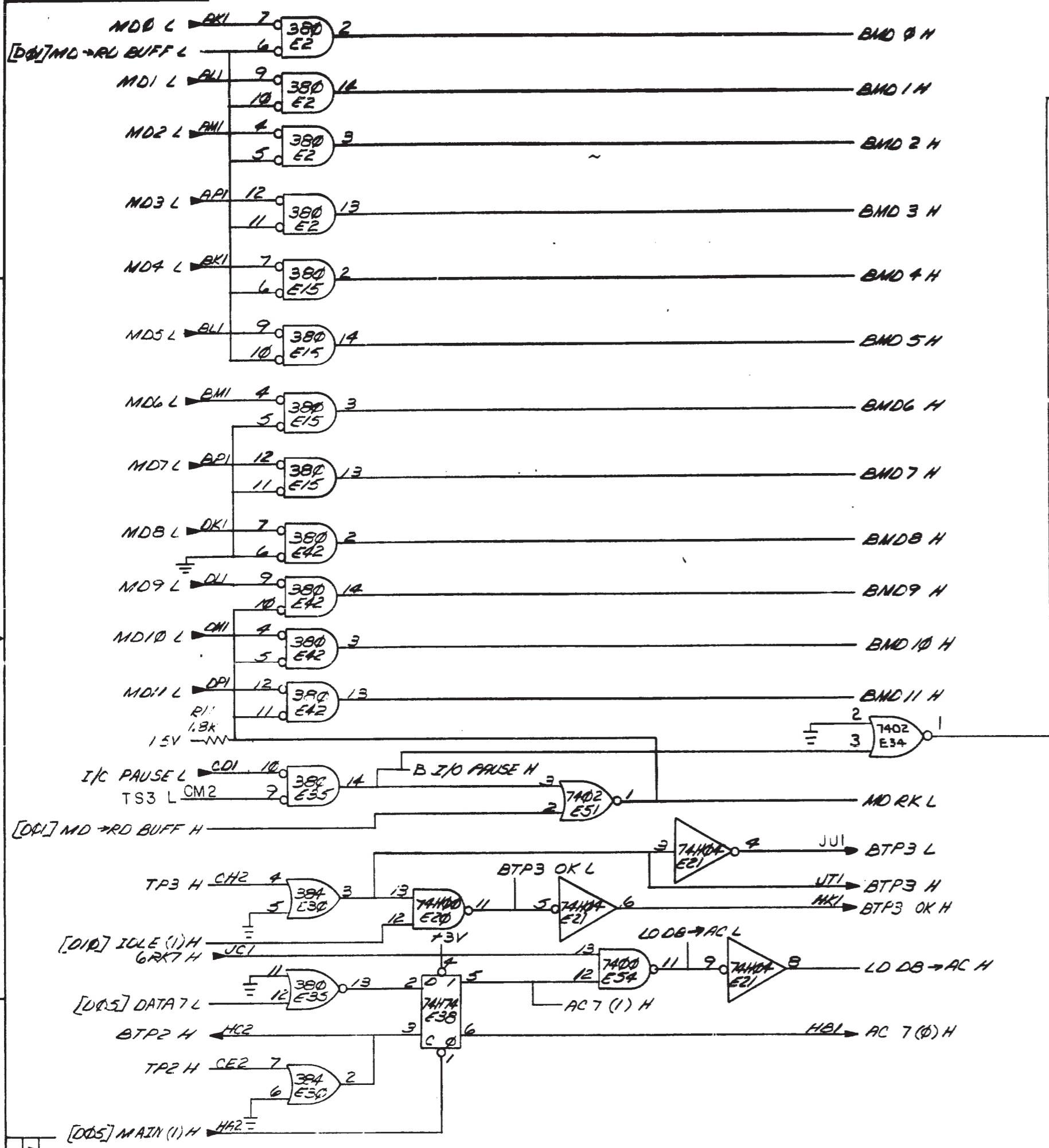
REV	CHANGE NO.
CHK	
REV	
CHK	

(OMNIEUS DRIVERS)

FIRST USED ON OPTION/MODEL	QTY.	DESCRIPTION	PART NO.	ITEM NO.
RKB-E				
PARTS LIST				
UNLESS OTHERWISE SPECIFIED DIMENSION IN INCHES TOLERANCES		DRN. <i>M. Riva</i> DATE <i>10/6/72</i>	 digital EQUIPMENT CORPORATION WATFORD MASSACHUSETTS	
DECIMALS .XX = .02 ANGLES ±0° 30'		CHK'D <i>K. Cook</i> DATE <i>10/6/72</i>		
REMOVE BURRS AND BREAK SHARP CORNERS SURFACE QUALITY		ENG. <i>M. Riva</i> DATE <i>10/6/72</i>	TITLE (DØ2A) DATA BUF & STATUS	
MATERIAL		PROJ. ENG. <i>M. Riva</i> DATE <i>10/6/72</i>		
FINISH		PROD. <i>M. Riva</i> DATE <i>10/6/72</i>	NEXT HIGHER ASSY.	
			B-DD-RKE-Ø	
			SIZE CODE NUMBER REV.	
			D C S M 7104-Ø-1 B	
			SCALE SHEET 5 OF 7	
			DIST.	



This drawing and specifications, herein, are the property of Digital Equipment Corporation and shall not be reproduced or used in whole or in part as the basis for the manufacture of any item without written permission © 1976, D161776, 00417, 00418



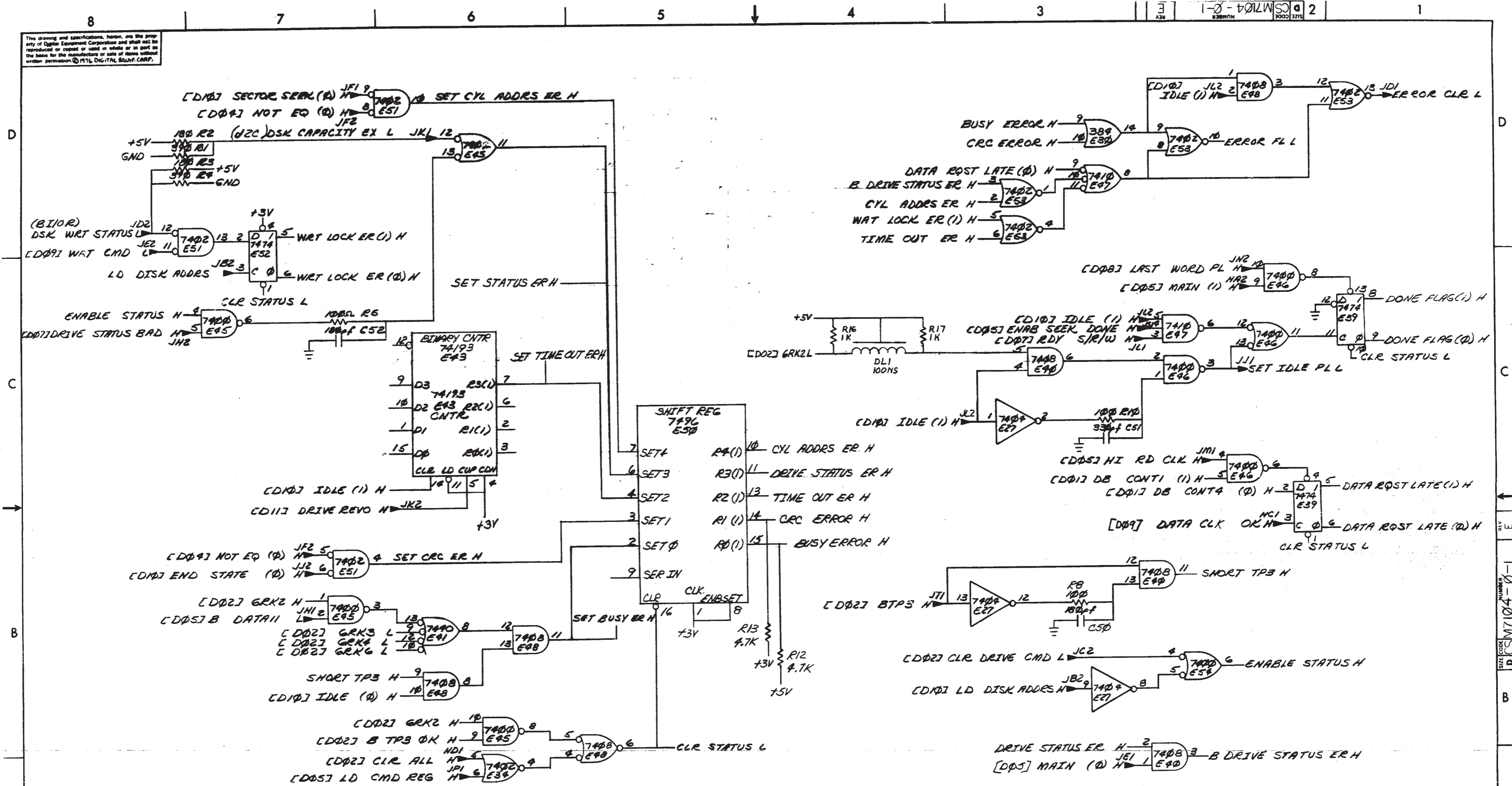
\* NOTE  
 IOT 674 X IS SHOWN  
 VALID ICT'S ARE  
 674 X  
 675 X  
 676 X  
 677 X

(OMNIBUS RECEIVERS)

FIRST USED ON OPTION/MODEL	QTY.	DESCRIPTION	PART NO.	ITEM NO.
RK8-E		PARTS LIST		
UNLESS OTHERWISE SPECIFIED DIMENSION IN INCHES TOLERANCES	DRN CHK'D	DATE DATE	digital EQUIPMENT CORPORATION MAYNARD MASSACHUSETTS	
DECIMALS .XXX - .005 ANGLES ±0' 30"	ENG. PROJ. ENG.	DATE DATE	TITLE (D02 B) DATA BUF & STATUS	
REMOVE BURRS AND BREAK SHARP CORNERS SURFACE QUALITY	PROD.	DATE		
MATERIAL ++	NEXT HIGHER ASSY.	SIZE CODE	NUMBER	REV.
FINISH ++	B-DD-RK8-0	D	CS M7104-0-1	F
	SCALE	SHEET	OF 7	DIST.

BRUNING 40-522 15840  
 DEC FORM NO  
 PKY 102-R

This drawing and specifications, herein, are the property of Digital Equipment Corporation and shall not be reproduced or copied or used in whole or in part as the basis for the manufacture or sale of items without written permission of MITL DIGITAL BOSTON, MASS.



(STATUS REGISTER ERROR DETECT)

FIRST USED ON OPTION/MODEL	QTY.	DESCRIPTION	PART NO.	ITEM NO.
RK8-E				
UNLESS OTHERWISE SPECIFIED DIMENSION IN INCHES TOLERANCES				
DECIMALS	ANGLES	TITLE (D03) DATA BUF & STATUS		
.XXX - .005	± 0° 30'	DATE 10/17/72		
.XX - .02		DATE 10/17/72		
.X - .1		DATE 10/17/72		
REMOVE BURRS AND BREAK SHARP CORNERS SURFACE QUALITY				
NEXT HIGHER ASSY.				
MATERIAL	D-UA-RK8-E-0			
FINISH	SCALE			
SHEET 7 OF -				
SIZE CODE		NUMBER		REV.
D-CSM7104-0-1		D-CSM7104-0-1		E

REV	NO	DATE	BY	CHK
1	1	10/17/72	WJ	WJ
2	1	10/17/72	WJ	WJ

BRUNING 40-522 18840  
DTC FORM NO. DRD 102-B