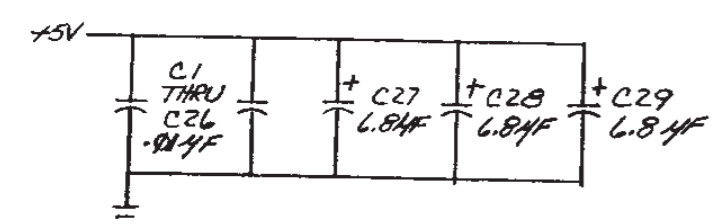
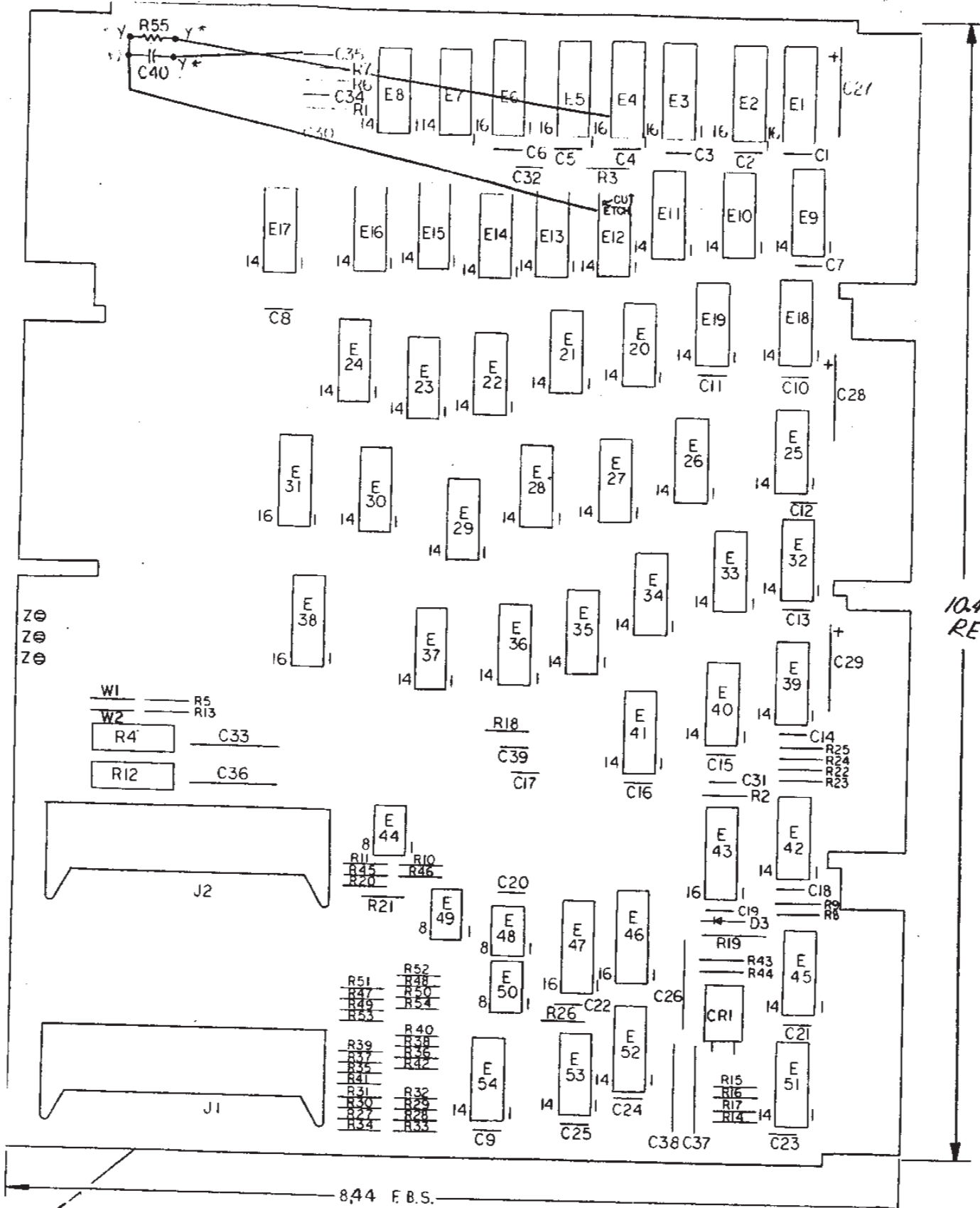


This drawing and specifications, herein, are the property of Digital Equipment Corporation and shall not be reproduced or copied or used in whole or in part as the basis for the manufacture or sale of items without written permission.

NOTES:



REF	QTY	DESCRIPTION	PART NO.	ITEM NO.
1 C40	1	CAPACITOR 470PF, 100V, 5%	1000024	48
AR		#30 AWG WIRE, SOLID GREEN	9105740-55	47
4	4	GRIPLETS	1210244-0	46
AIR W1, W2		INSULATED JUMPER	9009185	45
2 J1, J2	2	CONN. 40 RT ANGLE	1209941	44
1 E31	1	I.C. TYPE 74155	1910656	43
2 E38, E43	2	I.C. TYPE 74123	1910436	42

QTY	REF DESIGNATION	DESCRIPTION	PART NO.	ITEM NO.
1	E46	I.C. TYPE 7496	1910363	41
1	E47	I.C. TYPE 7485	1910224	40
9	E15, E18 THRU E22, E24, E37, E41	I.C. TYPE 7474	1905517	39
1	E28	I.C. TYPE 74H52	1909061	38
1	E10	I.C. TYPE 74H10	1909057	37
2	E39, E39	I.C. TYPE 7410	1905576	36
2	E16, E32	I.C. TYPE 7408	1910155	35
5	E42, E51 THRU E54	I.C. TYPE 380	1909485	34
2	E11, E7	I.C. TYPE 74H04	1909931	33
3	E8, E35, E36	I.C. TYPE 7404	1909686	32
6	E13, E23, E26, E28, C30, E40	I.C. TYPE 7402	1909004	31
8	E8, E12, E14, E17, E25, E28, E33, E45	I.C. TYPE 7400	1905575	30
6	E1 THRU E6	I.C. TYPE 74161	1910650	29
4	E44, E48 THRU E50	I.C. TYPE 75452	1910645	28
1	CR1	CRYSTAL, 2.88 MHZ	1810694-3	27
2	R9, R12	POTENTIOMETER, 10K, 1/4W, 3K, 76A0	1309143-10	26
1	R19	RESISTOR, 243K, 1%, 1/4W, MF	1309418	25
6	R1, R3, R6, E7, R18, R55	RESISTOR, 100Ω, 5%, 1/4W, CC	1300229	24
1	R13	RESISTOR, 20K, 5%, 1/4W, CC	1302391	23
3	R5, R15, R17	RESISTOR, 10K, 5%, 1/4W, CC	1300479	22
1	R2	RESISTOR, 56K, 5%, 1/4W, CC	1301874	21
1	R44	RESISTOR, 3K, 5%, 1/4W, CC	1300432	20
4	R8, R9, R26, R43	RESISTOR, 1K, 5%, 1/4W, CC	1300365	19
2	R14, R16	RESISTOR, 470Ω, 5%, 1/4W, CC	1300316	18
17	R11, R20, R23, R25, R27, R30, R31, R33, R35, C37, R38, R41, R42, R43, R45, R46, R47, R48, R49, R51, R52, R53, R54	RESISTOR, 370Ω, 5%, 1/4W, CC	1300309	17
17	R10, R21, R22, R24, R28, R29, R32, R34, R36, R38, R40, R42, R44, R46, R48, R50, R52, R54	RESISTOR, 180Ω, 5%, 1/4W, CC	1301322	16
1	D3	DIODE D664	1100114	15
2	C33, C36	CAPACITOR, 0.22μF, 100V, 10%, MFR	1002323	14
3	C37, C38, C26	CAPACITOR, 4700pF, 100V, 1%, MFR	1009312	13
1	C31	CAPACITOR, 100pF, 100V, 5%, DM	1000006	12
1	C32	CAPACITOR, 500pF, 100V, 5%, DM	1000027	11
2	C34, C39	CAPACITOR, 500pF, 100V, 5%, DM	1000025	10
1	C35	CAPACITOR, 330pF, 100V, 5%, DM	1000023	9
1	C30	CAPACITOR, 100pF, 100V, 5%, DM	1000020	8
3	C27 THRU C29	CAPACITOR, 6.8μF, 35V, 20%, TANT	1000067	7
25	C1 THRU C25	CAPACITOR, 0.1μF, 100V, 20%, DISC	1001610	6
3	TP1 THRU TP3	SPLIT LUG	9006735	5
1		ETCHED CIRCUIT BOARD	5010066	4
1		MODULE ECD HISTORY	B-MH-M7106-0-4	3
1		ASSY DRILLING HOLE LAYOUT	D-MH-M7106-0-5	2
1		X-Y COORDINATE HOLE LOCATION	K-CD-M7106-0-4	1

IC TYPE	GND	+5V
DEC 380	1	8
DEC 7485	8	16
DEC 7496	5	12
DEC 74155	8	16
DEC 74161	8	16

GND AND 5V ARE USUALLY PIN 7 AND 14 RESPECTIVELY. EXCEPTIONS ARE STATED ABOVE.

IC PIN LOCATIONS

FIRST USED ON OPTION MODEL: RK8-E

ETCH BOARD REV: B

REVISIONS:

CHK	CHANGE NO.	REV	DATE	DESCRIPTION

DRN: *Edwint* DATE: 8/13/72
 CHK'D: *Edwint* DATE: 10/2/72
 ENG: *Edwint* DATE: 10/2/72
 PROJ. ENG: *Edwint* DATE: 10/2/72
 PROD: *Edwint* DATE: 10/2/72

TITLE: CONTROL, RK8-E

NEXT HIGHER ASSY: D-UA-RK8-E-0

SCALE: 1:1

SHEET 2 OF 2

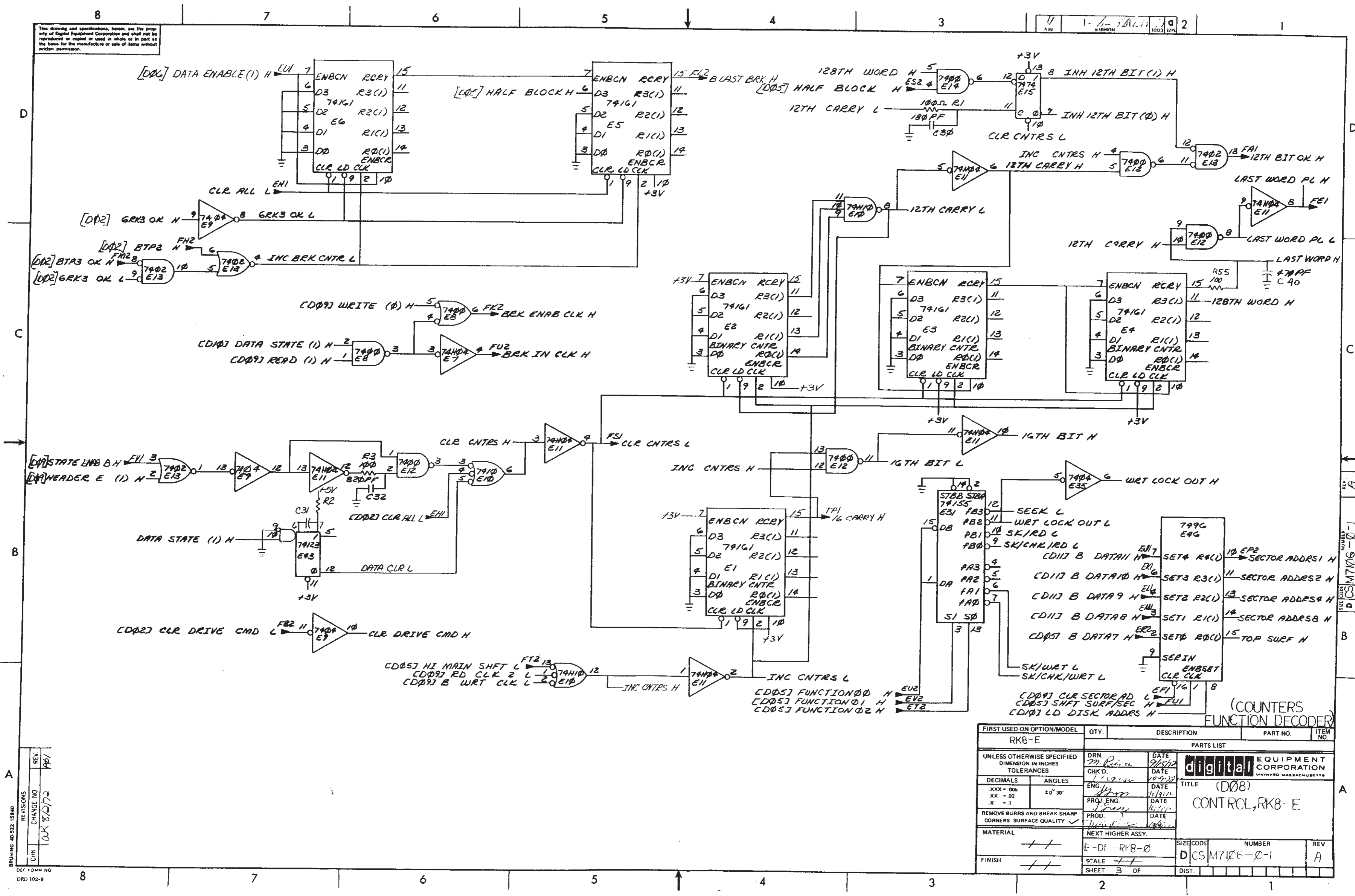
SIZE CODE: D CS M7106-0-1

NUMBER: 1

REV: A

BRUNING 40-22 18999
 DEC FORM NO. DRD-135A

This drawing and specifications, herein, are the property of Digital Equipment Corporation and shall not be reproduced or copied or used in whole or in part as the basis for the manufacture or sale of items without written permission.

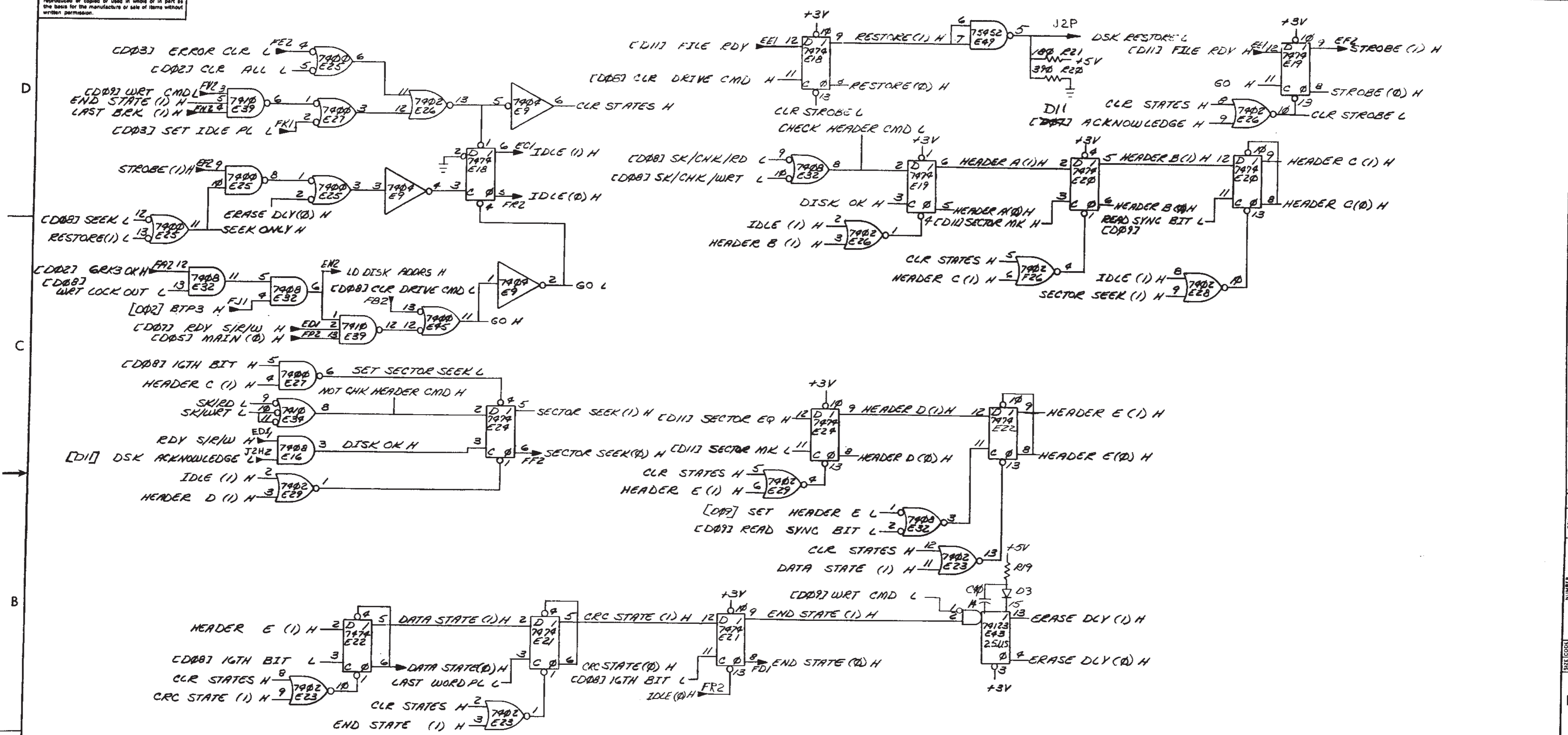


FIRST USED ON OPTION/MODEL	QTY.	DESCRIPTION	PART NO.	ITEM NO.
RK8-E				
UNLESS OTHERWISE SPECIFIED				
DIMENSION IN INCHES		DRN	DATE	digital EQUIPMENT CORPORATION MAYNARD MASSACHUSETTS
TOLERANCES		CHK'D	DATE	
DECIMALS	ANGLES	ENG.	DATE	TITLE (D08) CONTROL, RK8-E
.XXX - .005	±0° 30'	PROJ. ENG.	DATE	
.X - .1		PROD.	DATE	
REMOVE BURRS AND BREAK SHARP CORNERS SURFACE QUALITY				
MATERIAL		NEXT HIGHER ASSY.		
FINISH		E-DI - RK8-0	SIZE CODE	NUMBER
		SCALE	D CS M7106-0-1	REV. A
		SHEET 3 OF	DIST.	

REV.	NO.	DATE	BY
1	1	10/1/72	AP/1

BRUSHING 40-522 15840
DEF. FORM NO. DR1 102-B

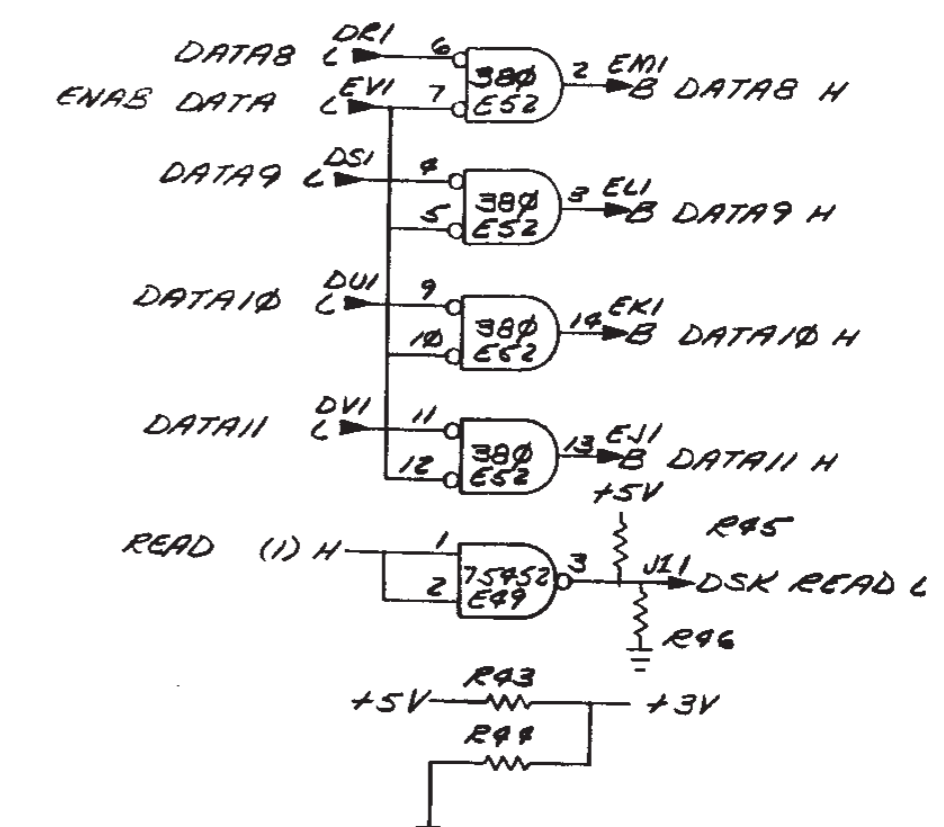
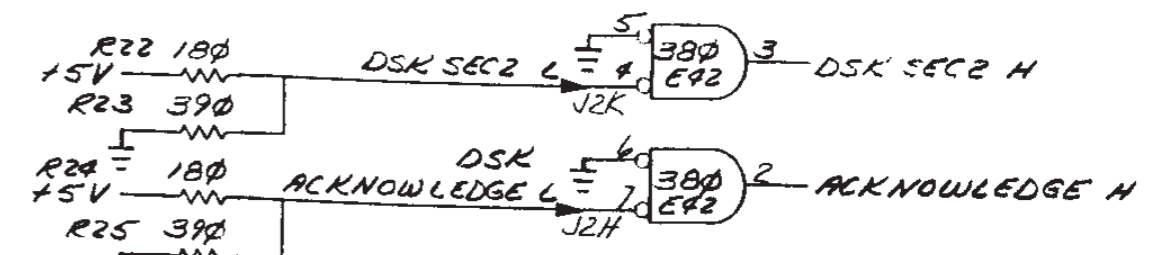
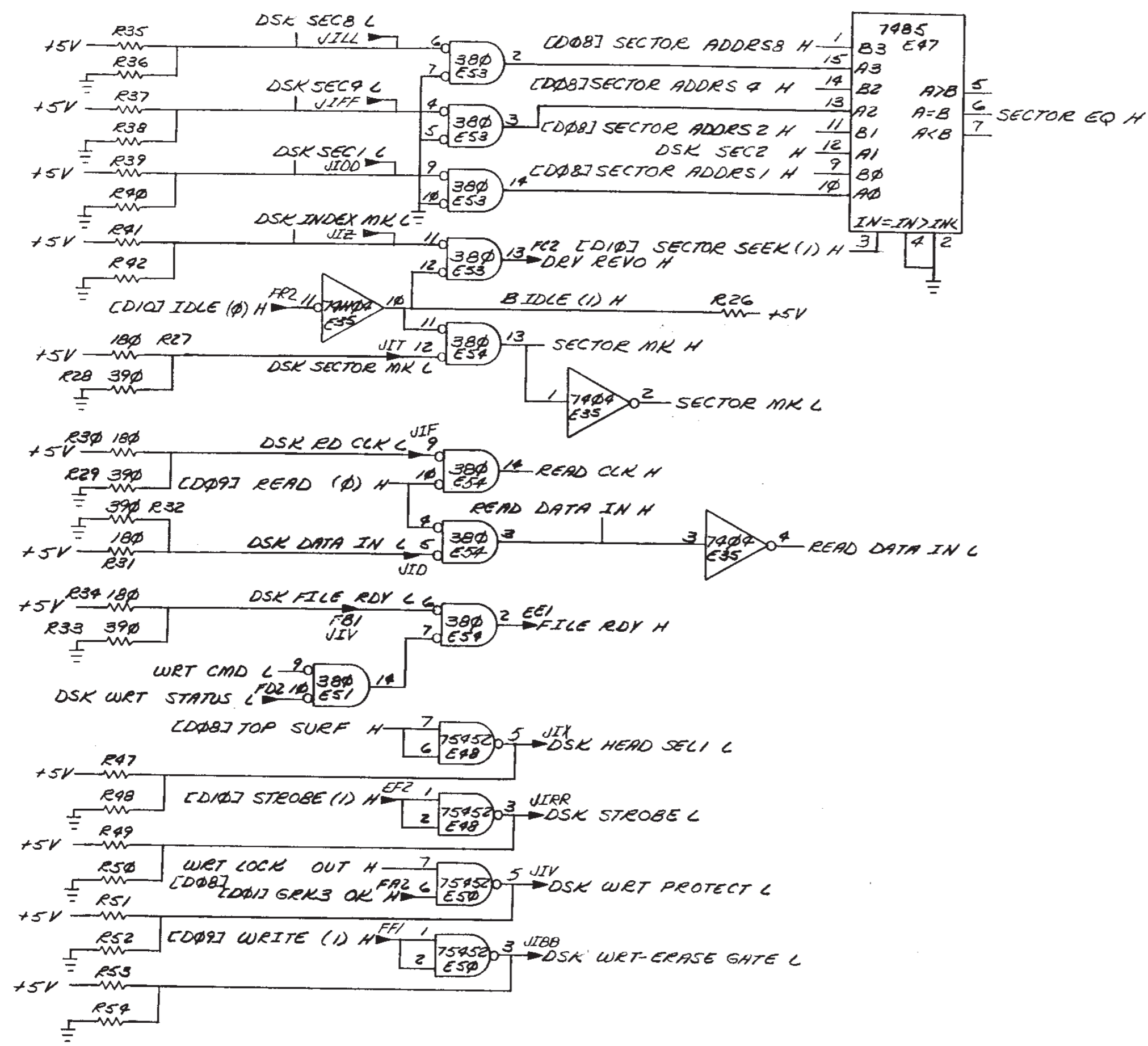
This drawing and specifications herein are the property of Digital Equipment Corporation and shall not be reproduced or copied or used in whole or in part as the basis for the manufacture or sale of items without written permission.



REV	CHANGE NO.

FIRST USED ON OPTION/MODEL		QTY.	DESCRIPTION	PART NO.	ITEM NO.
RK8-E					
UNLESS OTHERWISE SPECIFIED DIMENSION IN INCHES TOLERANCES					
DECIMALS	ANGLES	PARTS LIST			
.XXX - .005	±0° 30'	DRN	DATE	digital EQUIPMENT CORPORATION	
.XX - .02		CHK'D	DATE	MAYNARD MASSACHUSETTS	
X - .1		ENG	DATE	TITLE (D10) CONTROL, RK8-E	
REMOVE BURRS AND BREAK SHARP CORNERS SURFACE QUALITY		PROJ. ENG.	DATE		
		PROD.	DATE		
MATERIAL		NEXT HIGHER ASSY.			
FINISH		B-DI - RK8-E	SIZE CODE	NUMBER	REV.
		SCALE	DCS M7106-0-1		A
		SHEET	5	OF	

This drawing and specifications, herein, are the property of Digital Equipment Corporation and shall not be reproduced or copied or used in whole or in part as the basis for the manufacture or sale of items without written permission.



J2

UU	DSK CYL AD8 L	ET1
SS	DSK CYL AD2 L	ER2
PP	DSK CYL AD6 L	EB2
MM	DSK CYL AD16 L	EC2
KK	DSK WRT CLK DATA L	
HH	DSK CYL AD128 L	EE2 E44-3
EE	DSK RDY SIR/W L	EL2
CC	DSK CYL AD 32 L	EJ2
AA	DSK DRIVE 0 L	ED2
Y	DSK CYL AD 1 L	ES1
W	DSK DRIVE 1 L	ER1
U	DSK CYL AD 4 L	EH2
S	DSK DRIVE 2 L	EP1
P	DSK RESTORE L	
M	DSK DRIVE 3 L	EN1 E47-5
K	DSK SEC 2 L	
H	DSK ACKNOWLEDGE L	E42-4
E	DSK SEEK FAIL L	E42-7
C	DSK CAPACITY EX L	FC1

J1

D	DSK DATA IN L	
F	DSK RD CLK L	E54-5
V	DSK WRT PROTECT L	E54-9
L	DSK READ L	E50-5
R	DSK WRT STATUS L	E49-3
T	DSK SECTOR MK L	FD2
Y	DSK FILE RDY L	E54-12
X	DSK HEAD SEL 1 L	E54-6
Z	DSK INDEX MK L	E48-5
BA	DSK WRT-ERASE GATE L	E50-3
DD	DSK SEC 1 L	E53-9
FF	DSK SEC 4 L	E53-4
LL	DSK SEC 8 L	E53-6
RR	DSK STROBE L	E48-3

(DRIVE SIGNALS CABLE J2 DRIVERS)

FIRST USED ON OPTION/MODEL	QTY.	DESCRIPTION	PART NO.	ITEM NO.
RK8-E				
UNLESS OTHERWISE SPECIFIED DIMENSION IN INCHES. TOLERANCES				
DECIMALS	ANGLES	PARTS LIST		
XXX - .005	±0° 30'	digital EQUIPMENT CORPORATION MAYNARD MASSACHUSETTS		
XX - .02		TITLE (DIP) CONTROL, RK8-E		
X - .1		REMOVE BURRS AND BREAK SHARP CORNERS SURFACE QUALITY		
MATERIAL	NEXT HIGHER ASSY	FINISH		
		SCALE		
		SHEET 6 OF		
B-NL-RK8-E		SIZE CODE	NUMBER	REV
		DCSM7106-0-1		A.
		DIST.		

BRUING 40-32 15840
DEC FORM NO 0RD 102-B

REV	DATE	BY	CHK
1/84			
REVISIONS	CHANGE NO	BY	CHK
	02/27/84		

SIZE CODE DCSM7106-0-1