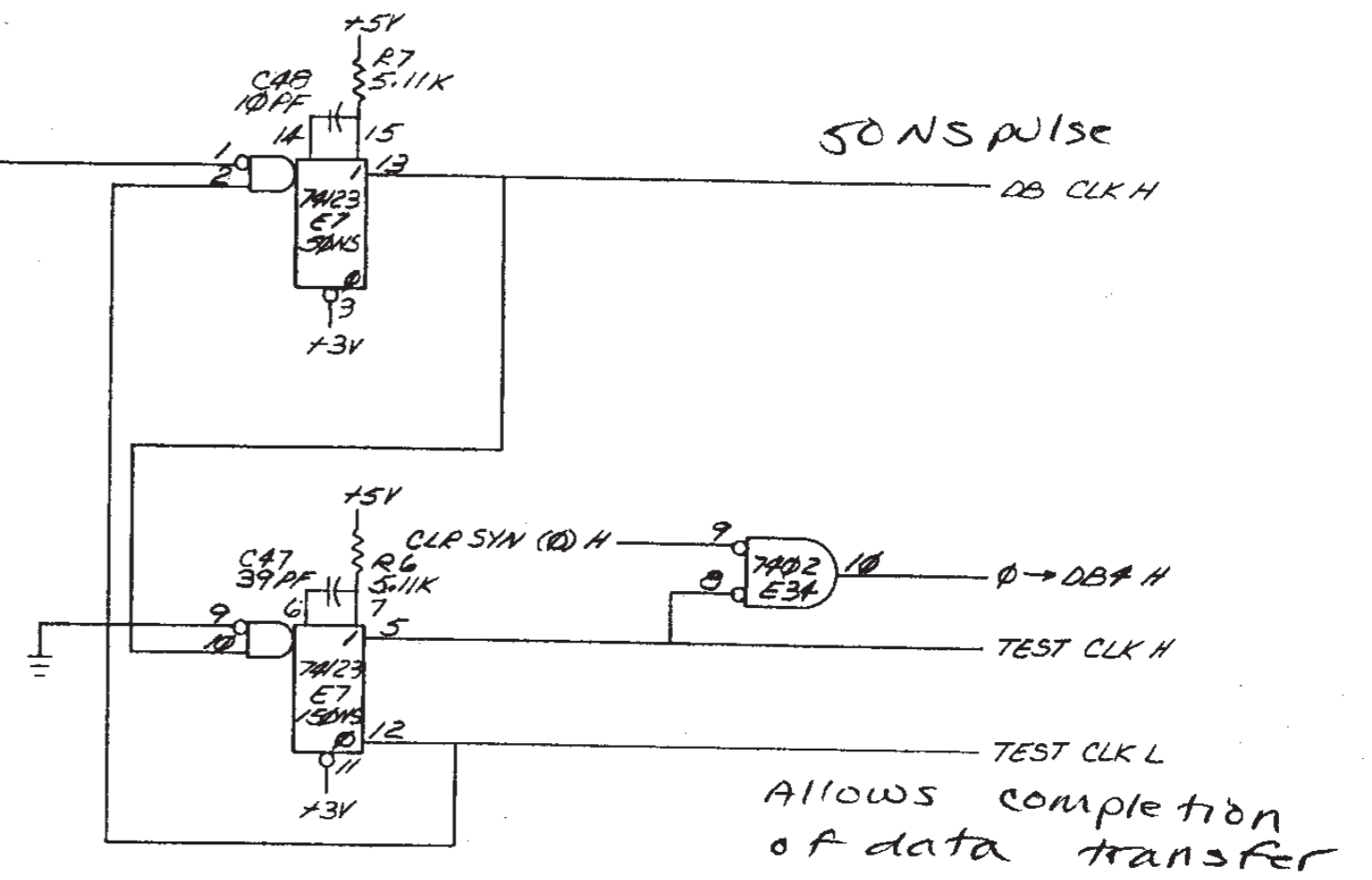
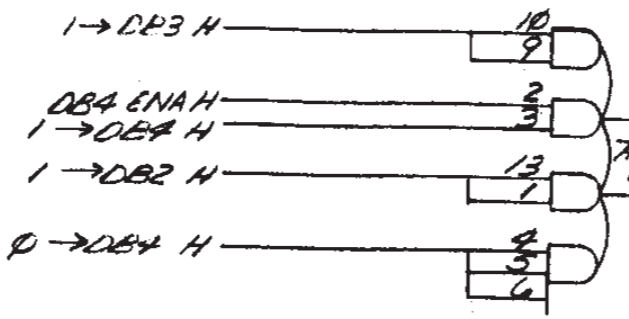
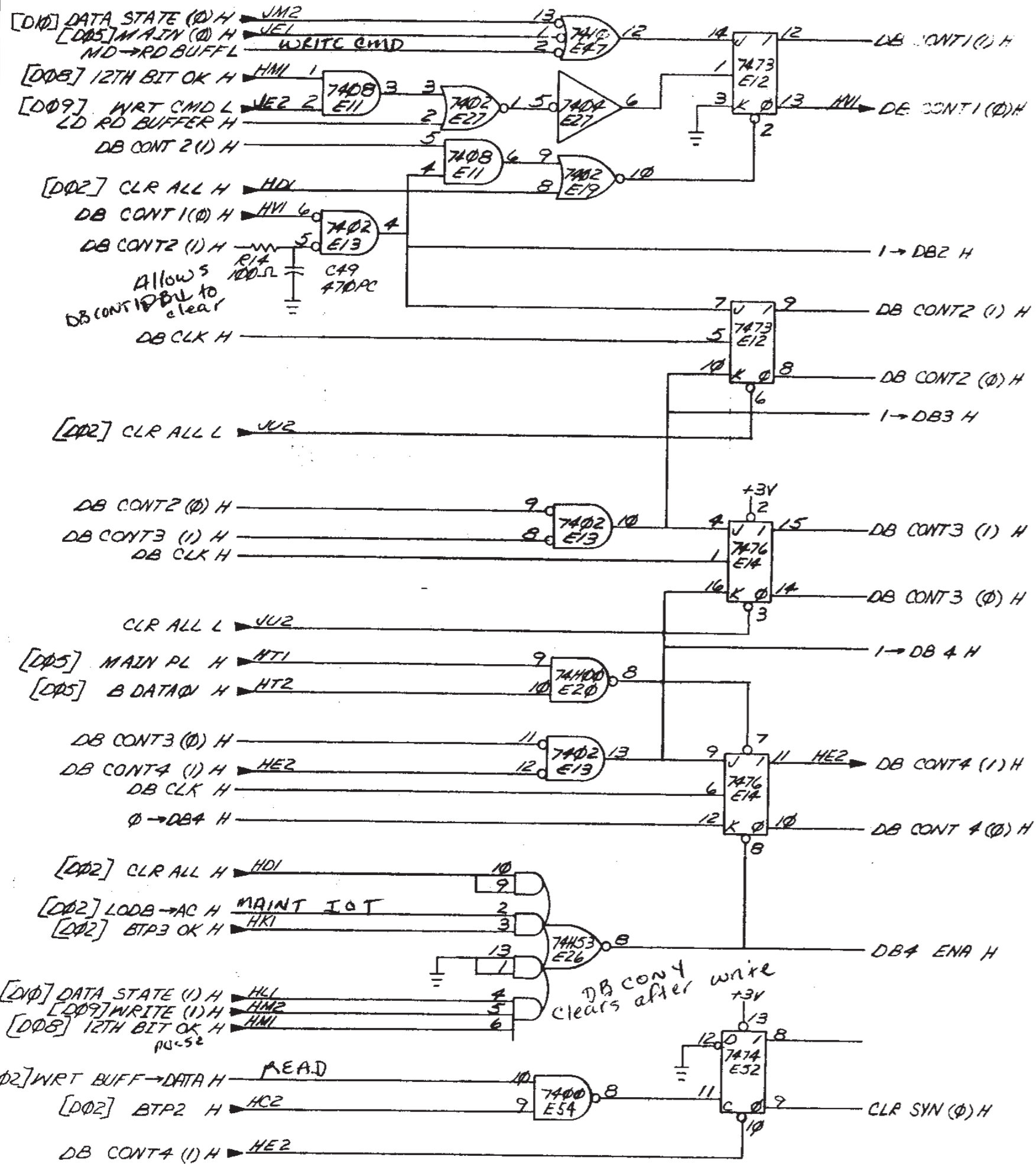




The drawing and specifications, herein, are the property of Digital Equipment Corporation and shall not be reproduced or copied or used in whole or in part as the basis for the manufacture or sale of items without written permission.

CSM7104-0-1

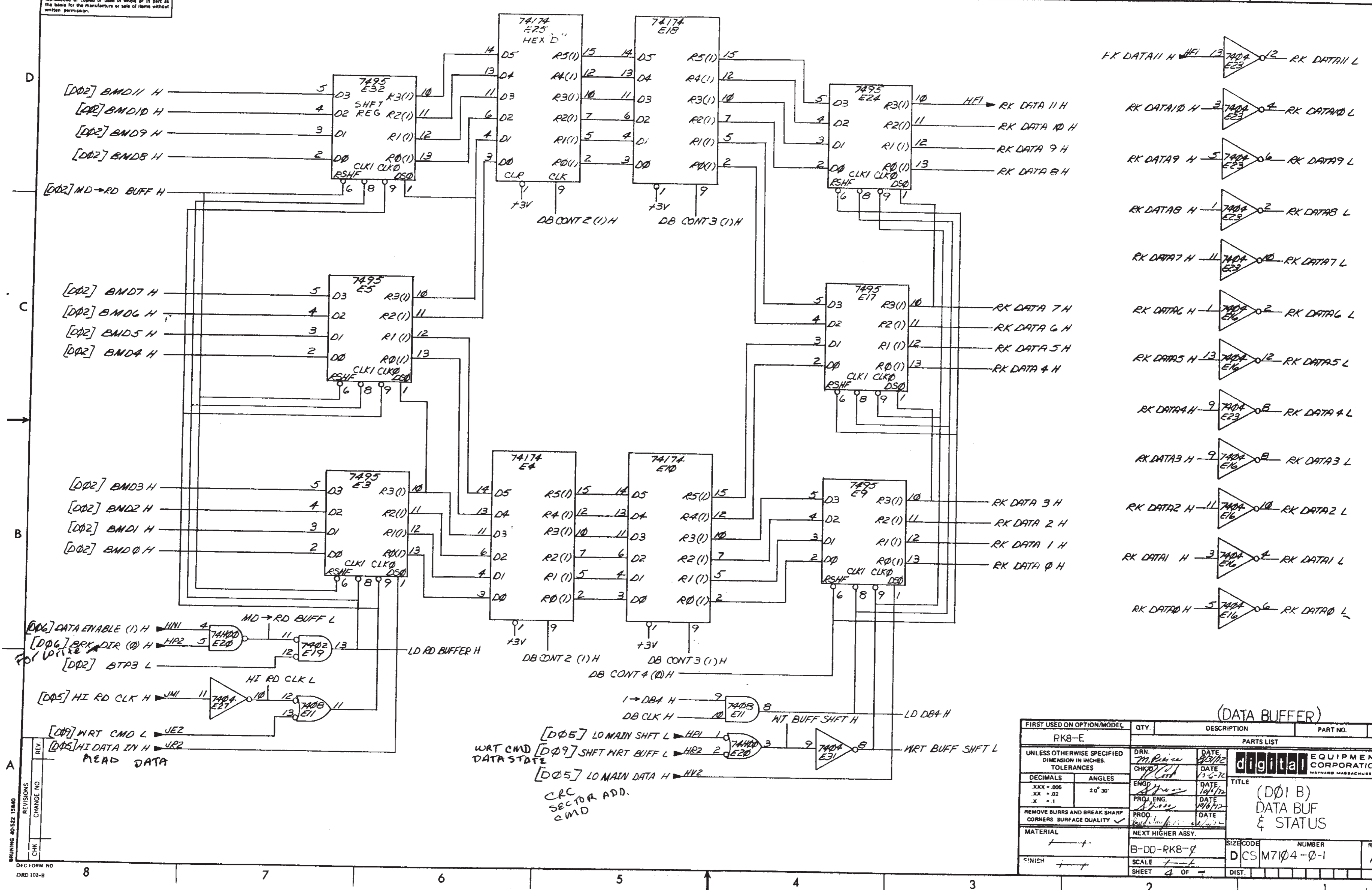


REV  
CHANGE NO  
C/K

FIRST USED ON OPTION/MODEL		QTY.	DESCRIPTION	PART NO.	ITEM NO.
RK8-E					
UNLESS OTHERWISE SPECIFIED DIMENSION IN INCHES TOLERANCES		DRN. <i>m. Rie</i>	DATE <i>10-7-70</i>	PARTS LIST	
DECIMALS	ANGLES	CHK'D <i>Wook</i>	DATE <i>10-7-70</i>	TITLE (D01A) DATA BUF & STATUS	
.XXX - .005	±0° 30'	ENG. <i>Wook</i>	DATE <i>10-7-70</i>	digital EQUIPMENT CORPORATION MAYNARD MASSACHUSETTS	
.XX - .02		PROJ. ENG. <i>Wook</i>	DATE <i>10-7-70</i>		
.X - .1		PROD. <i>Wook</i>	DATE <i>10-7-70</i>		
REMOVE BURRS AND BREAK SHARP CORNERS SURFACE QUALITY		NEXT HIGHER ASSY.			
MATERIAL		B-00-RK8-0	SIZE CODE	NUMBER	REV.
				DCS/M7104-0-1	A
FINISH		SCALE	SHEET	DIST.	
			3 OF -		

REV A  
DCS/M7104-0-1

This drawing and specifications, herein, are the property of Digital Equipment Corporation and shall not be reproduced or copied or used in whole or in part as the basis for the manufacture or sale of items without written permission.



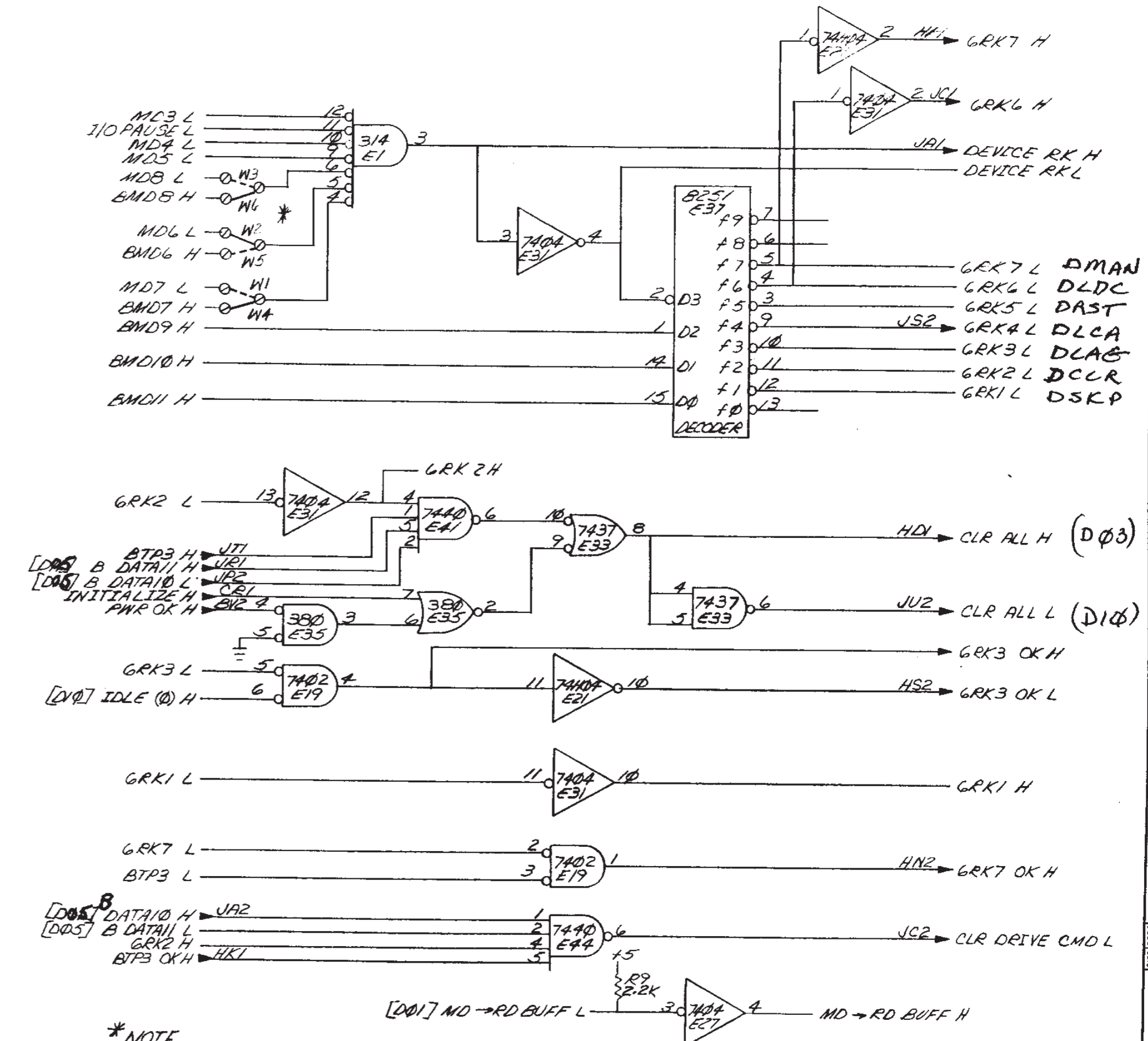
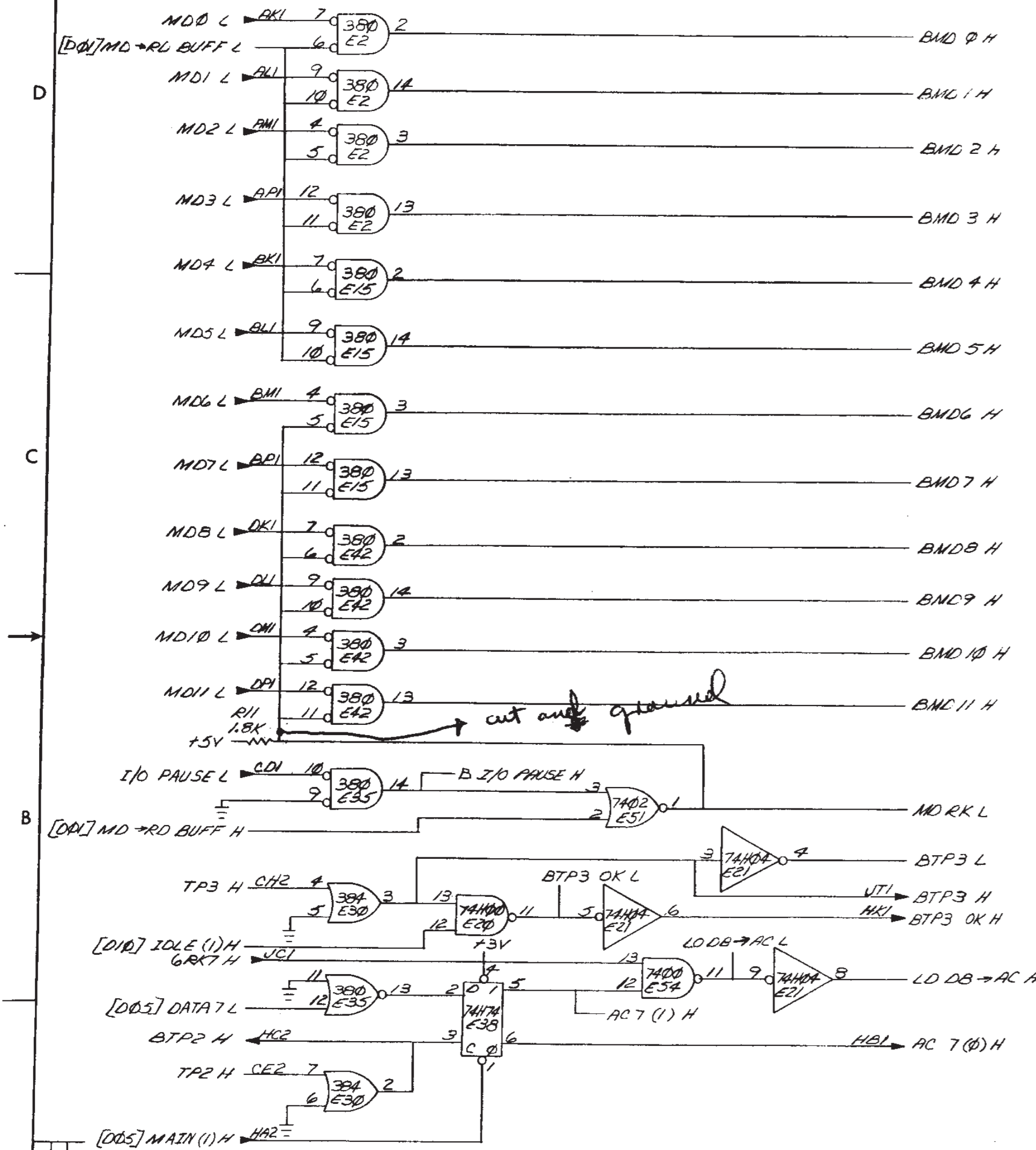
FIRST USED ON OPTION/MODEL	QTY.	DESCRIPTION	PART NO.	ITEM NO.
RK8-E				
PARTS LIST				
UNLESS OTHERWISE SPECIFIED DIMENSION IN INCHES TOLERANCES		DRN. <i>M. R. ...</i>	DATE <i>12/12</i>	 EQUIPMENT CORPORATION MAYNARD MASSACHUSETTS
DECIMALS	ANGLES	CHKD. <i>R. ...</i>	DATE <i>12-6-72</i>	
.XXX - .005	± 0' 30"	ENGR. <i>...</i>	DATE <i>10/1/72</i>	TITLE (DØ1 B) DATA BUF & STATUS
.X - .1		PROJ. ENG. <i>...</i>	DATE <i>10/6/72</i>	
REMOVE BURRS AND BREAK SHARP CORNERS SURFACE QUALITY		PROD. <i>...</i>	DATE <i>...</i>	
MATERIAL		NEXT HIGHER ASSY.		
		B-DD-RK8-Ø	SIZE CODE	NUMBER
1/8" NICH		SCALE	D CS M7104-Ø-1	REV. A
		SHEET 4 OF 4	DIST.	

BRUNING 40-322 15840  
 DEC FORM NO DRD 102-B  
 REVISIONS  
 CHANGE NO

REV A  
 SIZE CODE  
 D CS M7104-Ø-1



This drawing and specifications herein are the property of Digital Equipment Corporation and shall not be reproduced or copied or used in whole or in part as the basis for the manufacture or sale of items without written permission.



\* NOTE  
 IOT 674X AS SHOWN  
 VALID IOT'S ARE 674X  
 675X  
 676X  
 677X

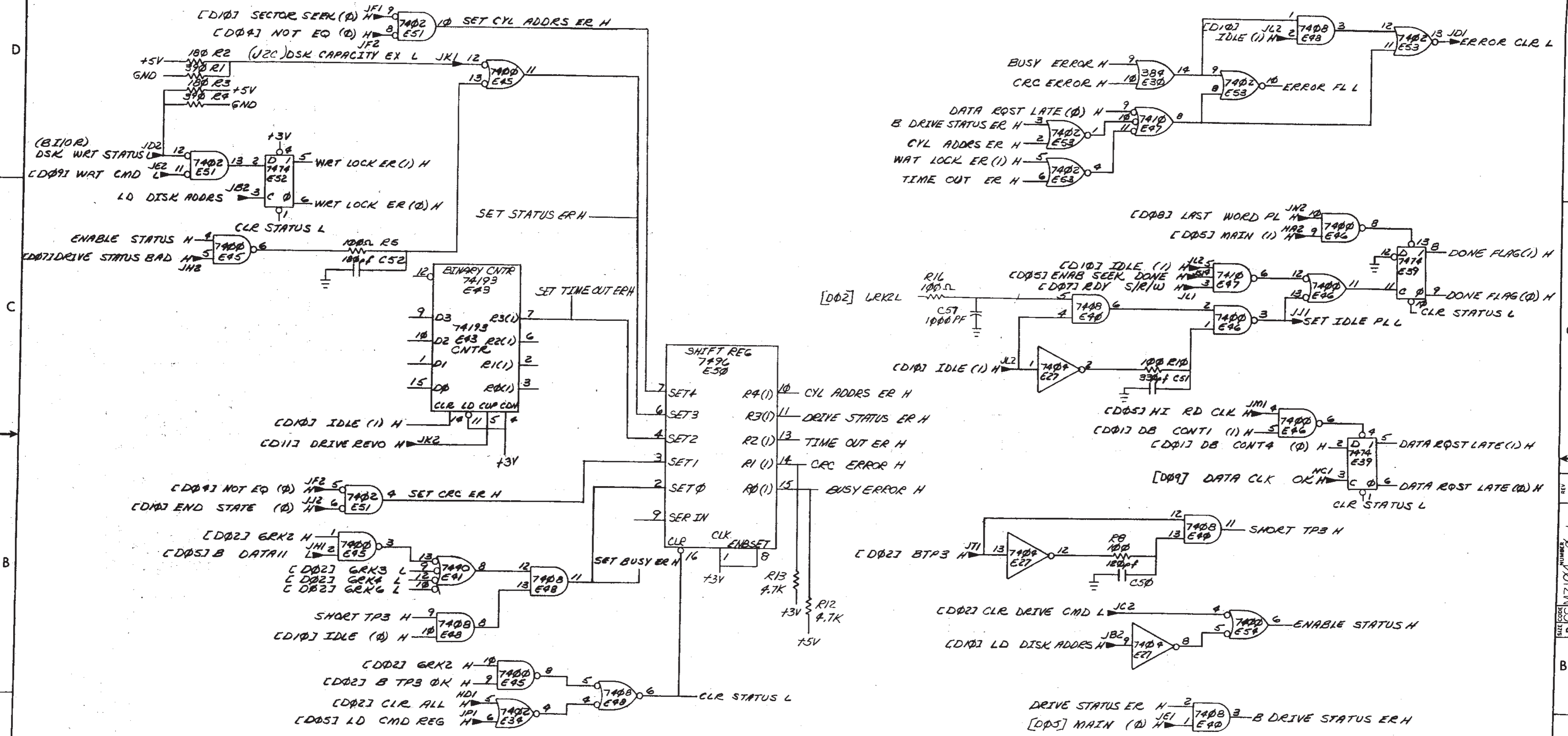
(OMNIBUS RECEIVERS)

FIRST USED ON OPTION/MODEL	QTY.	DESCRIPTION	PART NO.	ITEM NO.
RK8-E				
UNLESS OTHERWISE SPECIFIED DIMENSION IN INCHES TOLERANCES				
DECIMALS	ANGLES	DRN. DATE	PARTS LIST	
.XXX ± .005	± 0° 30'	CHK'D DATE	digital EQUIPMENT CORPORATION	
.XX ± .02		ENG. DATE	MAYNARD, MASSACHUSETTS	
.X ± .1		PROJ. ENG. DATE	TITLE (D02 B) DATA BUF & STATUS	
REMOVE BURRS AND BREAK SHARP CORNERS SURFACE QUALITY		PROD. DATE		
MATERIAL	NEXT HIGHER ASSY.			
FINISH				
SCALE		SIZE CODE	NUMBER	REV.
SHEET 6 OF 6		DIST	DCS M7104-0-1	2

REV. NO. CHANGE NO. CHECK REVISIONS

REV. NO. NUMBER SIZE CODE

This drawing and specifications, herein, are the property of Digital Equipment Corporation and shall not be reproduced or copied in whole or in part as the basis for the manufacture or sale of items without written permission.



(STATUS REGISTER ERROR DETECT)

FIRST USED ON OPTION/MODEL	QTY.	DESCRIPTION	PART NO.	ITEM NO.
RK8-E				
UNLESS OTHERWISE SPECIFIED DIMENSION IN INCHES TOLERANCES				
DECIMALS	ANGLES	TITLE (D03) DATA BUF & STATUS		
.XXX = .005	.XX = .02	DATE 10/6/72		
.X = .1	±0° 30'	DATE 10/6/72		
REMOVE BURRS AND BREAK SHARP CORNERS SURFACE QUALITY				
MATERIAL				
NEXT HIGHER ASSY.				
FINISH		B-DL-RK8-0	SIZE CODE	NUMBER
		D CS M7104-0-1		REV. A
SHEET 7 OF 7		DIST.		

BRUNING 40-522 15840

REVISIONS	CHANGE NO.	REV.
OK	1-1-72	001
	1-1-72	002

DEC 1 FORM NO 17RD 102-B