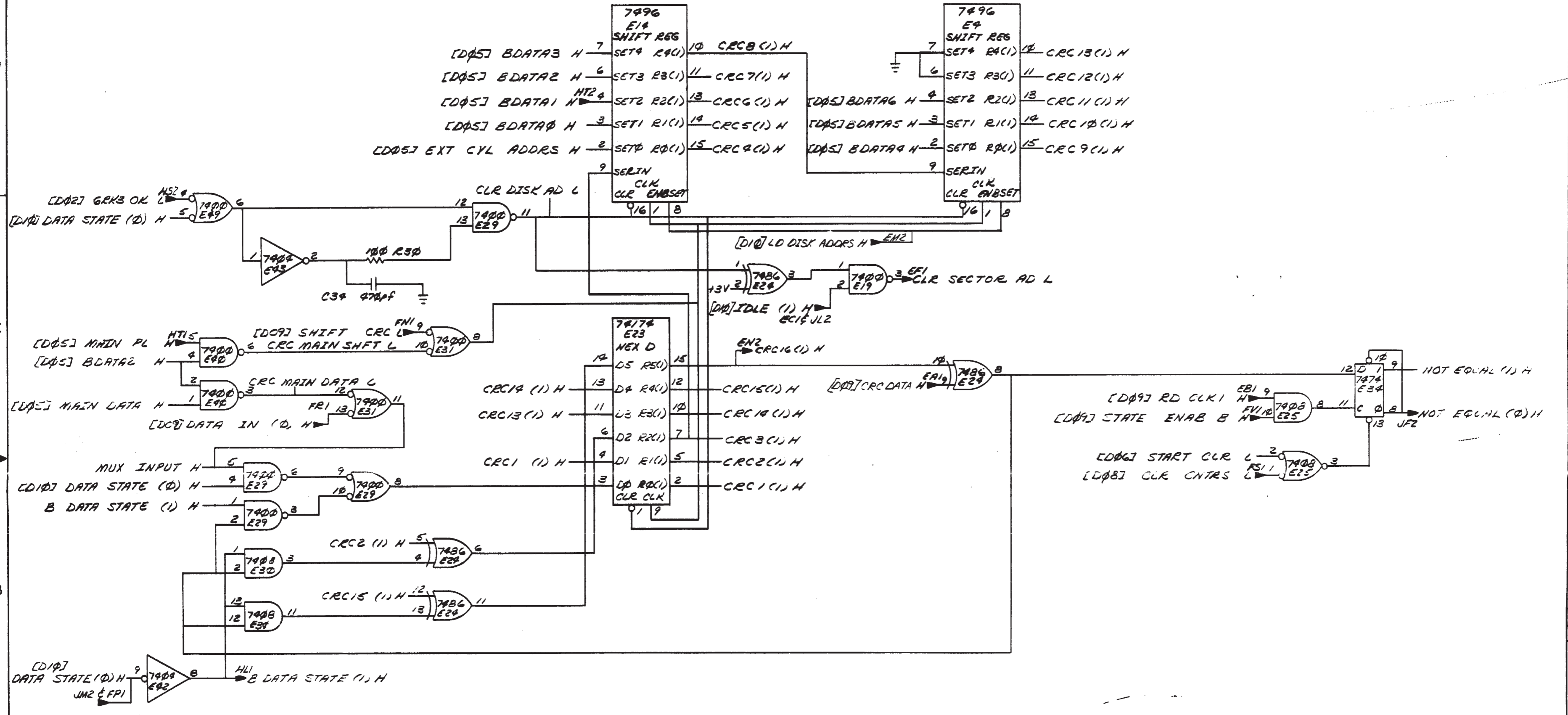


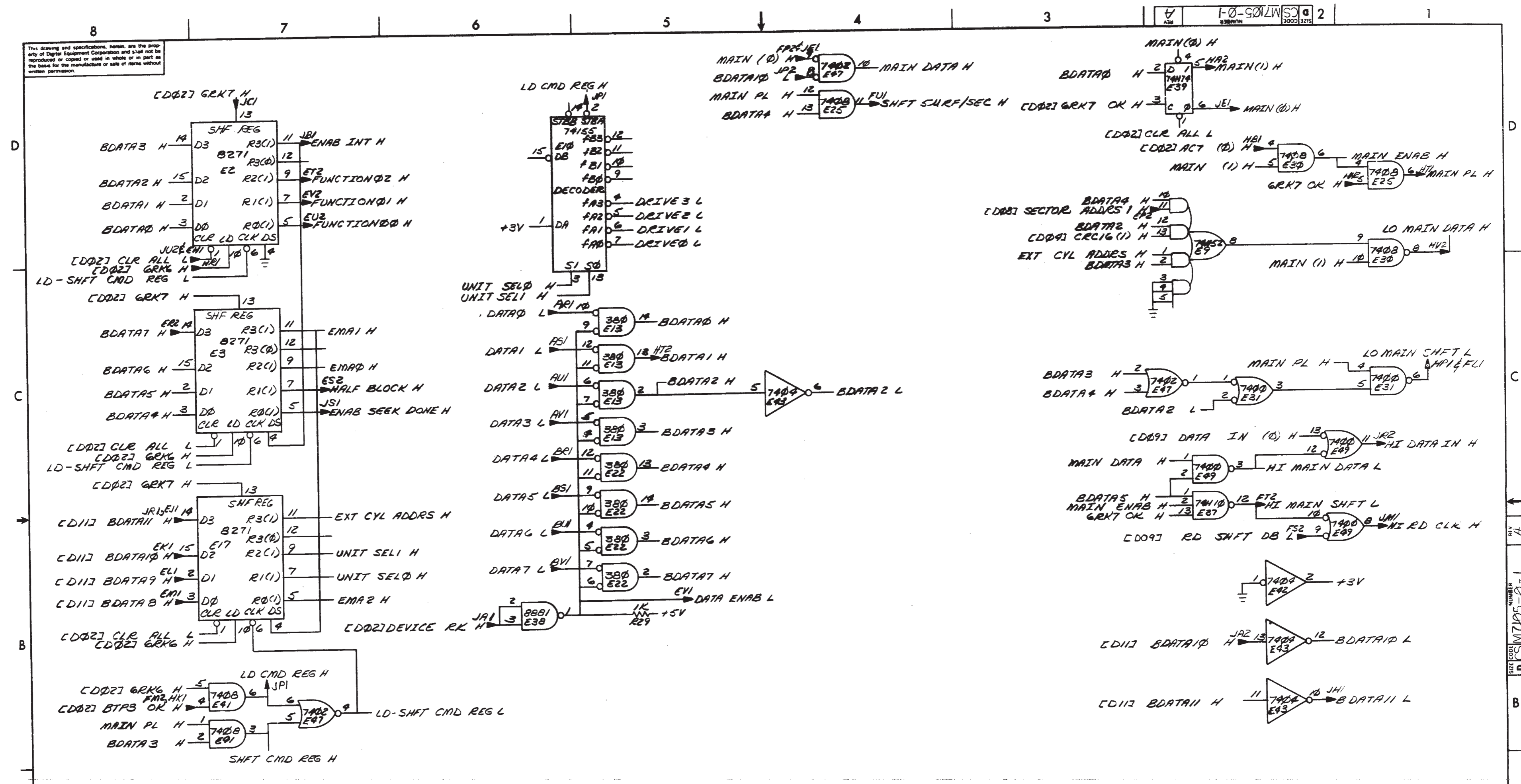
This drawing and specifications, herein, are the property of Digital Equipment Corporation and shall not be reproduced or copied or used in whole or in part as the basis for the manufacture or sale of items without written permission.



BRUNING 40-522 15840	REV	1/91
DEC FORM NO DWD 102-B	CHANGE NO	02 8-1-72
	CHK	JM2 EFP

(CRC/DISK ADDRESS REG)

FIRST USED ON OPTION/MODEL	QTY.	DESCRIPTION	PART NO.	ITEM NO.
RK8-E				
PARTS LIST				
UNLESS OTHERWISE SPECIFIED DIMENSION IN INCHES TOLERANCES	DRN. <i>ck</i>	DATE 6/13/72	digital EQUIPMENT CORPORATION MAYNARD MASSACHUSETTS	
DECIMALS	CHK'D.	DATE	TITLE 004 AUCR REGISTERS	
ANGLES	ENG.	DATE	D04	
XXX - 005 XX - 02 X - 1	PROJ. ENG.	DATE	NUMBER DCS M7 25-D-1	
REMOVE BURRS AND BREAK SHARP CORNERS SURFACE QUALITY	PROD.	DATE	REV. 2	
MATERIAL	NEXT HIGHER ASSY.	SCALE	SHEET 3 OF	
FINISH	DIST.			



This drawing and specifications, herein, are the property of Digital Equipment Corporation and shall not be reproduced or copied or used in whole or in part as the basis for the manufacture or sale of items without written permission.

(COMMAND REG. MAINT. LOGIC)

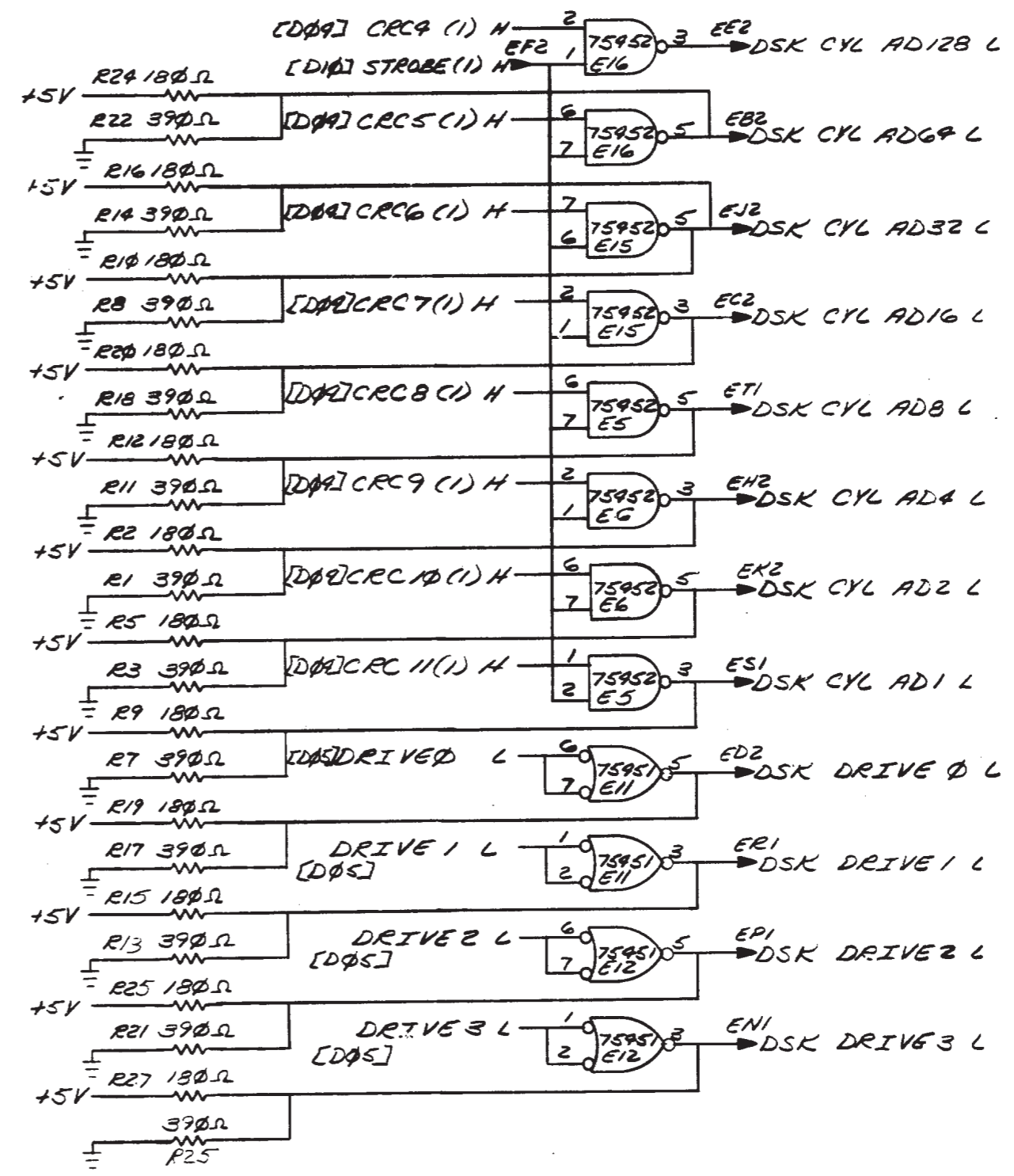
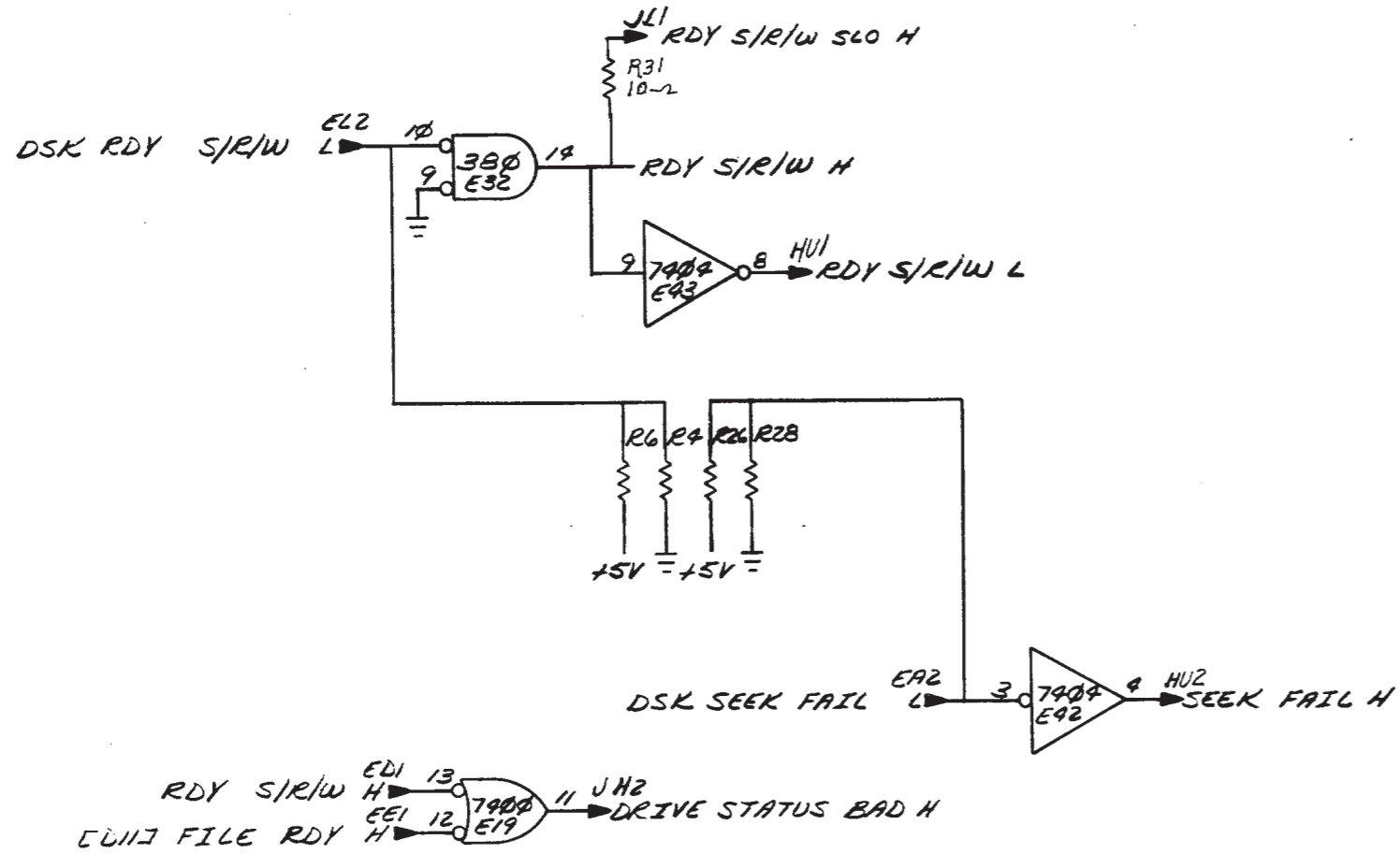
FIRST USED ON OPTION/MODEL	QTY.	DESCRIPTION	PART NO.	ITEM NO.
RK8-E		PARTS LIST		
UNLESS OTHERWISE SPECIFIED DIMENSION IN INCHES TOLERANCES				
DECIMALS	ANGLES	DRN	DATE	digital EQUIPMENT CORPORATION MAYNARD MASSACHUSETTS
XXX + .005 XX + .02 X + .1	± 0° 30'	CHK'D	DATE	
REMOVE BURRS AND BREAK SHARP CORNERS SURFACE QUALITY				
TITLE (D05) MAJOR REGISTER				
MATERIAL	NEXT HIGHER ASSY.	PROJ. ENG.	DATE	SIZE CODE D CS M7105-0-1
FINISH	SCALE	DATE	DATE	
	SHEET 4 OF 6	DIST.		REV. A

BRUNING 40-532 10-60
DEC FORM NO DND 102-8

REV	NO	DATE	BY
1	1	8-1-72	PAI

REV. 4
NUMBER
CS M7105-0-1
A

This drawing and specifications, herein, are the property of Digital Equipment Corporation and shall not be reproduced or copied in whole or in part as the basis for the manufacture or sale of items without written permission.



(DRIVE SIGNALS CABLE J1)

FIRST USED ON OPTION/MODEL	QTY.	DESCRIPTION	PART NO.	ITEM NO.
RK8-E		PARTS LIST		
UNLESS OTHERWISE SPECIFIED DIMENSION IN INCHES TOLERANCES		DRN <i>akibot</i>	DATE 6-14-72	 digital EQUIPMENT CORPORATION MAYNARD MASSACHUSETTS
DECIMALS	ANGLES	CHK'D	DATE	
.XXX - .005	± 0° 30'	ENG	DATE	
XX - .02		PROJ. ENG.	DATE	
X - .1		PROD.	DATE	TITLE (D07) MAJOR REGISTERS
REMOVE BURRS AND BREAK SHARP CORNERS SURFACE QUALITY		DATE		
MATERIAL		NEXT HIGHER ASSY.	SIZE CODE	NUMBER
FINISH		D-VA-RK8-E-0	D	CS M7105-0-1
		SCALE		REV
		SHEET 6 OF		3

BRUNING 40-522 15840

REV	CHG	DATE
1	JK	7/72

DEC FORM NO. DRD 102-B