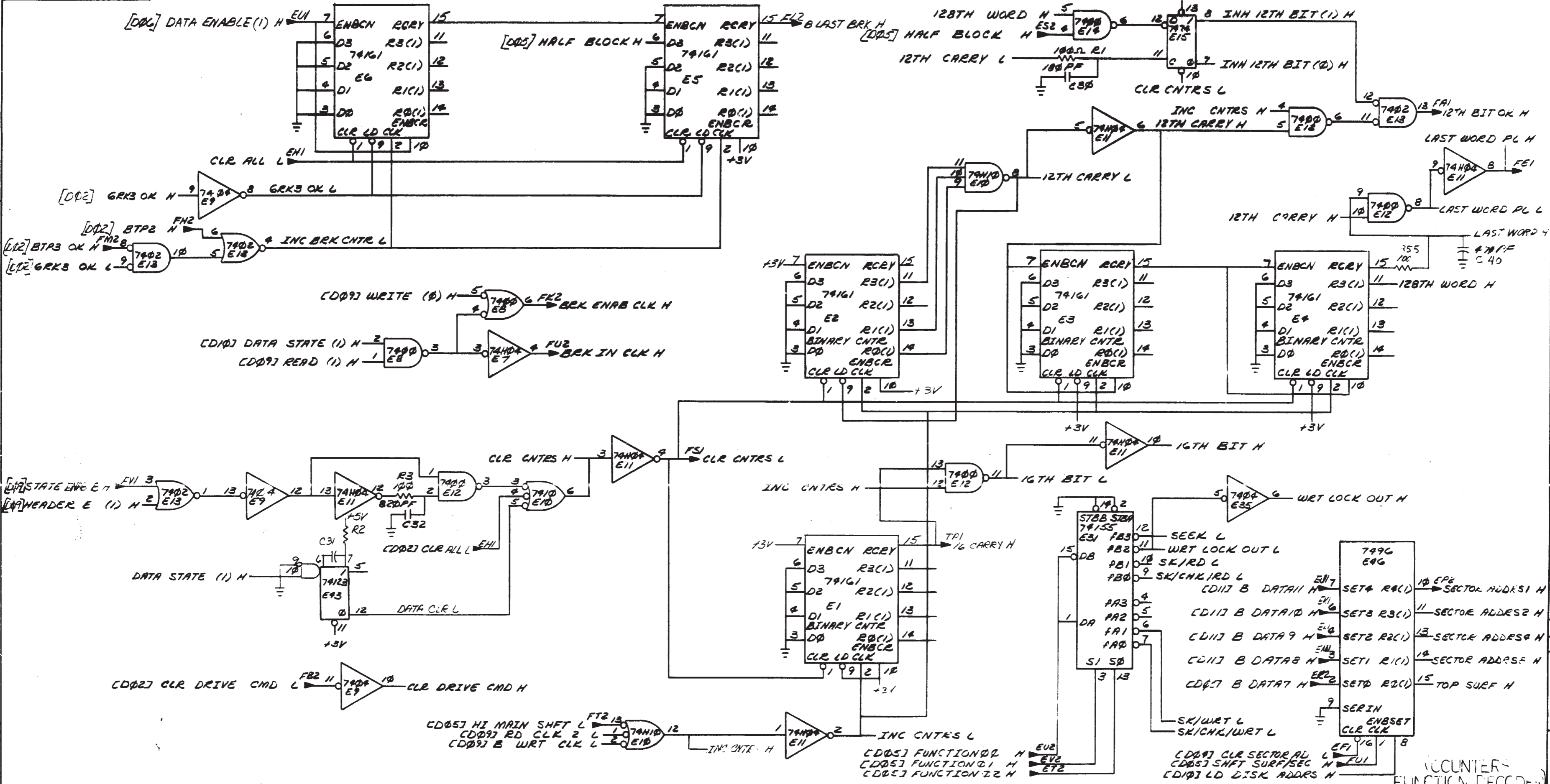






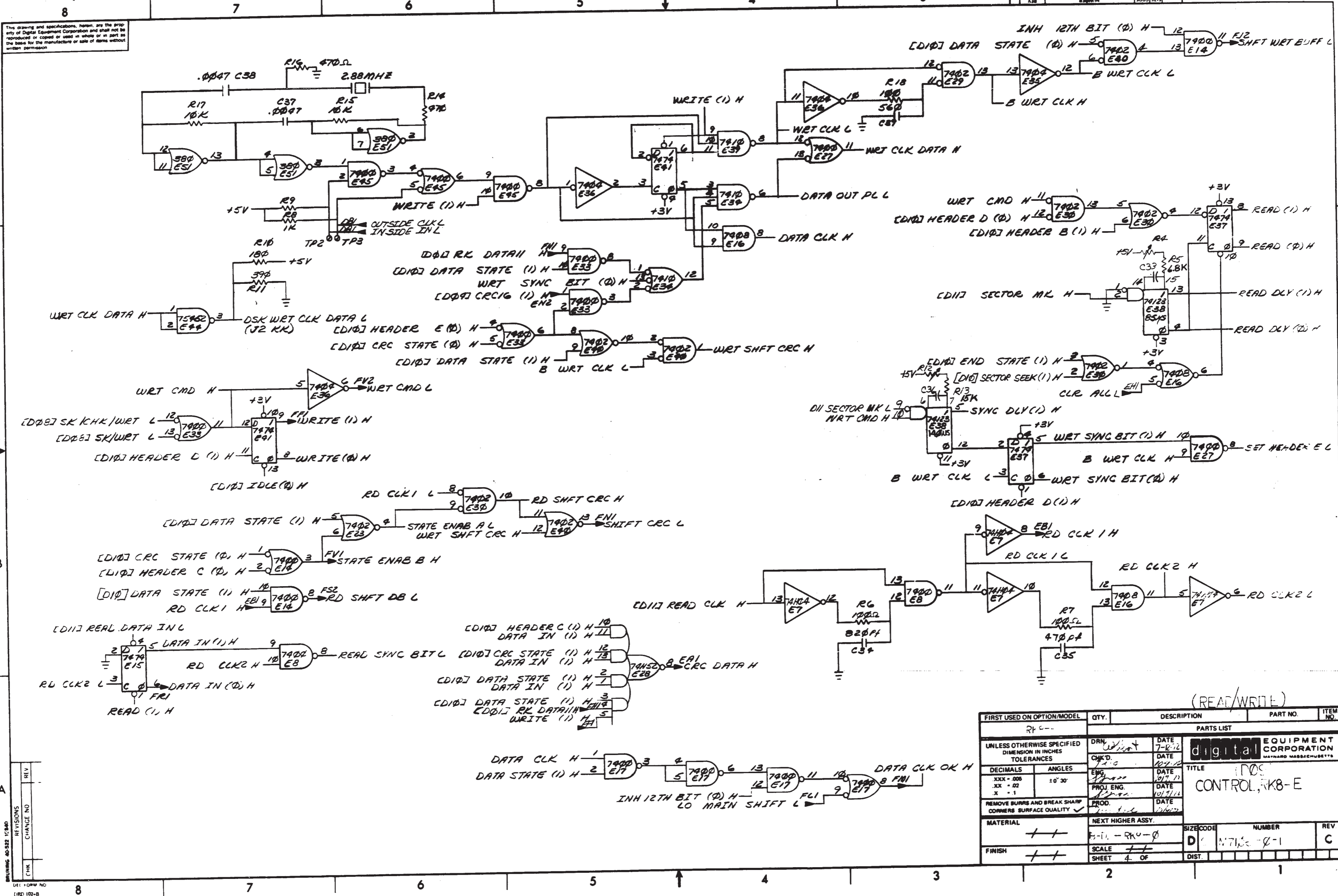
This drawing and specifications herein are the property of Digital Equipment Corporation and shall not be reproduced or copied in whole or in part as the basis for the manufacture or sale of items without written permission.



REV	1
CHG	10X 7/2/72

FIRST USED ON OPTION/MODEL	QTY.	DESCRIPTION	PART NO.	ITEM NO.
RKE-E				
PARTS LIST				
UNLESS OTHERWISE SPECIFIED	DRN: 7/1/72	DATE: 7/1/72	digital EQUIPMENT CORPORATION MAYNARD MASSACHUSETTS	
DIMENSION IN INCHES	CHK'D: [initials]	DATE: 12/7/72	TITLE: (D08) CONTROL RKE-E	
TOLERANCES	ENG: [initials]	DATE: [initials]	SIZE CODE: DCS M7176-C-1	
DECIMALS	PROJ. ENG: [initials]	DATE: [initials]	NUMBER: [initials]	
ANGLES	PROD. [initials]	DATE: [initials]	REV: [initials]	
XXX - 005				
XX - 02				
X - 1				
REMOVE BURRS AND BREAK SHARP CORNERS SURFACE QUALITY				
MATERIAL	NEXT HIGHER ASSY.		SCALE	SHEET 3 OF 3
FINISH	E-11-118-0		DIST	

The drawing and specifications herein are the property of Digital Equipment Corporation and shall not be reproduced or copied or used in whole or in part as the basis for the manufacture or sale of items without written permission.

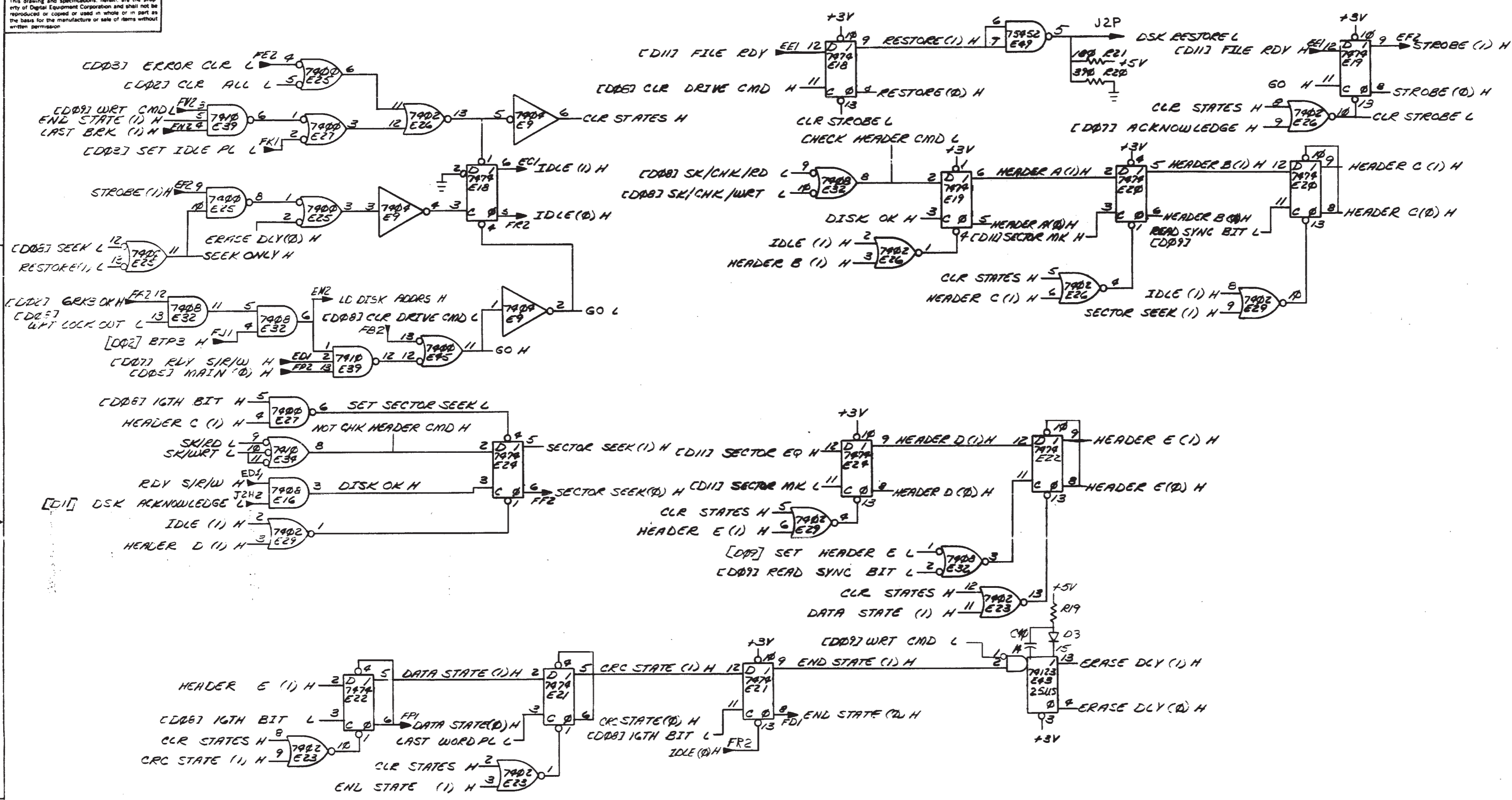


FIRST USED ON OPTION/MODEL	QTY.	DESCRIPTION	PART NO.	ITEM NO.
R1 C--		PARTS LIST		
UNLESS OTHERWISE SPECIFIED DIMENSION IN INCHES TOLERANCES	DRN CHK'D	DATE 7-8-72	EQUIPMENT CORPORATION MAYNARD MASSACHUSETTS	
DECIMALS .XXX - .000 ANGLES ±0° 30'	ENG PROJ. ENG.	DATE 10/11/72	TITLE CONTROL, MK8-E	
REMOVE BURRS AND BREAK SHARP CORNERS SURFACE QUALITY	PROD.	DATE		
MATERIAL	NEXT HIGHER ASSY.	SIZE CODE	NUMBER	REV
FINISH	SCALE	SHEET 4 OF	DIST	C

REVISIONS  
CHANGE NO.  
CHK

DATE 10/11/72  
REV 102-B

This drawing and specifications herein are the property of Digital Equipment Corporation and shall not be reproduced or copied or used in whole or in part as the basis for the manufacture or sale of items without written permission.

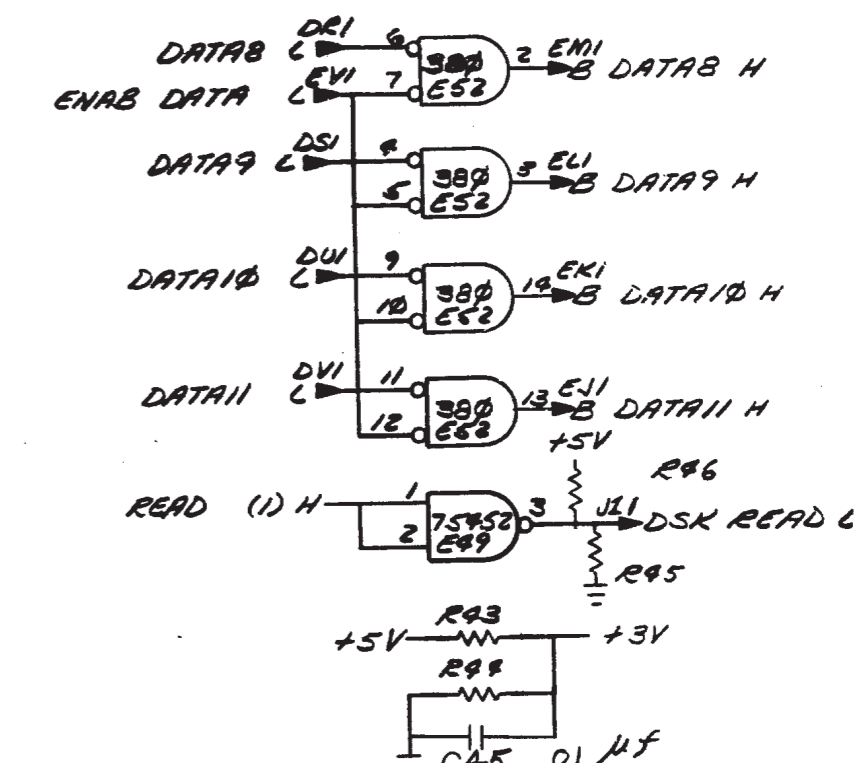
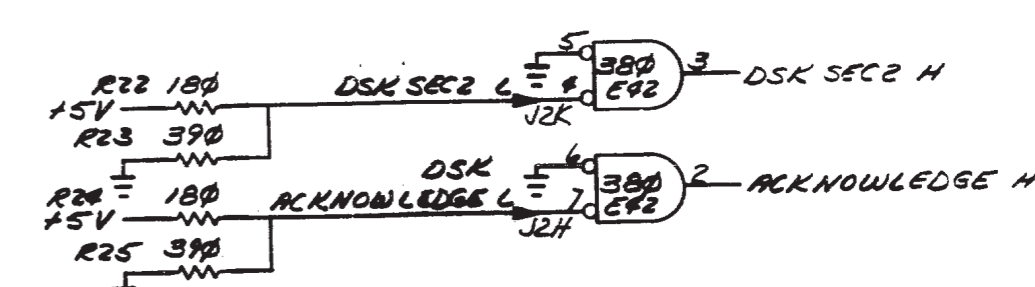
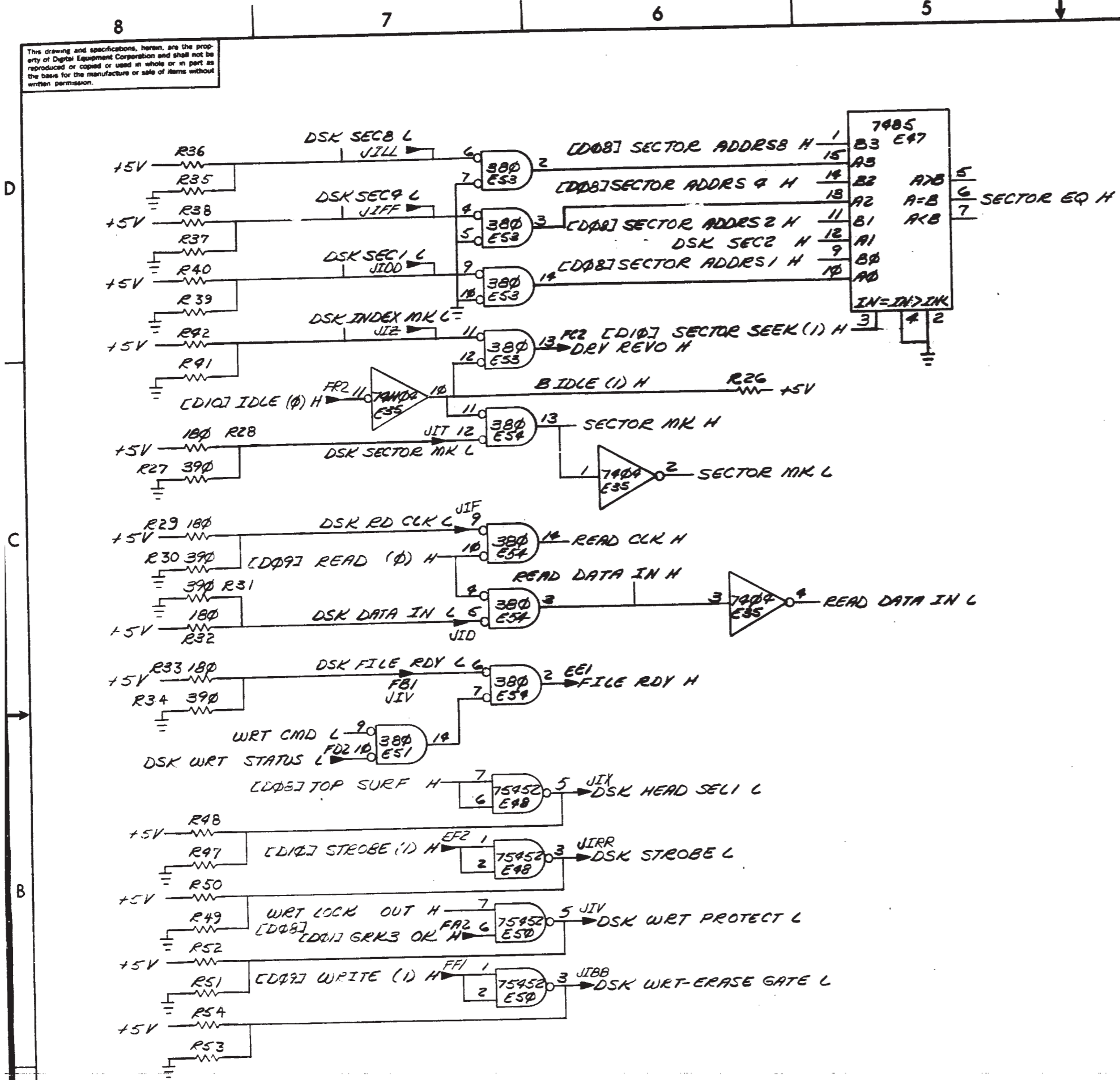


REV	CHANGE NO

(MAJOR STATES)

FIRST USED ON OPTION/MODEL	QTY.	DESCRIPTION	PART NO.	ITEM NO.
RK8-E				
PARTS LIST				
UNLESS OTHERWISE SPECIFIED DIMENSION IN INCHES TOLERANCES	DRN. <i>Admitt</i>	DATE 7-14-72	<b>digital</b> EQUIPMENT CORPORATION MAYNARD MASSACHUSETTS TITLE (D10) CONTROL, RK8-E	
DECIMALS .005	CHKD. <i>Admitt</i>	DATE 11-2-72		
ANGLES 10' 30"	ENG. <i>Admitt</i>	DATE 11-2-72		
XXX - .005 XX - .02 X - .1	PROJ. ENG. <i>Admitt</i>	DATE 11-2-72		
REMOVE BURRS AND BREAK SHARP CORNERS SURFACE QUALITY	PROD. <i>Admitt</i>	DATE 11-2-72		
MATERIAL	NEXT HIGHER ASSY.		SIZE CODE	NUMBER
FINISH	B-DI-RKE-R	SCALE	D	M7106-0-1
	SHEET	OF	DIST.	REV. B

The drawing and specifications, herein, are the property of Digital Equipment Corporation and shall not be reproduced or copied in whole or in part as the basis for the manufacture or sale of items without written permission.



J2

UU	DSK CYL ADB L	ET1
SS	DSK CYL AD2 L	ET2
PP	DSK CYL ADG L	EB2
MM	DSK CYL AD16 L	EB3
KK	DSK WRT CLK DATA L	E44-3
NN	DSK CYL AD12 L	EE2
EE	DSK RDY SIR/W L	EL2
CC	DSK CYL AD 52 L	EJ2
AA	DSK DRIVE 0 L	ED2
Y	DSK CYL AD1 L	ES1
W	DSK DRIVE 1 L	ER1
U	DSK CYL AD4 L	EN2
S	DSK DRIVE 2 L	EP1
P	DSK RESTORE L	E49-5
M	DSK DRIVE 3 L	EN1
K	DSK SEC 2 L	EA2-4
H	DSK ACKNOWLEDGE L	EA2-7
E	DSK SEEK FAIL L	EA2
C	DSK CAPACITY EX L	FC1
GND		B, D, F, J, L, N, R, T, V, X, Z, BB, DD, FF, JJ, LL, NN, RR, TT, VV.

J1

Q	DSK DATA IN L	ES4-5
F	DSK RD CLK L	ES4-9
V	DSK WRT PROTECT L	ES4-5
L	DSK READ L	E49-3
R	DSK WRT STATUS L	F02
T	DSK SECTOR MK L	E54-12
	DSK FILE RDY L	E54-4
X	DSK HEAD SEL 1 L	E48-5
Z	DSK INDEX MK L	E53-11
BB	DSK WRT-ERASE GATE L	E50-3
DD	DSK SEC 1 L	E53-9
FF	DSK SEC 4 L	E53-4
LL	DSK SEC 8 L	E53-6
RR	DSK STROBE L	E48-3
T, T		BV2
GND		A, B, C, E, H, K, M, P, S, U, W, Y, AA, CC, EE, HH, KK, MM, PP, SS, UU.

(DRIVE SIGNALS CABLE J2 DRIVERS)

FIRST USED ON OPTION/MODEL	QTY.	DESCRIPTION	PART NO.	ITEM NO.
RK8-E		PARTS LIST		
UNLESS OTHERWISE SPECIFIED DIMENSION IN INCHES TOLERANCES		DRN. 7-19-72	DATE	digital EQUIPMENT CORPORATION MAYNARD MASSACHUSETTS
DECIMALS ANGLES		CHK'D. 12-7-72	DATE	
.XX - .006 ±0° 30'		ENG. 12-15-72	DATE	TITLE (DTP) CONTROL, RK8-E
.X - .1		PROJ. ENG. 12-15-72	DATE	
REMOVE BURRS AND BREAK SHARP CORNERS SURFACE QUALITY		PROD. 12-15-72	DATE	
MATERIAL	++	NEXT HIGHER ASSY.	SIZE CODE	NUMBER
FINISH	++	B-DD-RK8-0	DCS M7106-0-1	REV C
SCALE		++	DIST.	
SHEET 6 OF				

REVISIONS

NO.	DATE	BY	REV.
1	12/15/72	JHK	1

DEC FORM NO. DRD 102-B