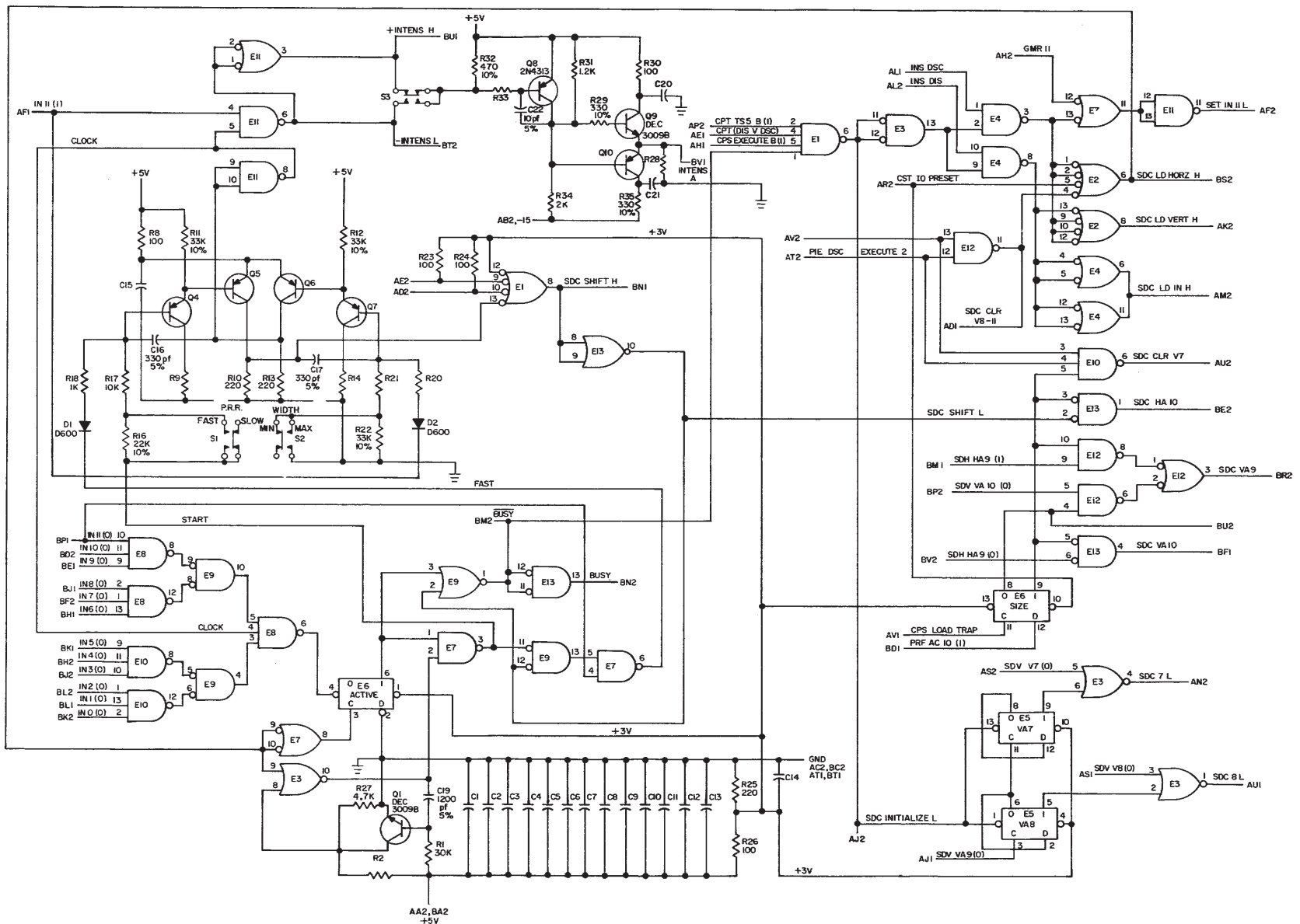


THIS SCHEMATIC IS FURNISHED ONLY FOR TEST AND MAINTENANCE PURPOSES. THE CIRCUITS ARE PROPRIETARY IN NATURE AND SHOULD BE TREATED ACCORDINGLY. COPYRIGHT 1969 BY DIGITAL EQUIPMENT CORPORATION

3 1-0-111M SC 0  
A38 #38W7M 3000 325



UNLESS OTHERWISE INDICATED:

- TRANSISTORS ARE DEC3639B
- CAPACITORS ARE .01 MFD, 100V, 20%
- RESISTORS ARE 2.2K, 1/4W, 5%
- S1, S2, S3 ARE 1209698
- E5, E6 ARE DEC7474
- E4, E7, E11, E12 ARE DEC7400
- E3, E9, E13 ARE DEC7402
- E8, E10 ARE DEC7410
- E1, E2 ARE DEC7440
- PIN 7 ON EACH IC = GND
- PIN 14 ON EACH IC = +5V

REVISIONS				TRANSISTOR & DIODE CONVERSION CHART				TITLE					
CHG	DATE	BY	REV	DEC	DEC	EIA	DEC	EIA	DEC	CS	NUMBER	REV	C
1	DEC 1969	W. H. ...	1	DEC 3639B	2N3639						SCOPE CONTROL M711		
2	DEC 1969	W. H. ...	2	7400	7400						EQUIPMENT CORPORATION		
3	DEC 1969	W. H. ...	3	7409B	7409B						DIGITAL EQUIPMENT CORPORATION		
4	DEC 1969	W. H. ...	4	7410	7410						PRINTED CIRCUIT REV.		