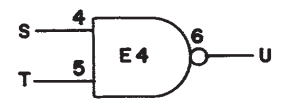
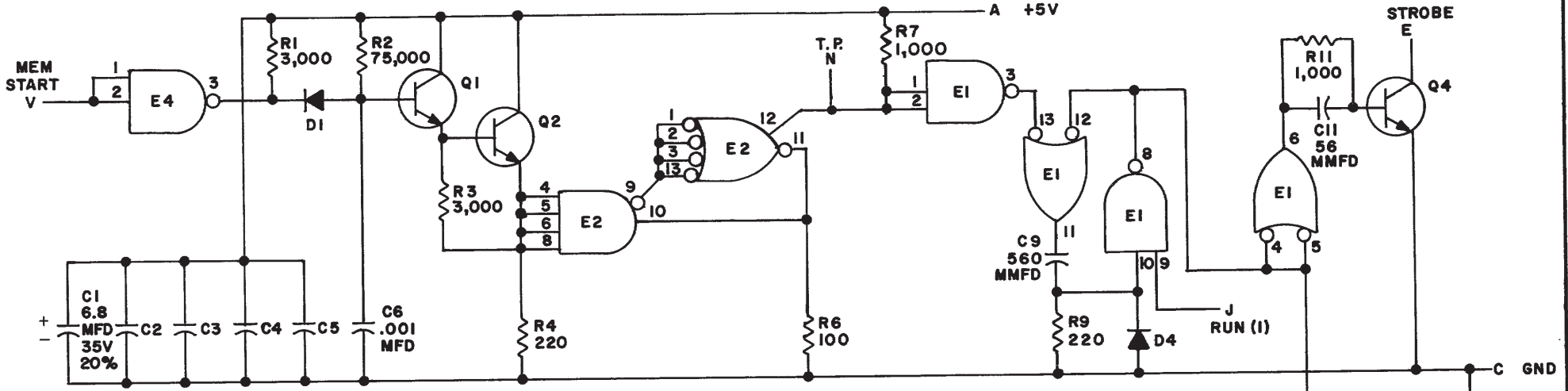
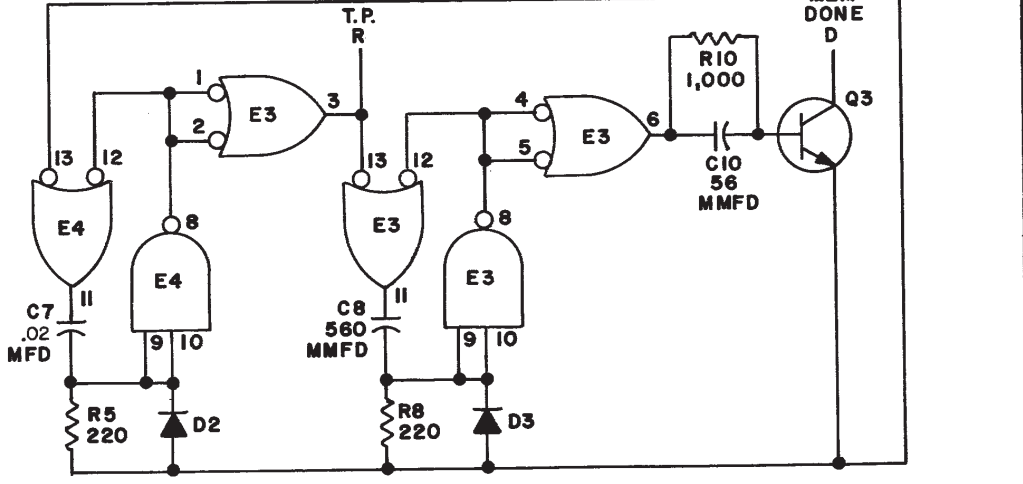


THIS SCHEMATIC IS FURNISHED ONLY FOR TEST AND MAINTENANCE PURPOSES. THE CIRCUITS ARE PROPRIETARY IN NATURE AND SHOULD BE TREATED ACCORDINGLY. COPYRIGHT 1967 BY DIGITAL EQUIPMENT CORPORATION



UNLESS OTHERWISE INDICATED:
 CAPACITORS ARE .01 MFD
 DIODES ARE D664
 RESISTORS ARE 1/4W, 5%
 TRANSISTORS ARE DEC3009B
 E1, E3, E4 ARE DEC7400N
 PIN 7 ON EACH IC = GND
 PIN 14 ON EACH IC = +5V
 E2 IS DEC7460N



REVISIONS	CHK CHG NO. REV. A	DRN. M. Waller	DATE 9-28-67	TRANSISTOR & DIODE CONVERSION CHART				digital	TITLE MEMORY DETECTION M720			
	44.00001	A	CHK'D R. Sullivan	DATE 9/21/67	DEC	EIA	DEC		EIA	SIZE B	CODE CS	NUMBER M720-0-1
		ENG. D. Boyle	DATE 9/28/67	DEC3009B	2N3009			EQUIPMENT CORPORATION				
		PROD. J.B.	DATE	D664	1N3606			MAYNARD, MASSACHUSETTS				
								PRINTED CIRCUIT REV. A				