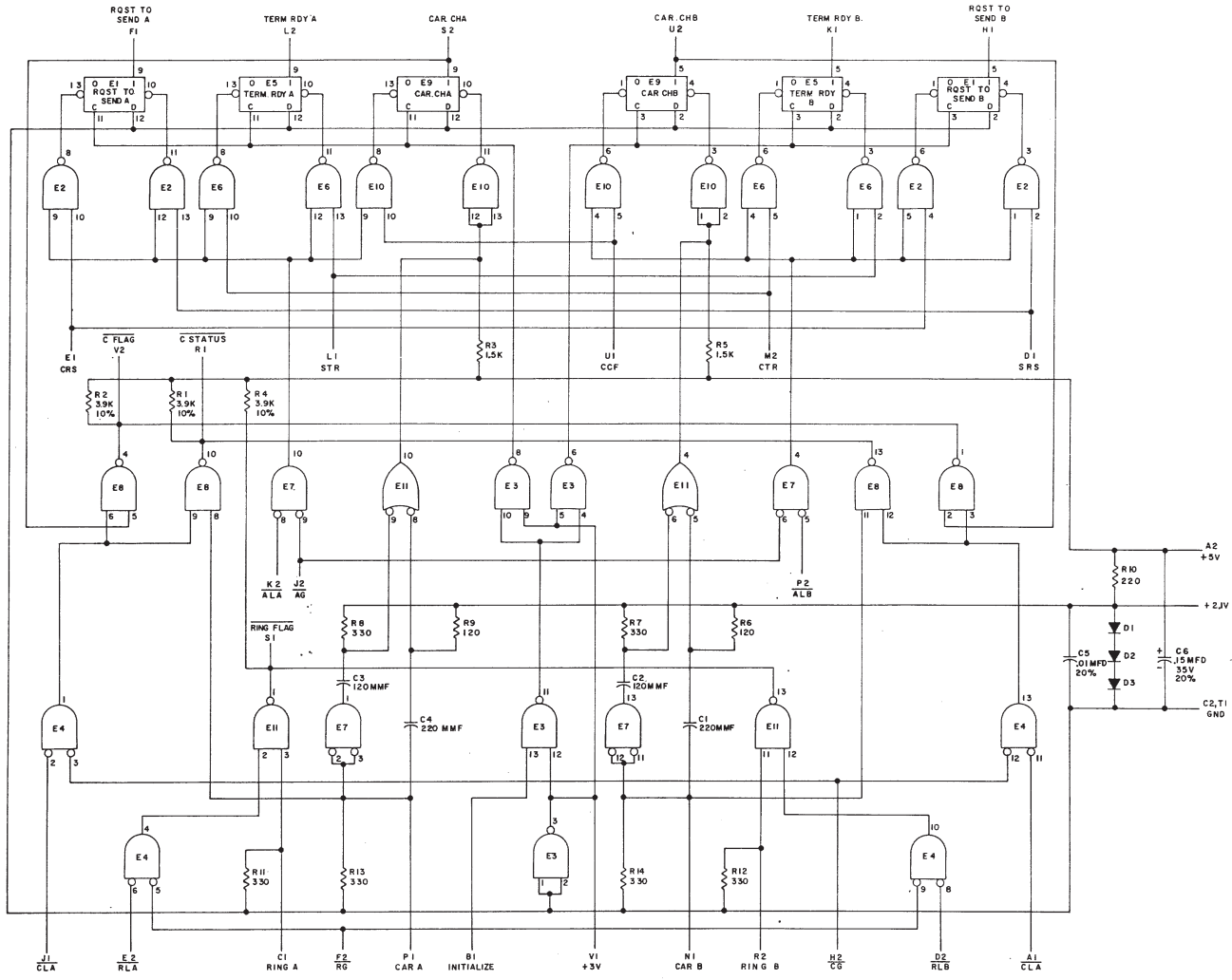


THIS SCHEMATIC IS FURNISHED ONLY FOR TEST AND MAINTENANCE PURPOSES. THE CIRCUITS ARE PROPRIETARY IN NATURE AND SHOULD BE TREATED ACCORDINGLY. COPYRIGHT 1968 BY DIGITAL EQUIPMENT CORPORATION.



UNLESS OTHERWISE INDICATED  
PIN 7 ON EACH IC = GND  
PIN 14 ON EACH IC = +5V  
E1, E5, E9 ARE DEC7474N  
E4, E7, ARE DEC7402N  
E8, E11 ARE DEC7401N  
E2, E3, E6, E10 ARE DEC7400N  
DIODES ARE D662  
RESISTORS ARE 1/4W, 5%  
CAPACITORS ARE 100V, 5%

REVISIONS	DATE	BY
1		
2		
3		
4		

DATE	DESIGNED BY	DATE	DESIGNED BY
10/1/68	J. P. ...	10/1/68	J. P. ...
DATE	DESIGNED BY	DATE	DESIGNED BY
10/1/68	J. P. ...	10/1/68	J. P. ...
DATE	DESIGNED BY	DATE	DESIGNED BY
10/1/68	J. P. ...	10/1/68	J. P. ...

TRANSISTOR & DIODE CONVERSION CHART			TITLE	
DEC	EX		ASYNC MODEM LINE CONTROL	
DEC	EX	M753		
DEC	EX	NUMBER		
DEC	EX	D   CS   M753-0-1		
DEC	EX	REV. C		
DEC	EX	PRINTED CIRCUIT REV. B		

PART NO. M753-0-1