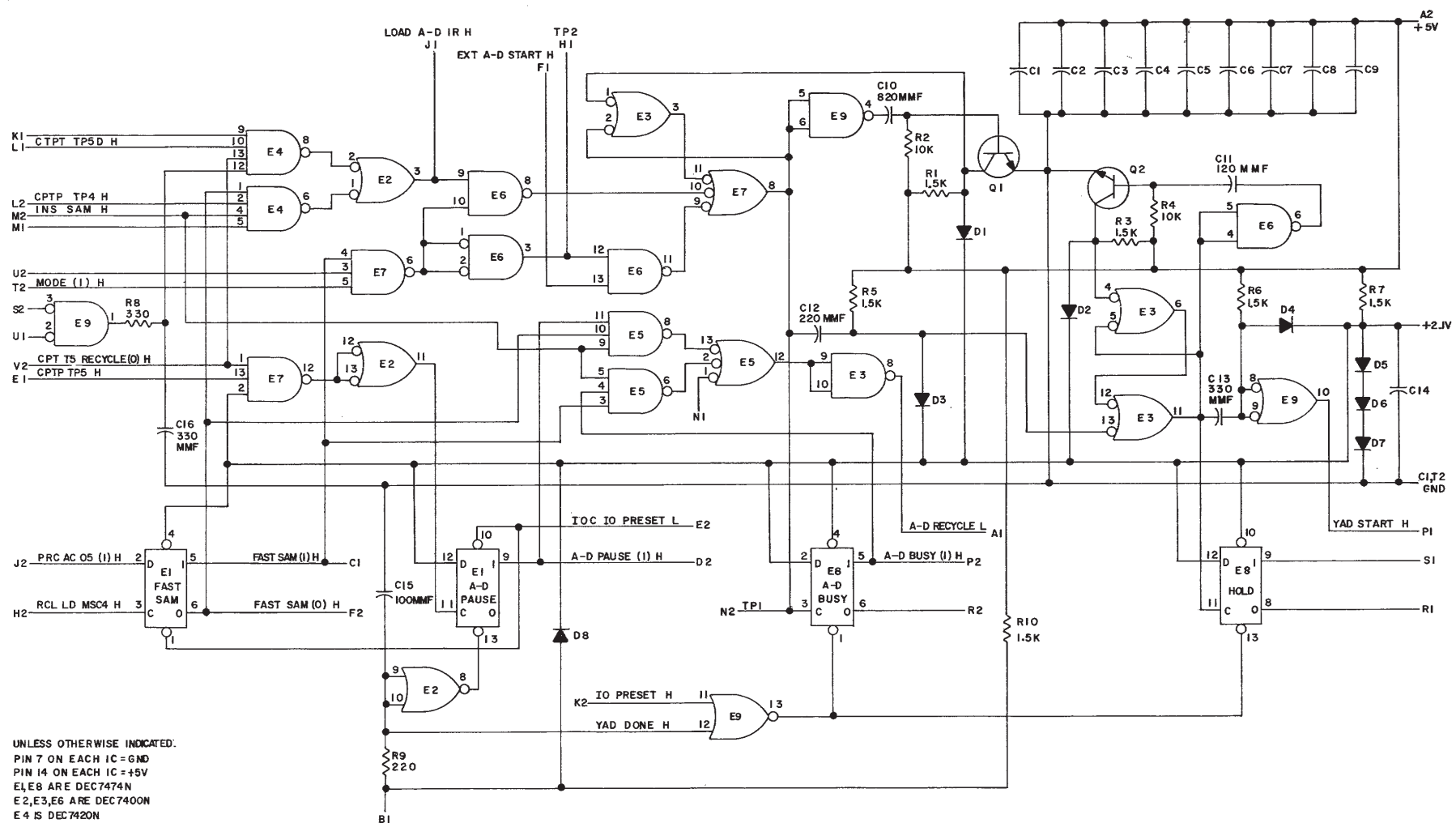


THIS SCHEMATIC IS FURNISHED ONLY FOR TEST AND MAINTENANCE PURPOSES. THE CIRCUITS ARE PROPRIETARY IN NATURE AND SHOULD BE TREATED ACCORDINGLY. COPYRIGHT 1969 BY DIGITAL EQUIPMENT CORPORATION



UNLESS OTHERWISE INDICATED:
 PIN 7 ON EACH IC = GND
 PIN 14 ON EACH IC = +5V
 E1, E8 ARE DEC7474N
 E2, E3, E6 ARE DEC7400N
 E4 IS DEC7420N
 E5, E7 ARE DEC7410N
 E9 IS DEC7402N
 CAPACITORS ARE .01MFD, 100V
 DIODES ARE D664
 RESISTORS ARE 1/4W 5%
 TRANSISTORS ARE DEC3009B

REV. NUMBER
 M760-0-1
 SIZE CODE CS
 C

REVISIONS	CHK	CHG	NO.	REV.

DRN	DATE		
ENGR	DATE		
PROD.	DATE		

TRANSISTOR & DIODE CONVERSION CHART			
DEC	EIA	DEC	EIA
D664	IN3606		
DEC3009B	2N3009B		

digital
 EQUIPMENT CORPORATION
 MAYNARD, MASSACHUSETTS

TITLE		A-D CONTROL	
		M760	
SIZE	CODE	NUMBER	REV.
C	CS	M760-0-1	
PRINTED CIRCUIT REV.			A