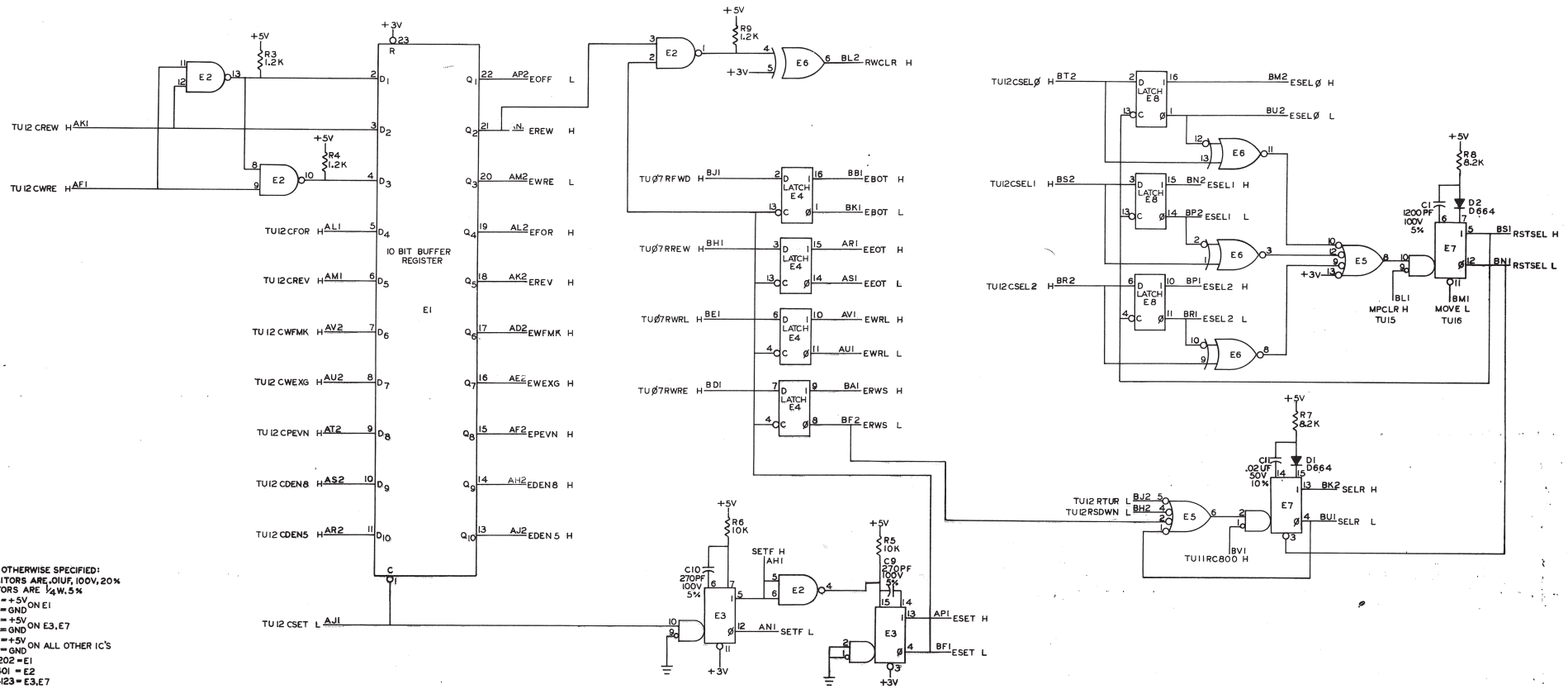
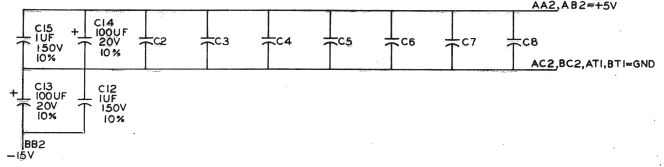
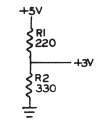


THIS SCHEMATIC IS FURNISHED ONLY FOR TEST AND MAINTENANCE PURPOSES. THE CIRCUITS ARE PROPRIETARY IN NATURE AND SHOULD BE TREATED ACCORDINGLY. COPYRIGHT 1971 BY DIGITAL EQUIPMENT CORPORATION

V 1-0-2/9LW SD Q
316 517MM 3923 1233



UNLESS OTHERWISE SPECIFIED:
CAPACITORS ARE .01U, 100V, 20%
RESISTORS ARE 1/4W, 5%
PIN 24 = +5V
PIN 12 = GND ON E1
PIN 16 = +5V
PIN 8 = GND ON E3, E7
PIN 14 = +5V
PIN 7 = GND ON ALL OTHER IC'S
DEC 8202 = E1
DEC 7401 = E2
DEC 74123 = E3, E7
DEC 7475 = E4, E8
DEC 7420 = E5
DEC 7486 = E6
PIN 12 = GND ON E4, E8
PIN 5 = +5V



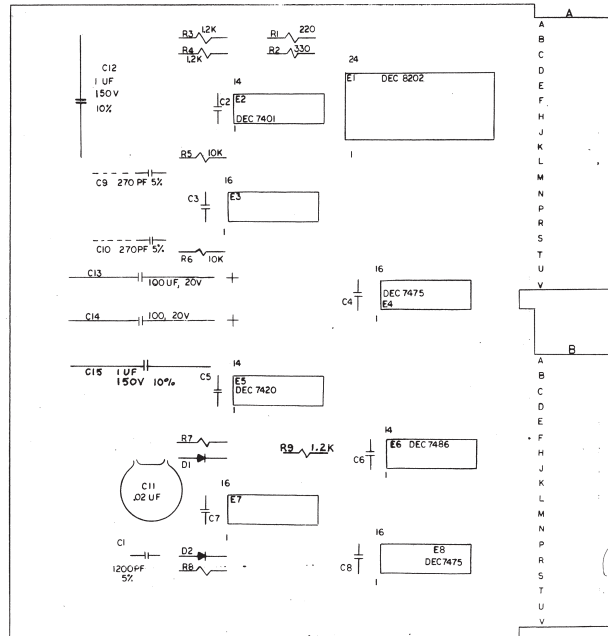
SHEET 2 OF 2

REV	DATE	BY	CHKD	DATE	TRANSISTOR & DIODE CONVERSION CHART		TITLE	NUMBER
1	12-19-71	W. W. W.			DEC EIA DEC EIA		TU 10 COMMAND	BUFFERS TU13
2	12-17-71	W. W. W.			D 664 IN300E	EQUIPMENT CORPORATION	SIZE CODE	M7672-0-1
3	12-17-71	W. W. W.				MAYNARD, MASSACHUSETTS	PRINTED CIRCUIT REV.	

M7672-0-1

THIS SCHEMATIC IS FURNISHED ONLY FOR TEST AND MAINTENANCE PURPOSES. THE CIRCUITS ARE PROPRIETARY IN NATURE AND SHOULD BE TREATED ACCORDINGLY. COPYRIGHT 1969 BY DIGITAL EQUIPMENT CORPORATION.

1-0-2/9LW SC Q
#387000 1000 1/16



QTY.	REF DESIGNATION	DESCRIPTION	DEC PART NO.	REV
2		HANDLS. FLTP CHTP - MAGENTA	9008337-06	35
4		BYELBY, HANDLS.	9006732	24
1	R1	I.C. DEC 8202	1910275	23
2	R3, 7	I.C. DEC 74123	1910496	22
1	R6	I.C. DEC 7486	1910011	21
2	R4, 8	I.C. DEC 7475	1909050	20
1	R2	I.C. DEC 7401	1865590	19
1	R5	I.C. DEC 7420	1865372	18
2	R7, 8	RES. 8.2K 1/4W 5%	1303275	17
3	R3, 4, 9	RES. 1.2K 1/4W 5%	1303320	16
2	R5, 6	RES. 10K 1/4W 5%	1300478	15
1	R2	RES. 330 1/4W 5%	1300385	14
1	R1	RES. 220 1/4W 5%	1300371	13
		GRIPLET	1210244-0	12
2	D1, 2	DIODE D664	1100114	11
2	C12, 15	CAP. 1UF 150V 10% FOIL	1000063	10
1	C1	CAP. 1200PF 100V 5% D.M.	1002619	9
7	C2 - C8	CAP. .01UF 100V 20% DISC	1001610	8
2	C9, 10	CAP. 270 100V 5% D.M.	1000022	7
1	C11	CAP. .02UF 100V -0.420% DISC	1000004	6
2	C13, 14	CAP. 100UF 20V 10% TANT	1004815	5
1		ETCHED CIRCUIT BOARD	5009577	4
		MODULE ECO HISTORY	B-MH-M7672-0-6	3
		ASSY/DRILLING LAYOUT	D-AM-M7672-0-5	2
		X-Y COORDINATE HOLE LOCATION	K-CO-M7672-0-4	1
		PARTS LIST		NS

SHEET 1 OF 2

REV	DATE	BY	CHKD
1	11/17/69	W. J.

DATE	BY	CHKD
11/17/69	W. J.

DEC	EIA	DEC	EIA

digital EQUIPMENT CORPORATION
 TITLE: TU 10 COMMAND BUFFERS TU13
 SIZE: D CODE: CS NUMBER: M7672-0-1 REV: A
 PRINTED CIRCUIT REV: B