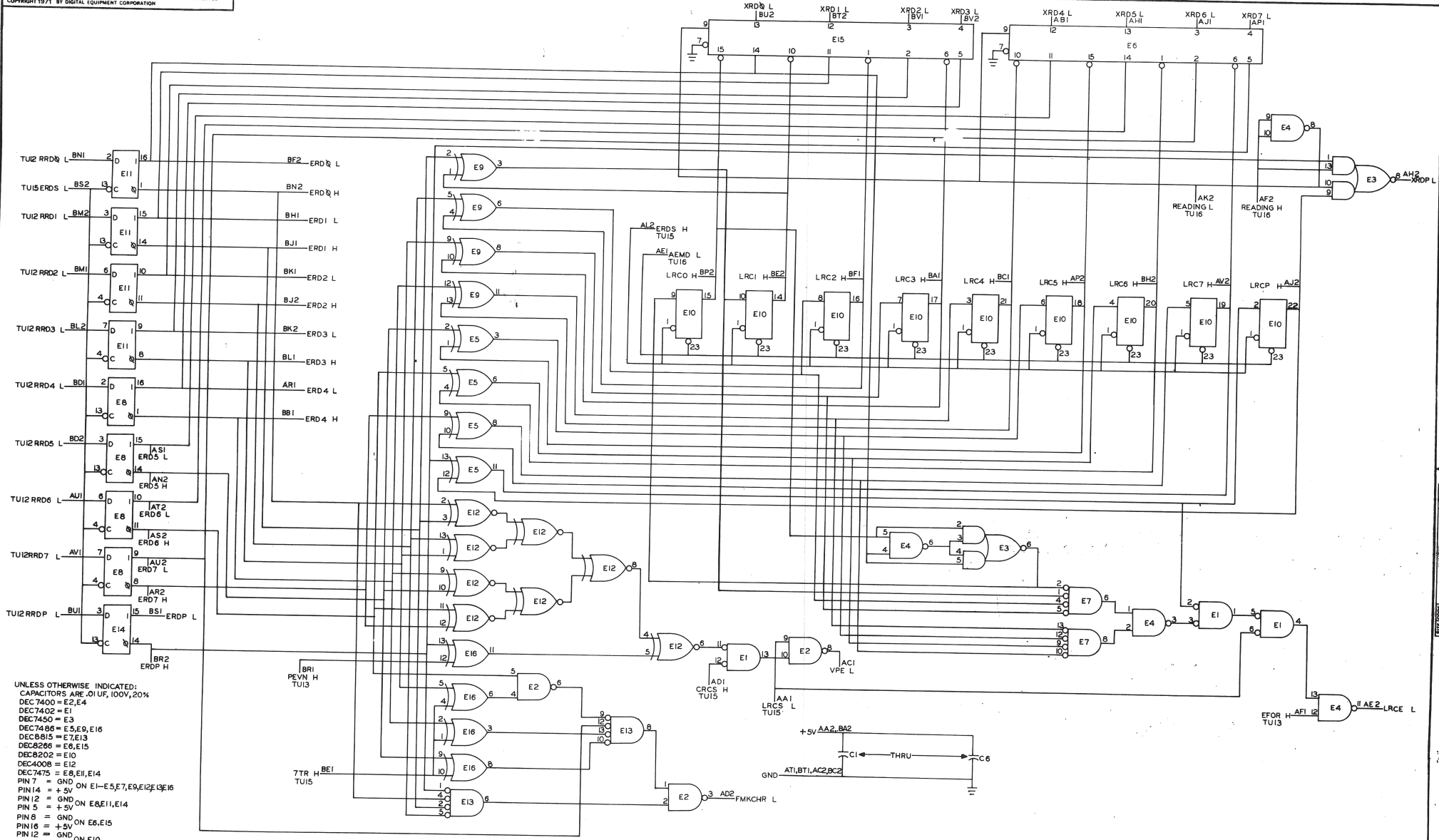


THIS SCHEMATIC IS FURNISHED ONLY FOR TEST AND MAINTENANCE PURPOSES. THE CIRCUITS ARE PROPRIETARY IN NATURE AND SHOULD BE TREATED ACCORDINGLY. COPYRIGHT 1971 BY DIGITAL EQUIPMENT CORPORATION

V 1-0-02,9/LW SD Q
A3# 30001216



UNLESS OTHERWISE INDICATED:
CAPACITORS ARE .01UF, 100V, 20%
DEC7400 = E2, E4
DEC7402 = E1
DEC7450 = E3
DEC7488 = E5, E9, E16
DEC8815 = E7, E13
DEC8266 = E8, E15
DEC8202 = E10
DEC4008 = E12
DEC7475 = E8, E11, E14
PIN 7 = GND ON E1-E5, E7, E9, E12, E13, E16
PIN 14 = +5V
PIN 12 = GND ON E8, E11, E14
PIN 5 = +5V
PIN 8 = GND ON E8, E15
PIN 16 = +5V
PIN 12 = GND ON E10
PIN 24 = +5V

REV. A
M7673-0-1
D 1 CS

SHEET 2 OF 2

DEC FORM NO. 100 114

REVISIONS
DATE
BY

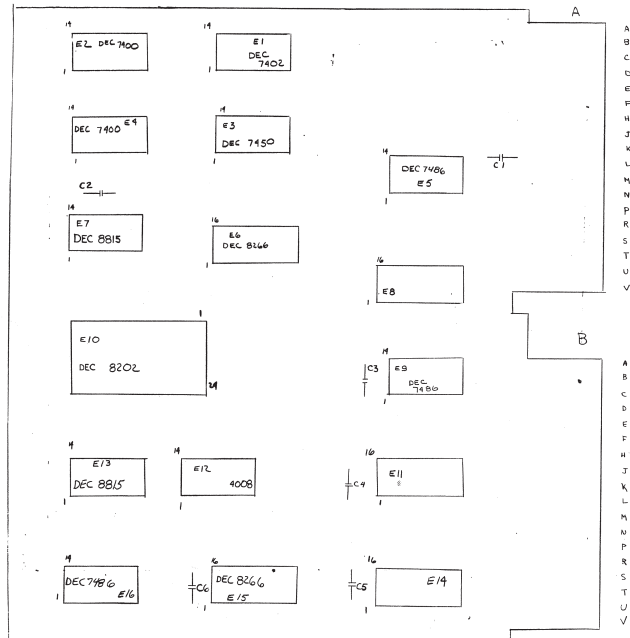
DATE
BY
DATE
BY

TRANSISTOR & DIODE CONVERSION CHART			
DEC	EAA	DEC	EIA

	TITLE		TU-10 DATA CHECKER TU17
	SIZE	CODE	
D	CS	M7673-0-1	REV. A
PRINTED CIRCUIT REV.			

THIS SCHEMATIC IS FURNISHED ONLY FOR TEST AND MAINTENANCE PURPOSES. THE CIRCUITS ARE PROPRIETARY IN NATURE AND SHOULD BE TREATED ACCORDINGLY. COPYRIGHT 1969 BY DIGITAL EQUIPMENT CORPORATION.

V 1-0-219LW SD Q
A3M 1387M 3003 128



QTY.	REF DESIGNATION	DESCRIPTION	PARTS LIST	NUMBER	REV.
2		HANDLE, FLIP CHIP - MAGNETA		9008337-06	A6
4		RYLEET #824-7		9006712	15
3	E5, 9, 16	I.C. DEC 7486		1910011	14
1	E10	I.C. DEC 8202		1910275	13
1	E12	I.C. DEC 4008P		1910270	12
2	E6, 15	I.C. DEC 8266		1909934	11
2	E7, 13	I.C. DEC 8815		1909713	10
3	E8, 11, 14	I.C. DEC 7475		1909050	9
1	E1	I.C. DEC 7402		1909004	8
1	E3	I.C. DEC 7450		1905580	7
2	E2, 4	I.C. DEC 7400		1905575	6
6	C1 - C6	CAP. .01UF 100V 20% DISC		1001610	5
1		ETCHED CIRCUIT BOARD		5009569	4
		MODULE BCO HISTORY		B-MH-N7673-0-6	3
		ASSY/DRILLING HOLE LAYOUT		D-AH-N7673-0-5	2
		X-Y COORDINATE HOLE LOCATION		K-CO-N7673-0-4	1
					1

REVISIONS CHK'D DATE	DATE	BY	DATE	BY	DATE	BY
	11/19

TRANSISTOR & DIODE CONVERSION CHART			
DEC	EIA	DEC	EIA

TITLE		TU 10 DATA CHECKER TU17	
NUMBER	REV.	NUMBER	REV.
M-7673-0-1	A	M-7673-0-1	A

DATE: 11/19
BY: ...
REV: ...

REV. 1000
M7673-0-1
D CS