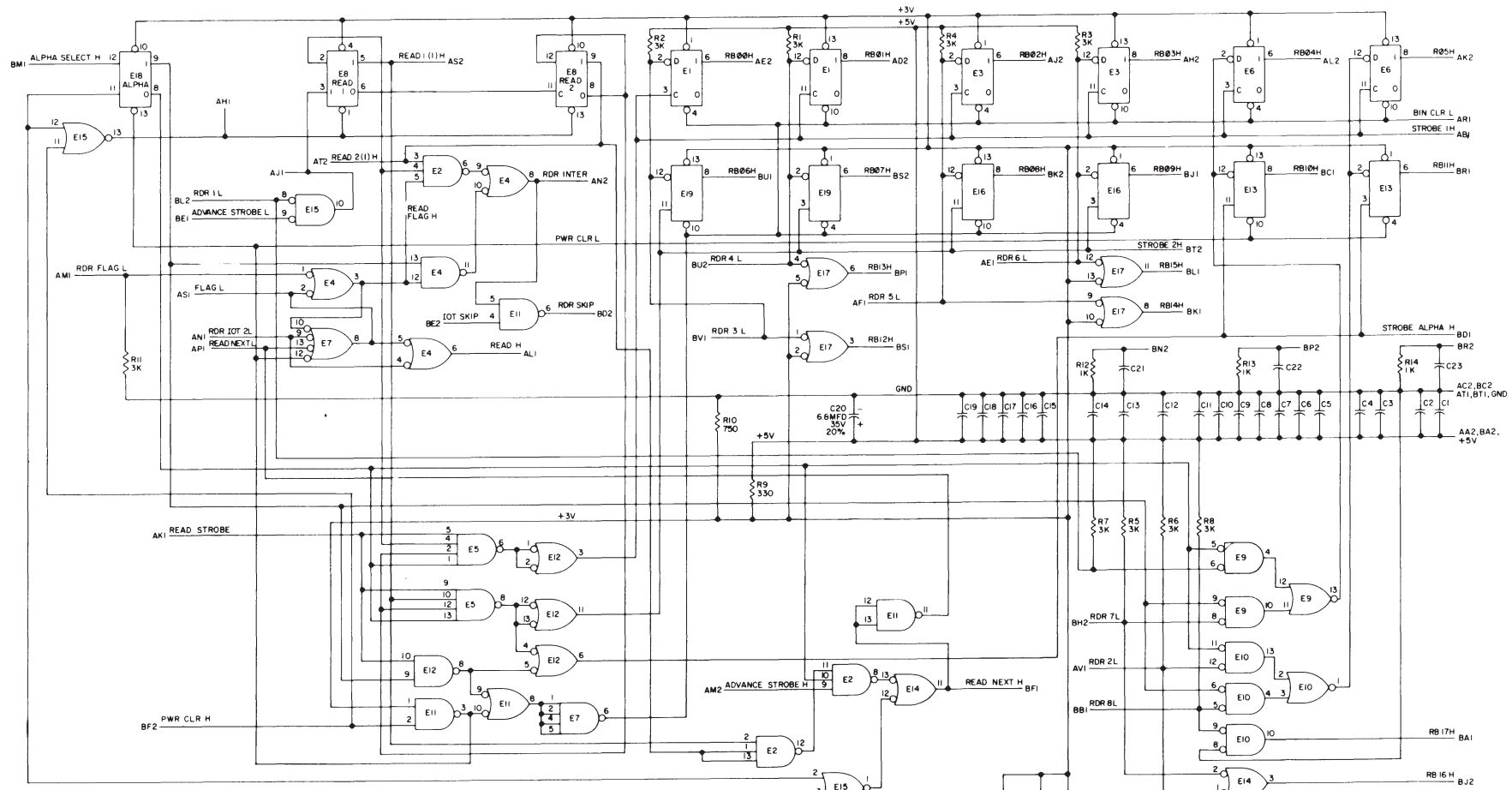


THIS SCHEMATIC IS FURNISHED ONLY FOR TEST AND MAINTENANCE PURPOSES THE CIRCUITS ARE PROPRIETARY IN NATURE AND SHOULD BE TREATED ACCORDINGLY COPYRIGHT © 1968 BY DIGITAL EQUIPMENT CORPORATION



UNLESS OTHERWISE INDICATED
 CAPACITORS ARE 0.1MFD, 100V, 20%
 RESISTORS ARE 1/4W, 5%
 PIN 7 ON EACH IC = GND
 PIN 14 ON EACH IC = +5V
 E1, E3, E6, E8, E13, E16, E18, E19 ARE DEC7474N
 E2 IS DEC7410M
 E4, E11, E14, E17 ARE DEC7400N
 E7 IS DEC74H40
 E5 IS DEC7440N
 E9, E10, E15, ARE DEC7402N
 E12 IS DEC74H00N

| REVISED | | DATE | | TRANSISTOR & DIODE CONVERSION CHART | | | | TITLE | |
|---------|----|------|----------|-------------------------------------|----|-----|----|---------------------|----------------------|
| NO. | BY | DATE | INITIALS | DEC | EM | DEC | EM | digit | READER REGISTER M776 |
| 1 | | | | | | | | digit | |
| | | | | | | | | EQIPMENT | NUMBER |
| | | | | | | | | CORPORATION | D CS M776-0-1 |
| | | | | | | | | PRINTED CIRCUIT REV | A |

M776-2