

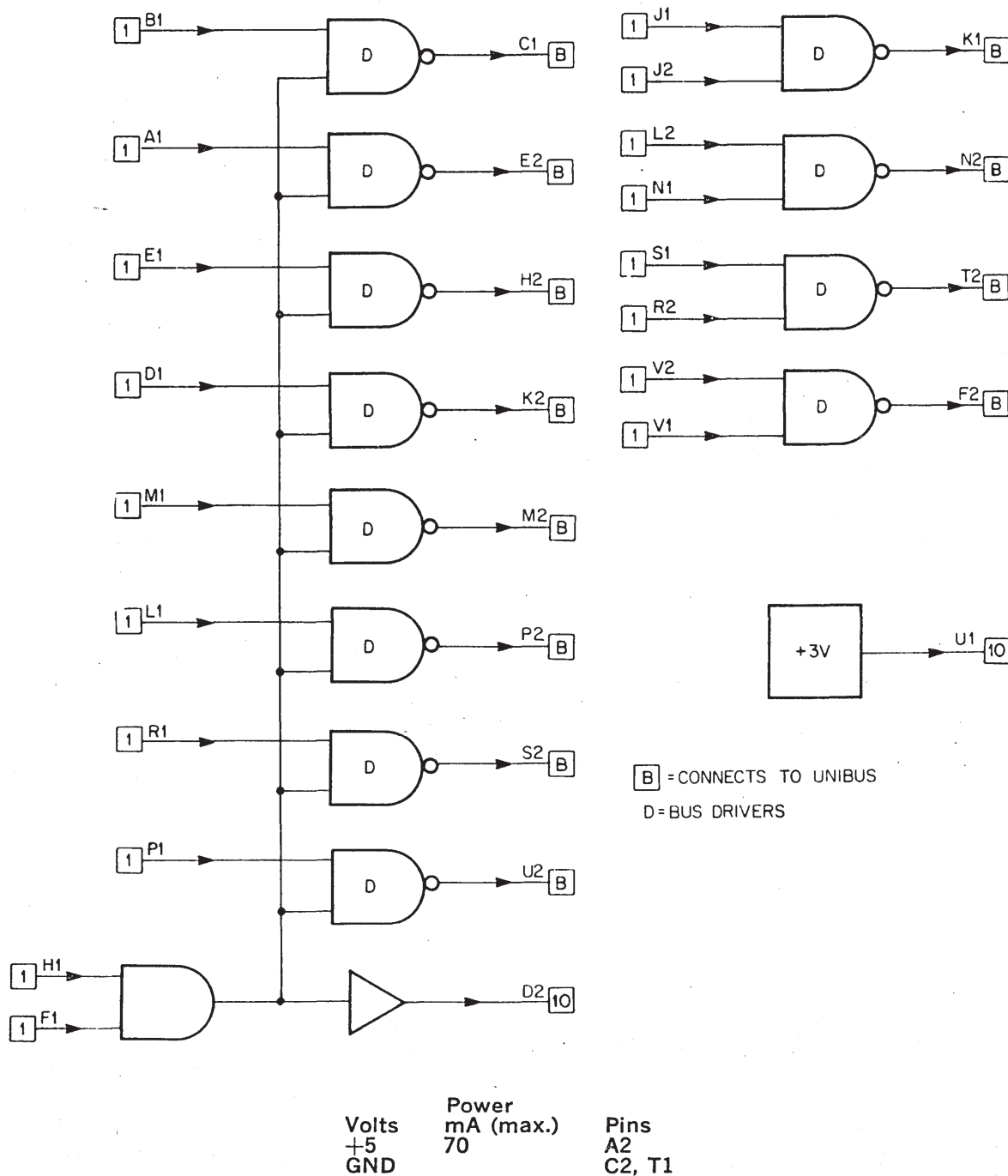
# M783 UNIBUS DRIVERS

PDP-11  
UNIBUS

M SERIES

Length: Extended  
Height: Single  
Width: Single

Price:  
\$30



The M783 consists of 12 drivers to be used as an input interface to the UNIBUS of the PDP-11. Pin U1 provides +3 volts as a source of logic HIGH for 10 TTL loads.