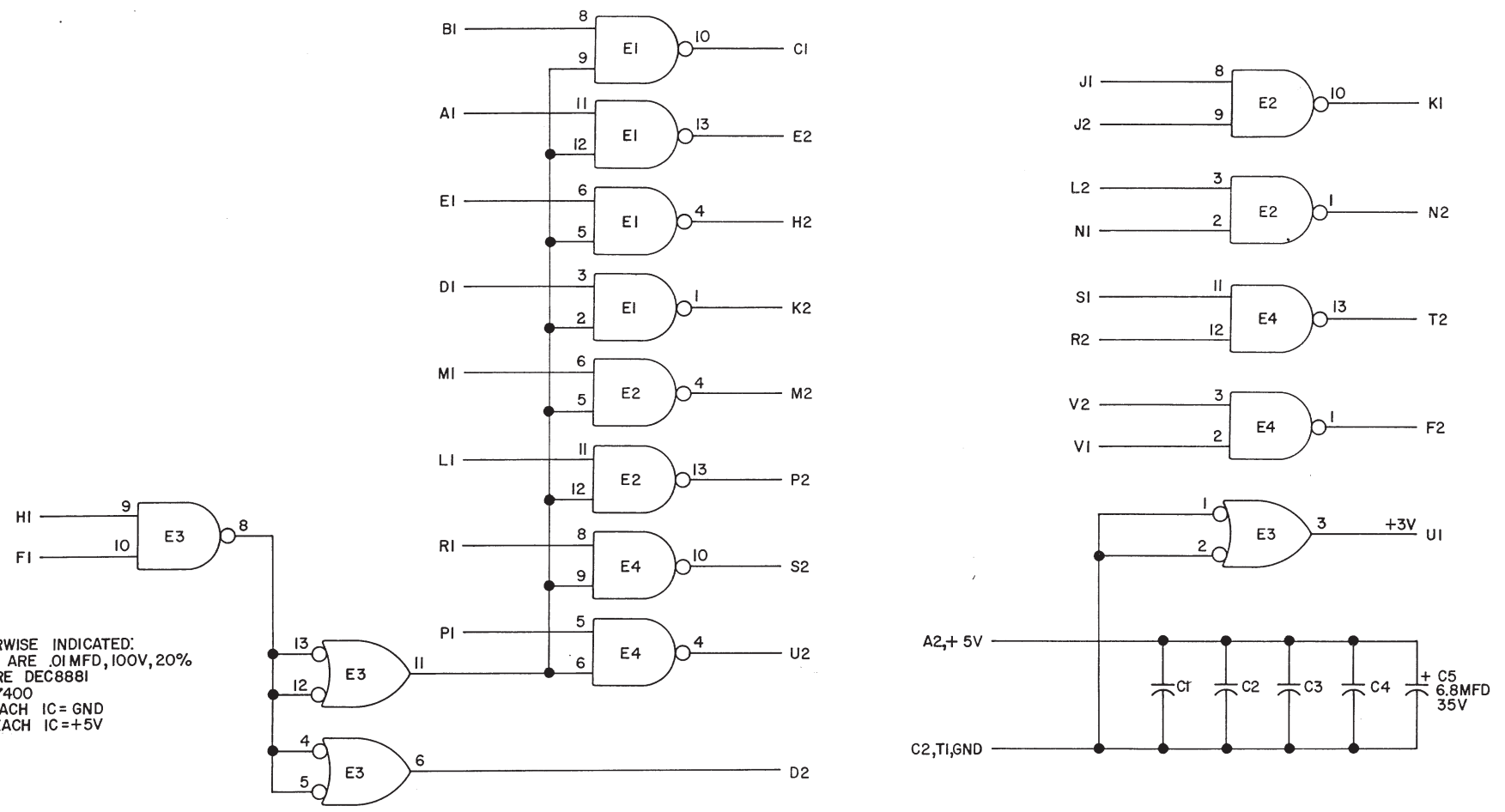


REV. NUMBER M783-0-1

SIZE CODE R 35

THIS SCHEMATIC IS FURNISHED ONLY FOR TEST AND MAINTENANCE PURPOSES. THE CIRCUITS ARE PROPRIETARY IN NATURE AND SHOULD BE TREATED ACCORDINGLY. COPYRIGHT 1969 BY DIGITAL EQUIPMENT CORPORATION



UNLESS OTHERWISE INDICATED:
CAPACITORS ARE .01MFD, 100V, 20%
E1, E2, E4 ARE DEC8881
E3 IS DEC7400
PIN 7 ON EACH IC = GND
PIN 14 ON EACH IC = +5V

REVISIONS CHK CHG NO. REV.	

DRN. <i>A. Patey</i>	DATE 11-21-69
CHK'D <i>...</i>	DATE ...
ENG <i>P.E. Johnson</i>	DATE 2/25/70
PROD.	DATE

TRANSISTOR & DIODE CONVERSION CHART			
DEC	EIA	DEC	EIA

digital
EQUIPMENT CORPORATION
MAYNARD, MASSACHUSETTS

TITLE UNIBUS DRIVERS M783			
SIZE B	CODE CS	NUMBER M783-0-1	REV.
PRINTED CIRCUIT REV.			A, B

DEC FORM NO. DRB 102

5 DIST. 324,434,435 PINK