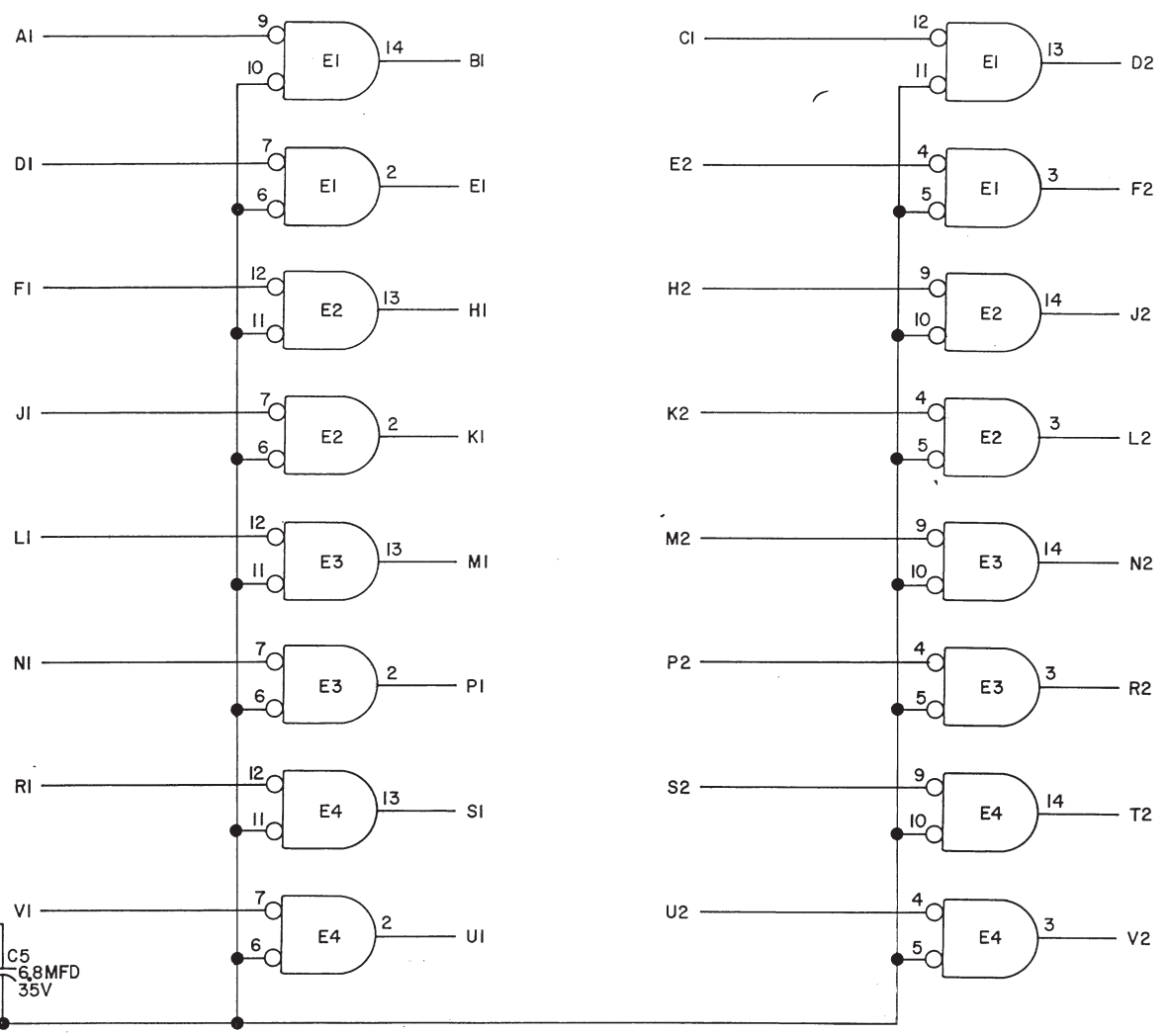
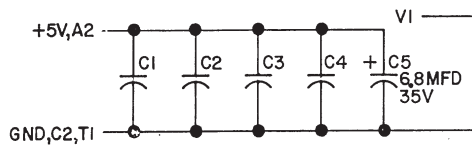


THIS SCHEMATIC IS FURNISHED ONLY FOR TEST AND MAINTENANCE PURPOSES. THE CIRCUITS ARE PROPRIETARY IN NATURE AND SHOULD BE TREATED ACCORDINGLY. COPYRIGHT 1969 BY DIGITAL EQUIPMENT CORPORATION



UNLESS OTHERWISE INDICATED:
 CAPACITORS ARE .01MFD, 100V, 20%
 IC'S ARE DEC380
 PIN 1 ON EACH IC=GND
 PIN 8 ON EACH IC=+5V



| | | | | | | | | | | | | | | | | |
|-----------|-------|---------|------|---|---|-------|----------|-------------------------------------|-----|-----|-----|----------------------|-----------------------|----------|------|--|
| REVISIONS | CHK | CHG NO. | REV. | A | B | DRN | DATE | TRANSISTOR & DIODE CONVERSION CHART | | | | digital | TITLE | | | |
| | 00001 | | A | | | | 11-18-69 | DEC | EIA | DEC | EIA | | UNIBUS RECEIVERS M784 | | | |
| | 00002 | | B | | | CHK'D | DATE | | | | | SIZE | CODE | NUMBER | REV. | |
| | | | | | | ENG | 1-7-70 | | | | | B | CS | M784-0-1 | B | |
| | | | | | | PROD. | DATE | | | | | PRINTED CIRCUIT REV. | | | | |