

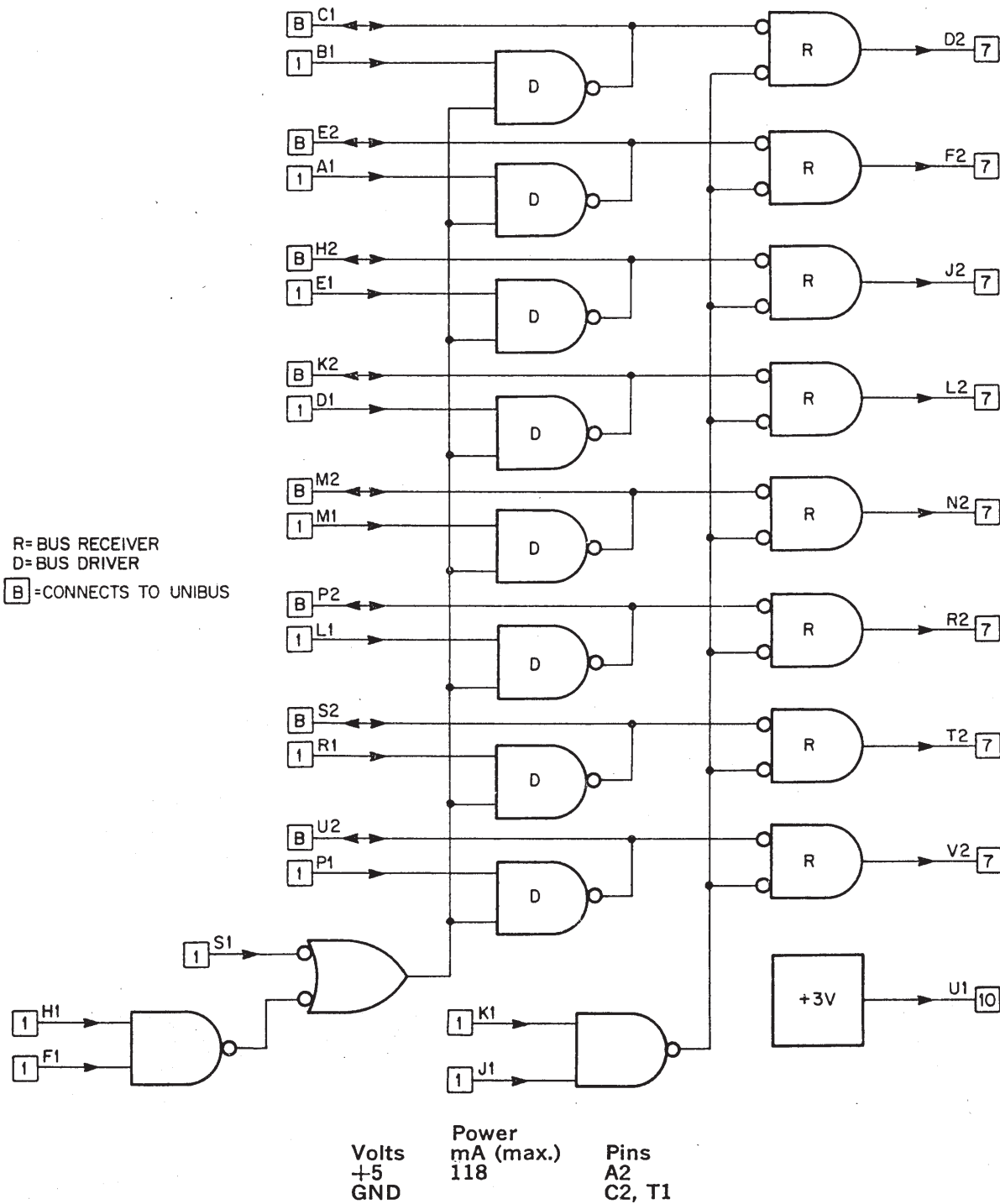
M785 UNIBUS TRANSCEIVER

PDP-11
UNIBUS

M SERIES

Length: Extended
Height: Single
Width: Single

Price:
\$35



The M785 consists of eight drivers and eight receivers for use as a device interface with the PDP-11 UNIBUS. Pin U1 provides +3 volts and has an output capability of 10 TTL loads. Driver gates have open collectors and are capable of sinking 50 mA with a collector voltage of less than 0.8 volts.