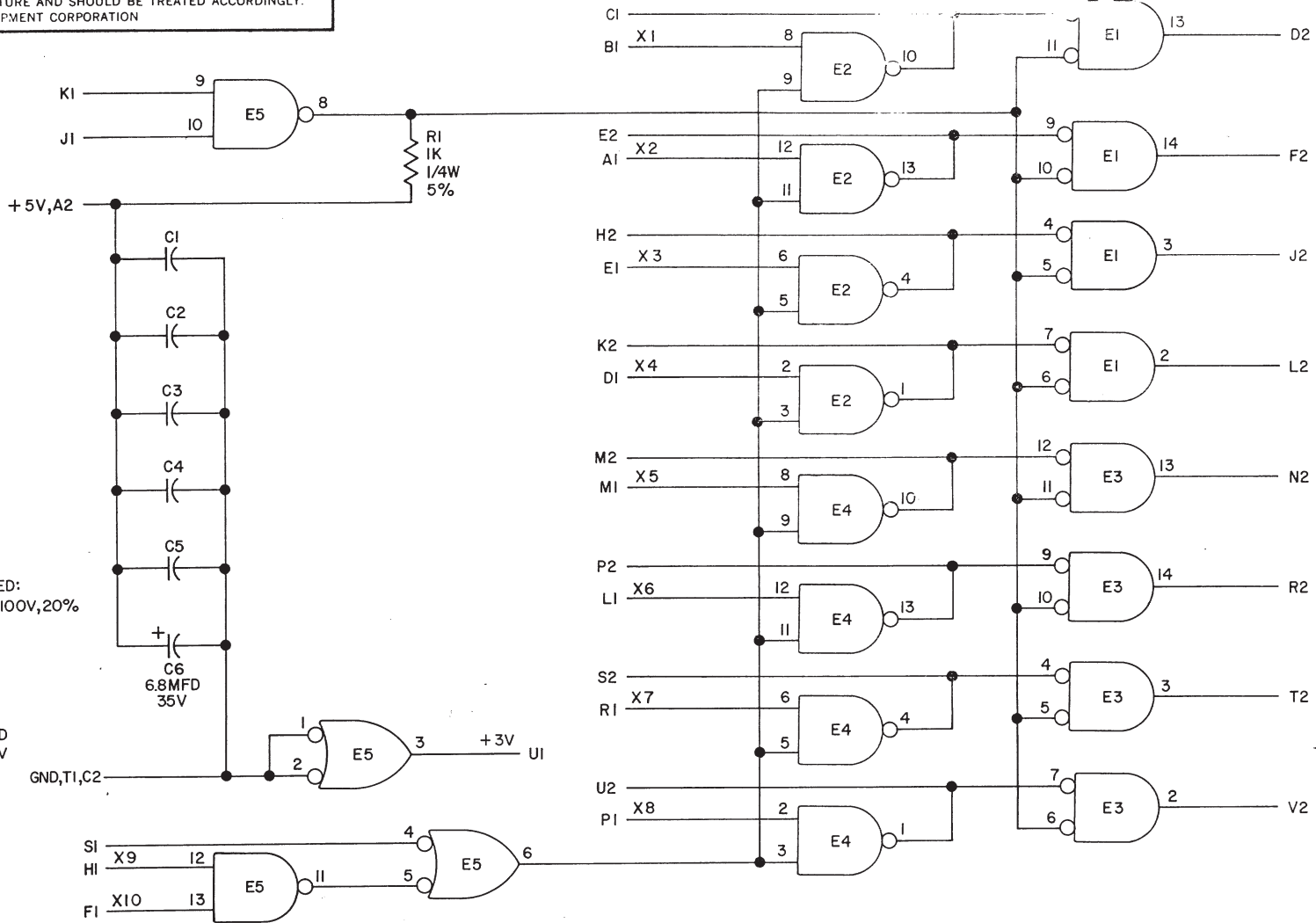


THIS SCHEMATIC IS FURNISHED ONLY FOR TEST AND MAINTENANCE PURPOSES. THE CIRCUITS ARE PROPRIETARY IN NATURE AND SHOULD BE TREATED ACCORDINGLY. COPYRIGHT 1969 BY DIGITAL EQUIPMENT CORPORATION

REV. 1-0-68
NUMBER M785-0-1



REVISIONS CHK. CHG. NO. REV. A	00001	DRN. <i>A. Pitey</i>	DATE 11-19-68	TRANSISTOR & DIODE CONVERSION CHART				digital EQUIPMENT CORPORATION MAYNARD, MASSACHUSETTS	TITLE UNIBUS TRANCEIVERS M785				
			CHK'D <i>[Signature]</i>	DATE 1-7-70	DEC	EIA	DEC		EIA	SIZE B	CODE CS	NUMBER M785-0-1	REV. A
			ENS. <i>[Signature]</i>	DATE 3/1/70									
			PROD.	DATE						PRINTED CIRCUIT REV.	A	B	

5 PINK DIST. 224,400,435-3