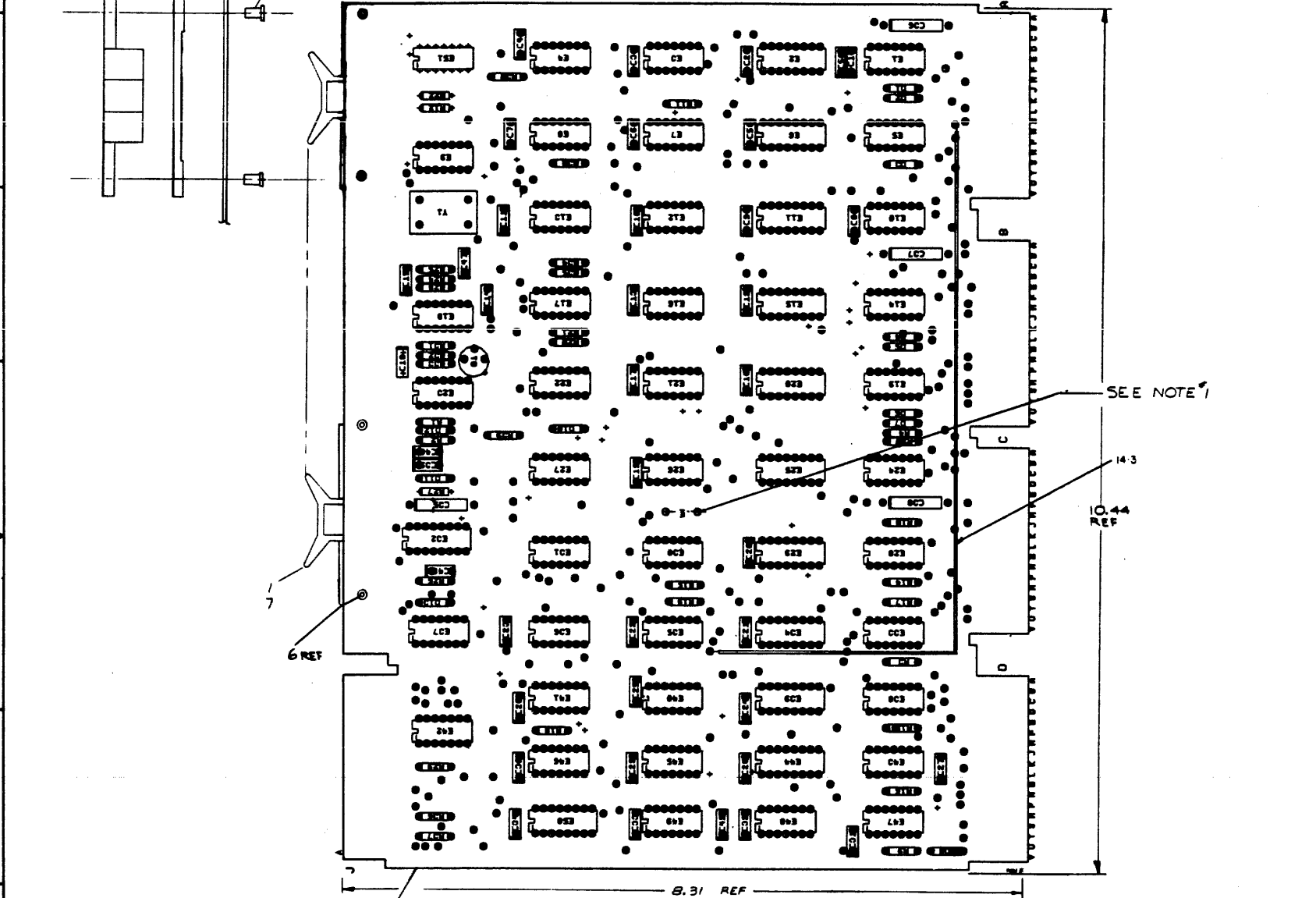
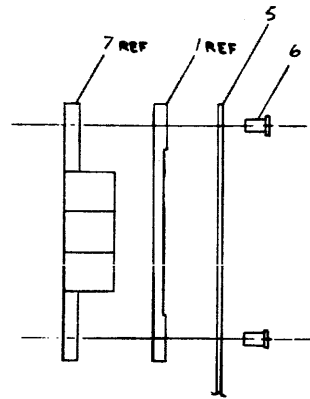


REF. ELEMENT COMPASS

NOTES:  
1. W1 (JUMPER) TO BE INSERTED BY CUSTOMER ONLY.



SEE NOTE 1

14-3  
10-44  
REF

8.31 REF



GND= AC2, AF1, AN1, AN2, AT1, BC1, BC2,  
BF1, BN2, BT1, BT2, CC1, CC2, CF1,  
CF2, CN1, CT1, DC1, DP1, DN1, DT1, DT2.

|            |     |     |    |  |  |  |  |  |  |
|------------|-----|-----|----|--|--|--|--|--|--|
| DEC 74194  | 8   | 16  |    |  |  |  |  |  |  |
| DEC 8251   | 8   | 16  |    |  |  |  |  |  |  |
| DEC 5314   | 1   | 8   |    |  |  |  |  |  |  |
| DEC 5380   | 1   | 8   |    |  |  |  |  |  |  |
| DEC 5384   | 1   | 8   |    |  |  |  |  |  |  |
| C TYPE     | 800 | 800 | W1 |  |  |  |  |  |  |
| SEE NOTE 1 |     |     |    |  |  |  |  |  |  |

| REF | REF DESIGNATION  | DESCRIPTION                 | REF NO.              |
|-----|--|-----------------------------|----------------------|
| 1   | E47E91   | WIRE, 30 AWG                | 9105740-33 47        |
| 2   | E47E91   | I.C. DEC 74500              | 1910532-08 48        |
| 1   | E57  | I.C. DEC 7384               | 190393 43            |
| 1   | W1   | JUMPER                      | 1910532-00 49        |
| 1   | E18  | I.C. DEC 74174              | 1910545 50           |
| 1   | E18  | I.C. DEC 74504              | 1910536 51           |
| 2   | K38, R37   | RES 1K, 1/4W, 5%            | 1300367 49           |
| 2   | K38, R37   | SPLIT LUG                   | 9088715 47           |
| 1   | E13  | I.C. DEC 8460               | 1910549 44           |
| 1   | E4   | I.C. DEC 584                | 1910549 43           |
| 1   | E50  | I.C. DEC 72518              | 1909544 42           |
| 1   | E17  | I.C. DEC 8801               | 1909705 47           |
| 1   | E8   | I.C. DEC 74511              | 1910537 49           |
| 2   | E36, R1  | I.C. DEC 87401              | 1909973 50           |
| 10  | E28, 11A, 20, 25, 29, 34, 38, 44   | I.C. DEC 74194              | 1910528 50           |
| 1   | E30  | I.C. DEC 74128              | 1910436 47           |
| 12  | E13, 30, 31, 32, 33, 34, 35, 36, 37, 38, 39, 40, 41, 42, 43, 44, 45, 46, 47, 48, 49, 50, 51, 52, 53, 54, 55, 56, 57, 58, 59, 60, 61, 62, 63, 64, 65, 66, 67, 68, 69, 70, 71, 72, 73, 74, 75, 76, 77, 78, 79, 80, 81, 82, 83, 84, 85, 86, 87, 88, 89, 90, 91, 92, 93, 94, 95, 96, 97, 98, 99, 100   | I.C. DEC 74840              | 1910551 55           |
| 2   | E28, R6  | I.C. DEC 74830              | 1910557 56           |
| 1   | E44  | I.C. DEC 74830              | 1910557 56           |
| 2   | E57, R55   | I.C. DEC 7417               | 1909929 50           |
| 1   | E48  | I.C. DEC 74810              | 1910536 47           |
| 1   | E48  | I.C. DEC 7404               | 1910536 47           |
| 1   | E22  | I.C. DEC 7404               | 1910536 47           |
| 1   | E23  | I.C. DEC 7400               | 1910536 47           |
| 1   | D1   | TRANSISTOR DEC 5804B        | 1303100 25           |
| 1   | R27  | RES 47K 1/4W 5%             | 1302177 24           |
| 1   | REG  | RES 10K 3/4W 5%             | 1302479 23           |
| 1   | R1   | RES 5.9K 1/4W 5%            | 1302479 23           |
| 15  | R21, 11A, 8, 22, 23, 24, 25, 26, 27, 28, 29, 30, 31, 32, 33, 34, 35, 36, 37, 38, 39, 40, 41, 42, 43, 44, 45, 46, 47, 48, 49, 50, 51, 52, 53, 54, 55, 56, 57, 58, 59, 60, 61, 62, 63, 64, 65, 66, 67, 68, 69, 70, 71, 72, 73, 74, 75, 76, 77, 78, 79, 80, 81, 82, 83, 84, 85, 86, 87, 88, 89, 90, 91, 92, 93, 94, 95, 96, 97, 98, 99, 100   | RES 470 1/4W 5%             | 130036 20            |
| 13  | R34, 10A, 4, 12, 13, 14, 15, 16, 17, 18, 19, 20, 21, 22, 23, 24, 25, 26, 27, 28, 29, 30, 31, 32, 33, 34, 35, 36, 37, 38, 39, 40, 41, 42, 43, 44, 45, 46, 47, 48, 49, 50, 51, 52, 53, 54, 55, 56, 57, 58, 59, 60, 61, 62, 63, 64, 65, 66, 67, 68, 69, 70, 71, 72, 73, 74, 75, 76, 77, 78, 79, 80, 81, 82, 83, 84, 85, 86, 87, 88, 89, 90, 91, 92, 93, 94, 95, 96, 97, 98, 99, 100 | RES 150 1/4W 5%             | 1302250 21           |
| 2   | R3, R33  | RES 27 1/4W 5%              | 1301524 19           |
| 12  | D1-D8, D0-D18  | DIODE D664                  | 1910114 48           |
| 1   | C38  | CAP 50uF 10V 10% STANT      | 1000076 17           |
| 1   | C39-C40  | CAP 6.8uF 35V 10% S. STANT  | 1000508 15           |
| 8   | C39-C40  | CAP .047uF 16V 20% 50V      | 1000478 13           |
| 37  | C1-C8, C9, C49, C58  | CAP .01uF 100V 50% DISC     | 1001610 17           |
| 1   | C48  | CAP 1000PF 100V 5% MICA     | 1000042 10           |
| 8   |  | HANDLE FLIP-CHIP MAGENTA    | 9008537-04 7         |
| 6   |  | EYELET 854-11 SYMPSON       | 9006780 6            |
| 17  |  | ETCHED CIRCUIT BOARD        | 5009707 5            |
| REF |  | MODULE ECO HISTORY          | 844-4839-6-4 4       |
| REF |  | ASSY/DRAWING HOLE LOCUT     | D-6, M-8, E-2, S-3 3 |
| REF |  | XY COORDINATE HOLE LOCATION | K-CO-M-838-6-4 2     |
| REF |  | SPACER CABLE CLAMP          | 1808704 1            |

| REF | REF DESIGNATION | DESCRIPTION | REF NO. |
|-----|-----------------|-------------|---------|
| 1   | DEC 30096       | 2N3646      |         |
| 1   | D664            | 1N3606      |         |

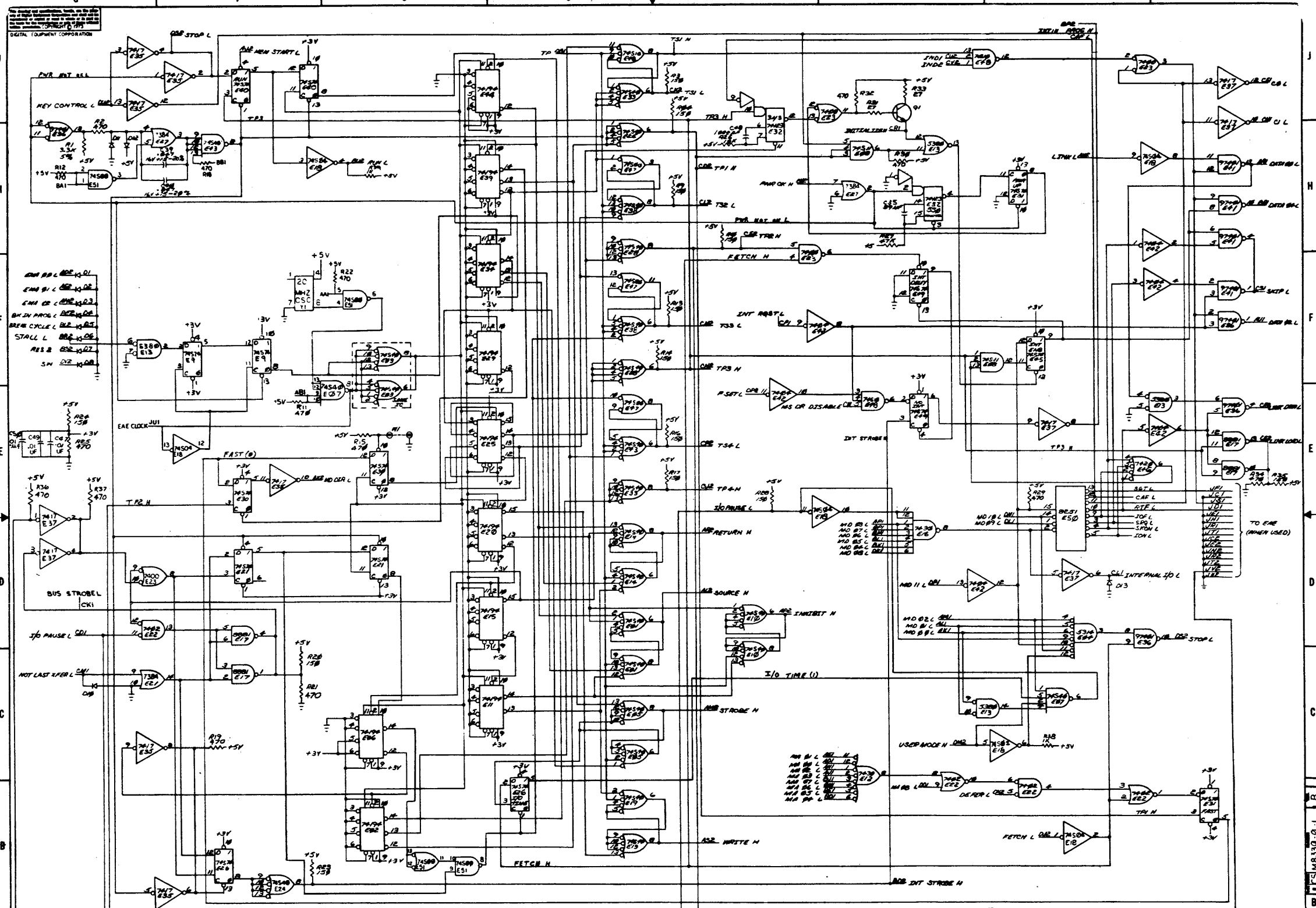
ETCH BOARD REV: F

DEC NO. EIA NO. DEC NO. EIA NO.

EQUIPMENT CORPORATION

TIMING GENERATOR

ECS M8330-0-1 R



DIGITAL EQUIPMENT CORPORATION

- ENH B1 L
- ENH B1 C
- ENH B1 D
- ENH B1 E
- ENH B1 F
- ENH B1 G
- ENH B1 H
- ENH B1 I
- ENH B1 J
- ENH B1 K
- ENH B1 L
- ENH B1 M
- ENH B1 N
- ENH B1 O
- ENH B1 P
- ENH B1 Q
- ENH B1 R
- ENH B1 S
- ENH B1 T
- ENH B1 U
- ENH B1 V
- ENH B1 W
- ENH B1 X
- ENH B1 Y
- ENH B1 Z

- ENH B2 L
- ENH B2 C
- ENH B2 D
- ENH B2 E
- ENH B2 F
- ENH B2 G
- ENH B2 H
- ENH B2 I
- ENH B2 J
- ENH B2 K
- ENH B2 L
- ENH B2 M
- ENH B2 N
- ENH B2 O
- ENH B2 P
- ENH B2 Q
- ENH B2 R
- ENH B2 S
- ENH B2 T
- ENH B2 U
- ENH B2 V
- ENH B2 W
- ENH B2 X
- ENH B2 Y
- ENH B2 Z

- ENH B3 L
- ENH B3 C
- ENH B3 D
- ENH B3 E
- ENH B3 F
- ENH B3 G
- ENH B3 H
- ENH B3 I
- ENH B3 J
- ENH B3 K
- ENH B3 L
- ENH B3 M
- ENH B3 N
- ENH B3 O
- ENH B3 P
- ENH B3 Q
- ENH B3 R
- ENH B3 S
- ENH B3 T
- ENH B3 U
- ENH B3 V
- ENH B3 W
- ENH B3 X
- ENH B3 Y
- ENH B3 Z

- ENH B4 L
- ENH B4 C
- ENH B4 D
- ENH B4 E
- ENH B4 F
- ENH B4 G
- ENH B4 H
- ENH B4 I
- ENH B4 J
- ENH B4 K
- ENH B4 L
- ENH B4 M
- ENH B4 N
- ENH B4 O
- ENH B4 P
- ENH B4 Q
- ENH B4 R
- ENH B4 S
- ENH B4 T
- ENH B4 U
- ENH B4 V
- ENH B4 W
- ENH B4 X
- ENH B4 Y
- ENH B4 Z

- ENH B5 L
- ENH B5 C
- ENH B5 D
- ENH B5 E
- ENH B5 F
- ENH B5 G
- ENH B5 H
- ENH B5 I
- ENH B5 J
- ENH B5 K
- ENH B5 L
- ENH B5 M
- ENH B5 N
- ENH B5 O
- ENH B5 P
- ENH B5 Q
- ENH B5 R
- ENH B5 S
- ENH B5 T
- ENH B5 U
- ENH B5 V
- ENH B5 W
- ENH B5 X
- ENH B5 Y
- ENH B5 Z

- ENH B6 L
- ENH B6 C
- ENH B6 D
- ENH B6 E
- ENH B6 F
- ENH B6 G
- ENH B6 H
- ENH B6 I
- ENH B6 J
- ENH B6 K
- ENH B6 L
- ENH B6 M
- ENH B6 N
- ENH B6 O
- ENH B6 P
- ENH B6 Q
- ENH B6 R
- ENH B6 S
- ENH B6 T
- ENH B6 U
- ENH B6 V
- ENH B6 W
- ENH B6 X
- ENH B6 Y
- ENH B6 Z

- ENH B7 L
- ENH B7 C
- ENH B7 D
- ENH B7 E
- ENH B7 F
- ENH B7 G
- ENH B7 H
- ENH B7 I
- ENH B7 J
- ENH B7 K
- ENH B7 L
- ENH B7 M
- ENH B7 N
- ENH B7 O
- ENH B7 P
- ENH B7 Q
- ENH B7 R
- ENH B7 S
- ENH B7 T
- ENH B7 U
- ENH B7 V
- ENH B7 W
- ENH B7 X
- ENH B7 Y
- ENH B7 Z

- ENH B8 L
- ENH B8 C
- ENH B8 D
- ENH B8 E
- ENH B8 F
- ENH B8 G
- ENH B8 H
- ENH B8 I
- ENH B8 J
- ENH B8 K
- ENH B8 L
- ENH B8 M
- ENH B8 N
- ENH B8 O
- ENH B8 P
- ENH B8 Q
- ENH B8 R
- ENH B8 S
- ENH B8 T
- ENH B8 U
- ENH B8 V
- ENH B8 W
- ENH B8 X
- ENH B8 Y
- ENH B8 Z

- ENH B9 L
- ENH B9 C
- ENH B9 D
- ENH B9 E
- ENH B9 F
- ENH B9 G
- ENH B9 H
- ENH B9 I
- ENH B9 J
- ENH B9 K
- ENH B9 L
- ENH B9 M
- ENH B9 N
- ENH B9 O
- ENH B9 P
- ENH B9 Q
- ENH B9 R
- ENH B9 S
- ENH B9 T
- ENH B9 U
- ENH B9 V
- ENH B9 W
- ENH B9 X
- ENH B9 Y
- ENH B9 Z

- ENH B10 L
- ENH B10 C
- ENH B10 D
- ENH B10 E
- ENH B10 F
- ENH B10 G
- ENH B10 H
- ENH B10 I
- ENH B10 J
- ENH B10 K
- ENH B10 L
- ENH B10 M
- ENH B10 N
- ENH B10 O
- ENH B10 P
- ENH B10 Q
- ENH B10 R
- ENH B10 S
- ENH B10 T
- ENH B10 U
- ENH B10 V
- ENH B10 W
- ENH B10 X
- ENH B10 Y
- ENH B10 Z

- ENH B11 L
- ENH B11 C
- ENH B11 D
- ENH B11 E
- ENH B11 F
- ENH B11 G
- ENH B11 H
- ENH B11 I
- ENH B11 J
- ENH B11 K
- ENH B11 L
- ENH B11 M
- ENH B11 N
- ENH B11 O
- ENH B11 P
- ENH B11 Q
- ENH B11 R
- ENH B11 S
- ENH B11 T
- ENH B11 U
- ENH B11 V
- ENH B11 W
- ENH B11 X
- ENH B11 Y
- ENH B11 Z

- ENH B12 L
- ENH B12 C
- ENH B12 D
- ENH B12 E
- ENH B12 F
- ENH B12 G
- ENH B12 H
- ENH B12 I
- ENH B12 J
- ENH B12 K
- ENH B12 L
- ENH B12 M
- ENH B12 N
- ENH B12 O
- ENH B12 P
- ENH B12 Q
- ENH B12 R
- ENH B12 S
- ENH B12 T
- ENH B12 U
- ENH B12 V
- ENH B12 W
- ENH B12 X
- ENH B12 Y
- ENH B12 Z

- ENH B13 L
- ENH B13 C
- ENH B13 D
- ENH B13 E
- ENH B13 F
- ENH B13 G
- ENH B13 H
- ENH B13 I
- ENH B13 J
- ENH B13 K
- ENH B13 L
- ENH B13 M
- ENH B13 N
- ENH B13 O
- ENH B13 P
- ENH B13 Q
- ENH B13 R
- ENH B13 S
- ENH B13 T
- ENH B13 U
- ENH B13 V
- ENH B13 W
- ENH B13 X
- ENH B13 Y
- ENH B13 Z

| ITEM NO. | DESCRIPTION | QTY. | REVISION |
|----------|-------------|------|----------|
| MR8-F    |             |      |          |
| 1        | RESISTOR    | 100  | 1        |
| 2        | CAPACITOR   | 50   | 1        |
| 3        | IC          | 10   | 1        |
| 4        | IC          | 10   | 1        |
| 5        | IC          | 10   | 1        |
| 6        | IC          | 10   | 1        |
| 7        | IC          | 10   | 1        |
| 8        | IC          | 10   | 1        |
| 9        | IC          | 10   | 1        |
| 10       | IC          | 10   | 1        |
| 11       | IC          | 10   | 1        |
| 12       | IC          | 10   | 1        |
| 13       | IC          | 10   | 1        |
| 14       | IC          | 10   | 1        |
| 15       | IC          | 10   | 1        |
| 16       | IC          | 10   | 1        |
| 17       | IC          | 10   | 1        |
| 18       | IC          | 10   | 1        |
| 19       | IC          | 10   | 1        |
| 20       | IC          | 10   | 1        |
| 21       | IC          | 10   | 1        |
| 22       | IC          | 10   | 1        |
| 23       | IC          | 10   | 1        |
| 24       | IC          | 10   | 1        |
| 25       | IC          | 10   | 1        |
| 26       | IC          | 10   | 1        |
| 27       | IC          | 10   | 1        |
| 28       | IC          | 10   | 1        |
| 29       | IC          | 10   | 1        |
| 30       | IC          | 10   | 1        |
| 31       | IC          | 10   | 1        |
| 32       | IC          | 10   | 1        |
| 33       | IC          | 10   | 1        |
| 34       | IC          | 10   | 1        |
| 35       | IC          | 10   | 1        |
| 36       | IC          | 10   | 1        |
| 37       | IC          | 10   | 1        |
| 38       | IC          | 10   | 1        |
| 39       | IC          | 10   | 1        |
| 40       | IC          | 10   | 1        |
| 41       | IC          | 10   | 1        |
| 42       | IC          | 10   | 1        |
| 43       | IC          | 10   | 1        |
| 44       | IC          | 10   | 1        |
| 45       | IC          | 10   | 1        |
| 46       | IC          | 10   | 1        |
| 47       | IC          | 10   | 1        |
| 48       | IC          | 10   | 1        |
| 49       | IC          | 10   | 1        |
| 50       | IC          | 10   | 1        |
| 51       | IC          | 10   | 1        |
| 52       | IC          | 10   | 1        |
| 53       | IC          | 10   | 1        |
| 54       | IC          | 10   | 1        |
| 55       | IC          | 10   | 1        |
| 56       | IC          | 10   | 1        |
| 57       | IC          | 10   | 1        |
| 58       | IC          | 10   | 1        |
| 59       | IC          | 10   | 1        |
| 60       | IC          | 10   | 1        |
| 61       | IC          | 10   | 1        |
| 62       | IC          | 10   | 1        |
| 63       | IC          | 10   | 1        |
| 64       | IC          | 10   | 1        |
| 65       | IC          | 10   | 1        |
| 66       | IC          | 10   | 1        |
| 67       | IC          | 10   | 1        |
| 68       | IC          | 10   | 1        |
| 69       | IC          | 10   | 1        |
| 70       | IC          | 10   | 1        |
| 71       | IC          | 10   | 1        |
| 72       | IC          | 10   | 1        |
| 73       | IC          | 10   | 1        |
| 74       | IC          | 10   | 1        |
| 75       | IC          | 10   | 1        |
| 76       | IC          | 10   | 1        |
| 77       | IC          | 10   | 1        |
| 78       | IC          | 10   | 1        |
| 79       | IC          | 10   | 1        |
| 80       | IC          | 10   | 1        |
| 81       | IC          | 10   | 1        |
| 82       | IC          | 10   | 1        |
| 83       | IC          | 10   | 1        |
| 84       | IC          | 10   | 1        |
| 85       | IC          | 10   | 1        |
| 86       | IC          | 10   | 1        |
| 87       | IC          | 10   | 1        |
| 88       | IC          | 10   | 1        |
| 89       | IC          | 10   | 1        |
| 90       | IC          | 10   | 1        |
| 91       | IC          | 10   | 1        |
| 92       | IC          | 10   | 1        |
| 93       | IC          | 10   | 1        |
| 94       | IC          | 10   | 1        |
| 95       | IC          | 10   | 1        |
| 96       | IC          | 10   | 1        |
| 97       | IC          | 10   | 1        |
| 98       | IC          | 10   | 1        |
| 99       | IC          | 10   | 1        |
| 100      | IC          | 10   | 1        |

**TIMING GENERATOR**

ECS MB330-01