

MASTER DRAWING LIST

MAINTENANCE MANUALS		UNIT VARIATIONS										
NO.	TITLE	KA8-E										
	KA8-E POSITIVE I/O BUS INTERFACE	X										

USED ON OPTIONS									
PDP8/E	PDP8/M								

digital EQUIPMENT CORPORATION
MAYNARD, MASSACHUSETTS

TITLE POSITIVE I/O BUS INTERFACE

DRN.	K. GULLICK	DATE	18-71
CHK'D	K. GULLICK	DATE	18-71
ENG	L. KLOTZ	DATE	3-5-71
PROJ. ENG	R. VOGLERSAMG	DATE	3-5-71
PROD	L. SAYLOR	DATE	3-5-71

FIRST USED ON PDP8/E

SCALE NONE

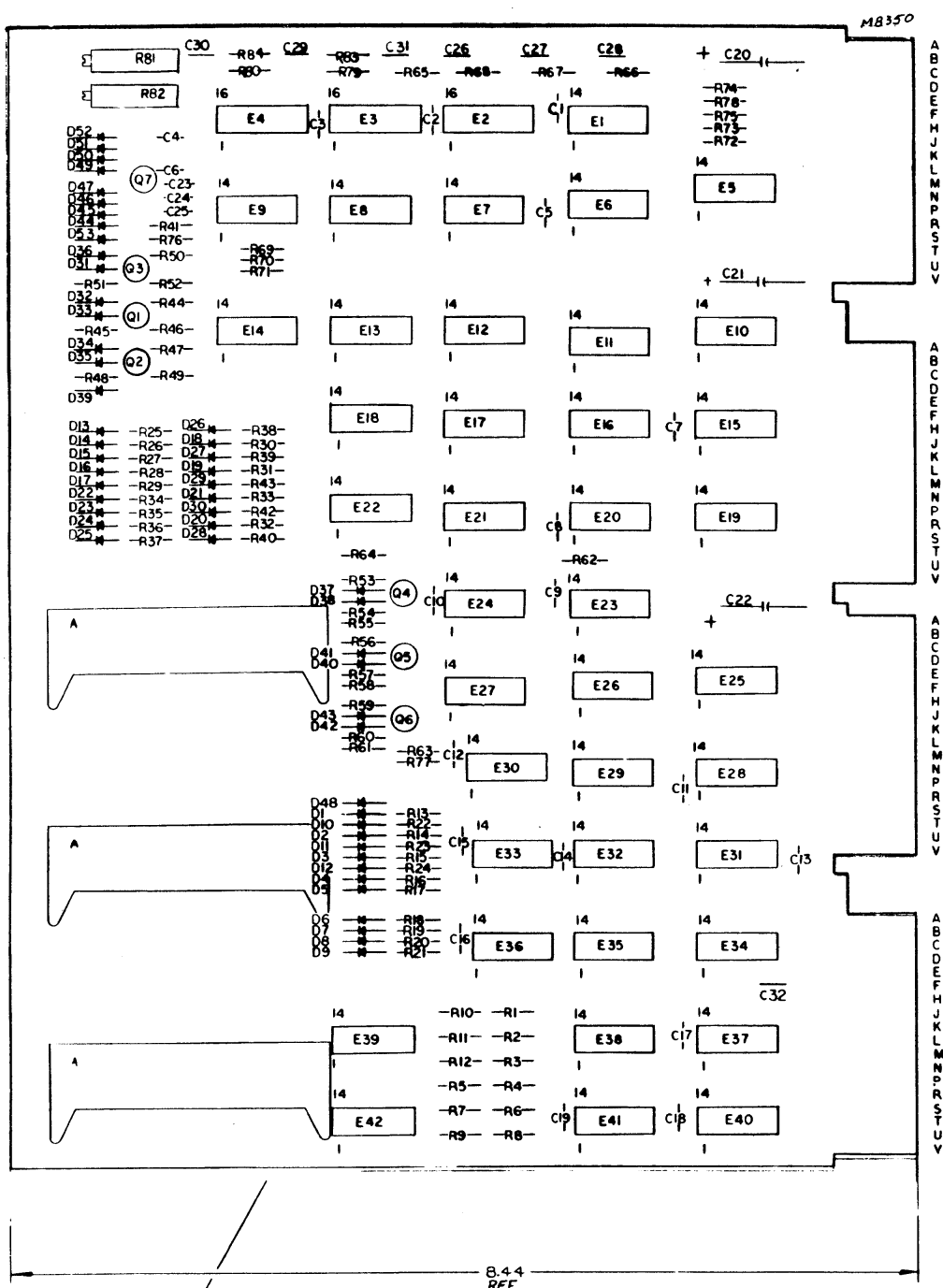
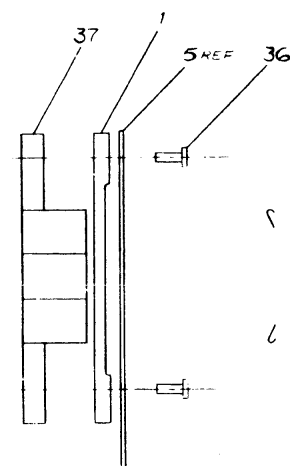
SHEET 1 OF 2

SIZE	CODE	NUMBER	REV.
A	ML	KA8-E	E

REV.	CHG. NO.	DATE	APPD.	L.K.	A.V.	MISC-86	KABE-2	KABE-3	1/72	8E-00055	3/23/71	00001	F O C B A	U D C U	1/72	KABE-3

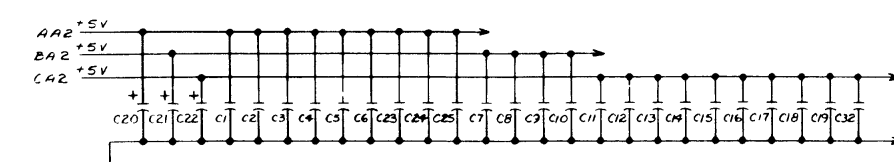
TITLE	SHEET	2	OF	2	SIZE	CODE	NUMBER	REV.
POSITIVE I/O BUS INTERFACE	A	ML	KA8-E	E	A	ML	KA8-E	E

NOTES:
 1. UNLESS OTHERWISE NOTED,
 CAPACITOR 514F 100V 21%
 RESISTOR 220 1/4W 5%



10.44 REF

8.44 REF



QTY	REF DESIGNATION	DESCRIPTION	PART NO.	QTY
2	R84, R83	RES 470K 1/4W 5%	1302398	40
1	C29	CAP 33 PF, 100V 5% D.M	1000009	31
4		GRIPLET	1210244-C	1
4		HANDLE FLIP CHIP - MAGENTA	9008337-C6	37
8		EYELET GS 4-11 STAMPSCA	9006750	1
3	E2, E3, E4	IC DEC 74123	1910426	35
2	E23, E42	IC DEC 2501	1910010	34
5	E10, E16, E16, E20, E30	IC DEC 6380	1909971	33
4	E13, E18, E22, E27	IC DEC 7417	1909929	32
5	E17, E21, E33, E36	IC DEC 7416	1909928	31
6	E125, E28, E31, E34, E40	IC DEC 8881	1909705	30
3	E26, E38, E41	IC DEC 7404	1909686	29
4	E15, E32, E35, E37	IC DEC 384	1909486	28
1	E29	IC DEC 7402	1909004	27
1	E39	IC DEC 7430	1905578	26
1	E24	IC DEC 7420	1905577	25
2	E5, E8	IC DEC 7410	1905576	24
1	E11	IC DEC 7400	1905575	23
4	E6, E7, E9, E19	IC DEC 7474	1905547	22
7	Q1 THRU Q7	TRANSISTOR DEC 3009B	1503100	21
2	R81, R82	RES 60K 3/4W 10% 76 PR	1307143-13	20
1	R79	RES 4.7K 1/4W 5%	1300447	19
4	R65 THRU R68	RES 6.8K 1/4W 5%	1301423	18
6	R50, R49, R47, R53, R54, R59	RES 27 1/4W 10%	1301420	17
1	R80	RES 5.6K 1/4W 5%	1301874	16
68	R1 THRU R43, R45, R46, R48, R49, R51, R52, R54, R55, R57, R58, R60, R61 THRU R64, R69 THRU R78	RES 220 1/4W 5%	1300271	15
3		HEADER RIGHT ANGLE	1209941	14
43	D1 THRU D43	DIODE D664	1100114	13
10	D44 THRU D53	DIODE D662	1100113	12
23	C1 THRU C19, C23, C24, C25, C32	CAP .01UF, 100V, 20% DISC	1001610	11
3	C20, C21, C22	CAP 6.8UF, 35V, 10% S-TAAT	1005206	10
1	C30	CAP 150PF, 100V, 5% D.M	1000019	9
2	C27, C28	CAP 68PF, 100V, 5% D.M	1000014	8
1	C26	CAP 33PF, 100V, 5% D.M	1000010	7
2	C31, C26	CAP 10PF, 100V, 5% D.M	1000006	6
1		ETCHED CIRCUIT BOARD	5009594	5
REF		MODULE ECO HISTORY	B-MH-MB350-0-1	4
REF		ASSY/DRILLING HOLE LAYOUT	D-AH-MB350-0-1	3
REF		X-Y COORDINATE HOLE .30" DIA	K-CO-MB350-0-1	2
4		SPACER (CABLE CLAMP)	1202704	1

IC TYPE	GRID	±5V
DEC 2501	N NE W NE	
DEC 74123	5 16	
DEC 6380	7 8	
DIC 384	1 6	

ITEM NO	ANG	FROM PT	TO PT

ETCH BOARD REV C

DATE: 5-3-71

FILE: POSITIVE I/O BUS INTERFACE

DEC 3009 B 2N 3009 B

D664 IN 3606

D662 IN C45

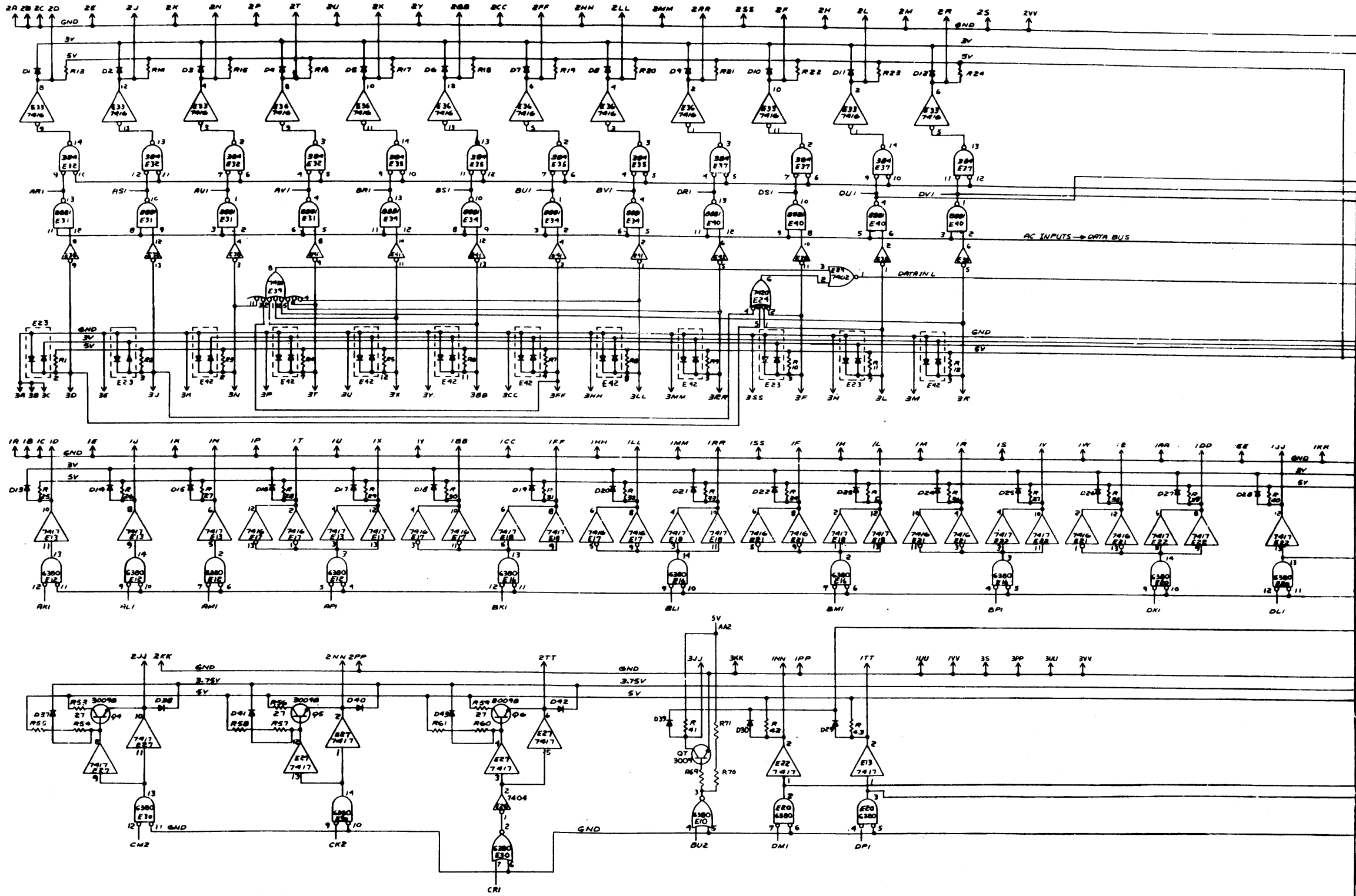
SEMICONDUCTOR CONVERSION CHART

DEC NO. EIA NO. DEC NO. EIA NO.

SCALE: 2/1

SHEET 1 OF 3

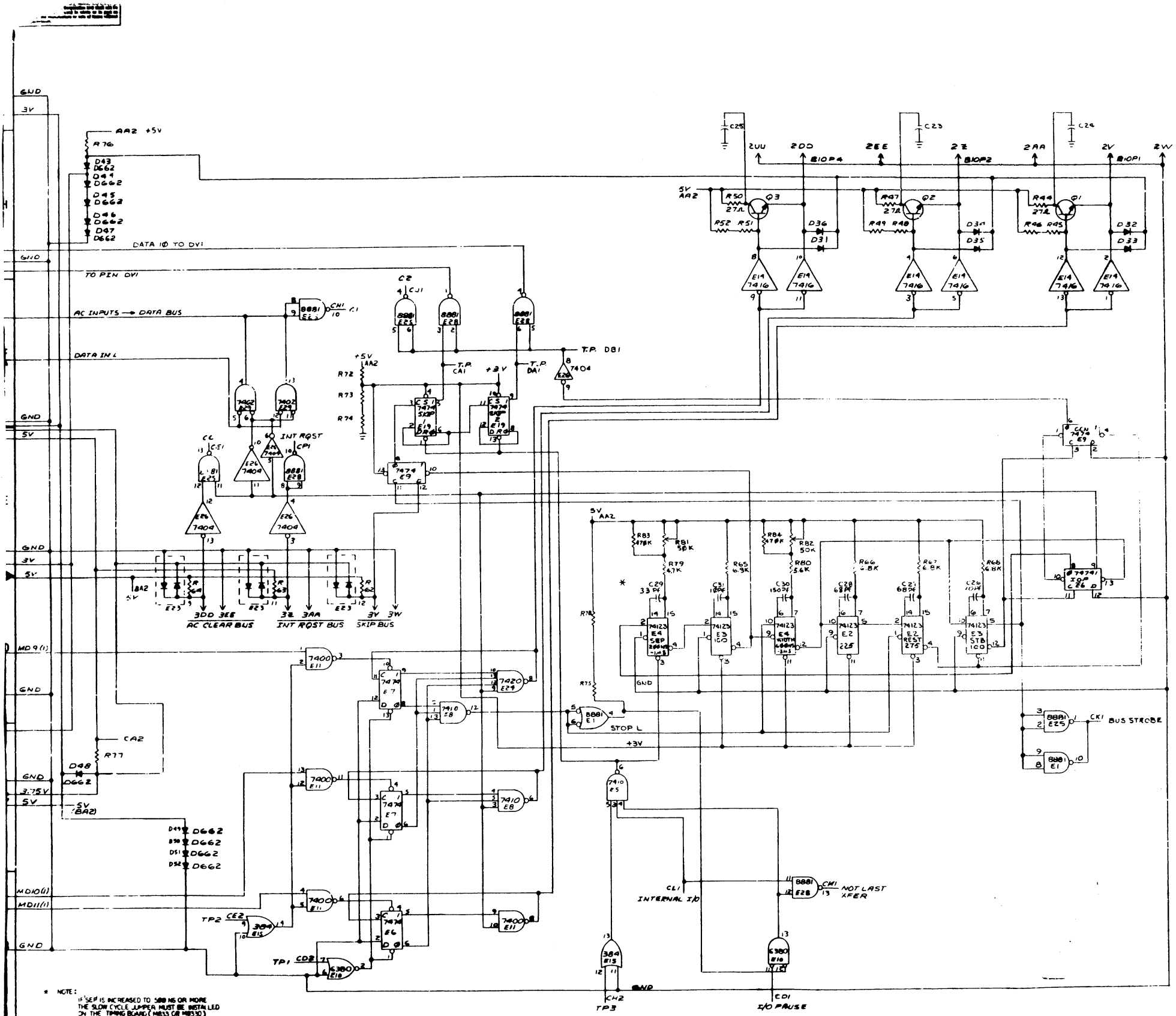
REVISIONS: 1, 2, 3, 4, 5, 6, 7, 8, 9, 10, 11, 12, 13, 14, 15, 16, 17, 18, 19, 20, 21, 22, 23, 24, 25, 26, 27, 28, 29, 30, 31, 32, 33, 34, 35, 36, 37, 38, 39, 40, 41, 42, 43, 44, 45, 46, 47, 48, 49, 50, 51, 52, 53, 54, 55, 56, 57, 58, 59, 60, 61, 62, 63, 64, 65, 66, 67, 68, 69, 70, 71, 72, 73, 74, 75, 76, 77, 78, 79, 80, 81, 82, 83, 84, 85, 86, 87, 88, 89, 90, 91, 92, 93, 94, 95, 96, 97, 98, 99, 100



REV	DESCRIPTION	DATE	BY
1	POSITIVE I/O BUS INTERFACE	11/27/71	...
2
3

QTY	DESCRIPTION	PART NO.	ITEM NO.
1
1
1

EQUIPMENT CORPORATION TITLE: POSITIVE I/O BUS INTERFACE PART NO: M8350 01 C DATE: 11/27/71 BY: ...	1 2 3 4 5 6 7 8
--	--------------------------------------



* NOTE:
IF SW IS INCREASED TO 500 NS OR MORE
THE SLOW CYCLE JUMPER MUST BE INSTALLED
ON THE TRAMP BOARD (M833 OR M833D)

QTY	DESCRIPTION	PART NO.	ITEM NO.
PARTS LIST			
EQUIPMENT CORPORATION			
TITLE: POSITIVE I/O BUS INTERFACE			
DRAWN: [Signature] DATE: 5-25-71			
CHECKED: [Signature] DATE: 6-2-71			
APPROVED: [Signature] DATE: 6-2-71			
PART USED ON: [Blank]			
SCALE: [Blank]			
SHEET: 3 OF 3			
DRAWN: [Blank]			
DATE: [Blank]			

MASTER DRAWING LIST

UNIT VARIATIONS	
MAINTENANCE MANUALS	TITLE
KA8-E	X

USED ON OPTIONS

PDP8/E			
PDP8/M			

DIGITAL EQUIPMENT CORPORATION <small>MAYNARD, MASSACHUSETTS</small>			
DRN.	DATE	TITLE	REV.
K. GULICK	18-71	POSITIVE I/O BUS INTERFACE	H
CHK'D	DATE		
K. GULICK	18-71		
ENG.	DATE		
L. KLOTZ	3-5-71		
PROJ. ENG.	DATE		
R. VOEGELIANG	3-5-71		
PROD.	DATE		
L. SAYLOR	3-5-71		
FIRST USED ON			
PDP8/E			
SCALE	NONE	SIZE CODE	NUMBER
		A ML	KA8-E
SHEET	1	DIST.	
	OF		
	2		

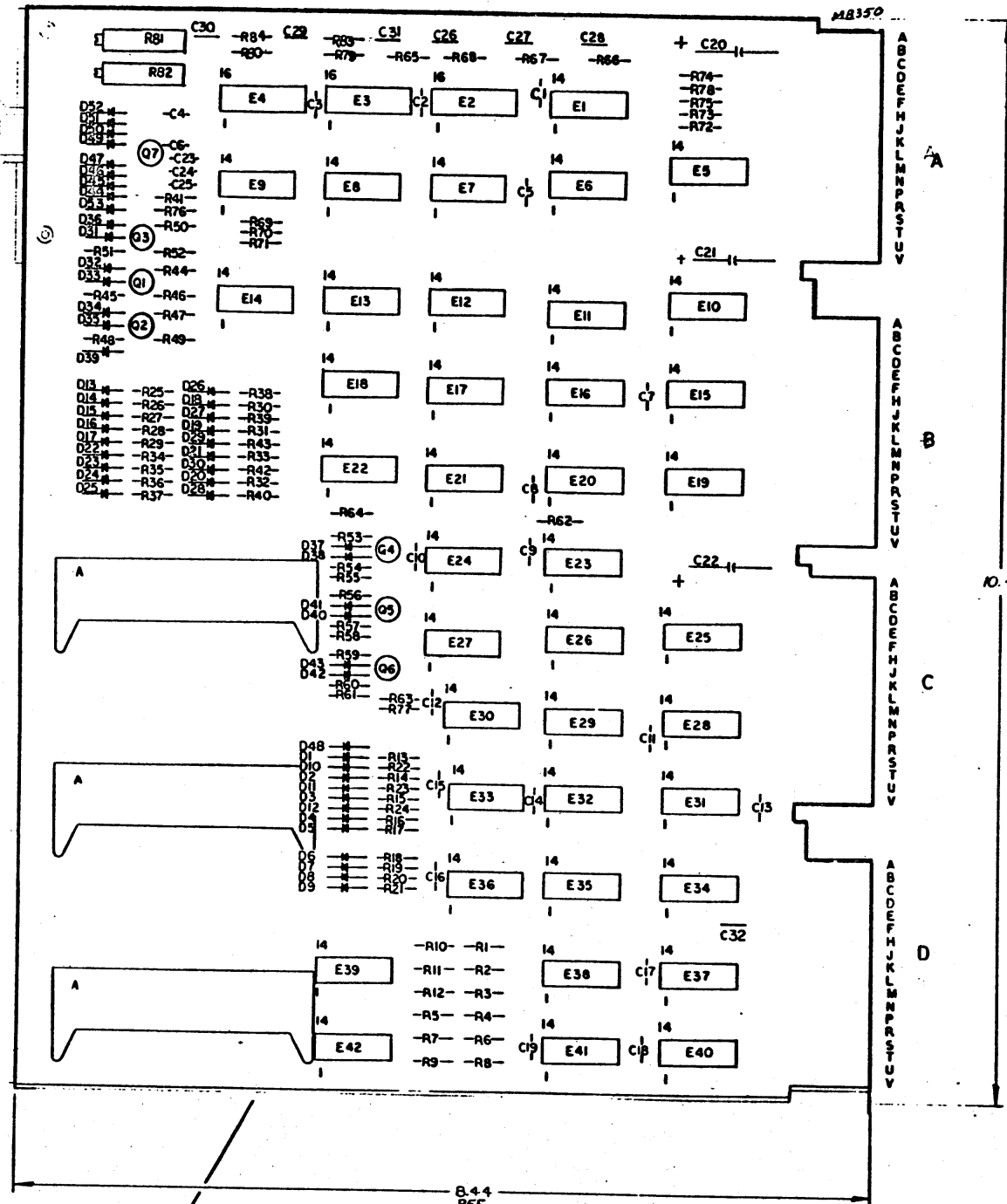
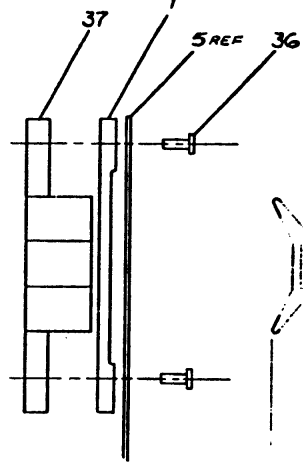
REVISIONS	
APPD.	CHG. NO. DATE
L.K.	3/23/71 00001
A.V.	7/71 MISC-86
A.B.	8/71 KA8E-2
AV	10/71 KA8E-3
	1/72 BE-00055
	3/72 KA8E-4
	4/72 KA8E-5

PRINT SET		DWG. NO.	REV. NO. OF LET. SHEETS	TITLE	OPTION NO.
KA8-E		A-PL-KA8-E-0	A	1 POSITIVE I/O BUS INTERFACE (PARTS LIST)	
X		E-CS-M8350-0-1	#	3 POSITIVE I/O BUS INTERFACE	
-		A-SP-KA8-E-2	2	TEST PROCEDURE	
-		A-SP-KA8-E-3	3	ACCEPTANCE PROCEDURE	
-		A-SP-KA8-E-4	3	ENGINEERING SPECS	
X		A-AL-KA8-E-5	1	ACCESSORY LIST	
X		D-UA-BC08J-0-0	#	1 I/O CABLE (BC08J)	

TITLE POSITIVE I/O BUS INTERFACE			SHEET	2	OF	2	SIZE CODE	A ML	NUMBER	KA8-E	REV.	H
---	--	--	-------	---	----	---	-----------	------	--------	-------	------	---

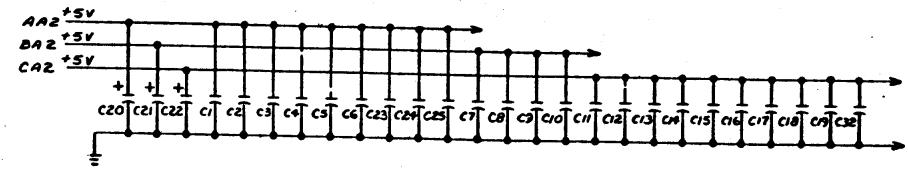
DRA 132
 DEC 16-(325)-1048-1-N471

NOTES:
 1. UNLESS OTHERWISE NOTED,
 CAPACITOR C1-1F 100V 20%
 RESISTOR 220 1/4W 5%



10.44 REF

B.44 REF



QTY	REF DESIGNATION	DESCRIPTION	PART NO.	QTY
2	R84, R83	RES 470K 1/4W 5%	1302398	40
1	C29	CAP 33 PF, 100V 5% D.M.	1000009	39
1/2		GRIPLET	1210244-0	36
4		HANDLE FLIP CHIP - MAGENTA	9008337-C6	37
8		EYELET GS 4-II STIMPSON	9006750	36
3	E2, E3, E4	IC DEC 74123	1910436	35
2	E23, E42	IC DEC 2501	1910010	34
5	E0, E2, E16, E20, E30	IC DEC 6380	1909971	33
4	E13, E18, E22, E27	IC DEC 7417	1909929	32
5	E1, E25, E28, E33, E36	IC DEC 7416	1909928	31
6	E12, E22, E31, E34, E40	IC DEC 8881	1909705	30
3	E26, E38, E41	IC DEC 7404	1909686	29
4	E15, E32, E35, E37	IC DEC 384	1909486	28
1	E29	IC DEC 7402	1909004	27
1	E39	IC DEC 7430	1905578	26
1	E24	IC DEC 7420	1905577	25
2	E5, E8	IC DEC 7410	1905576	24
1	E11	IC DEC 7400	1905575	23
4	E6, E7, E9, E19	IC DEC 7474	1905547	22
7	Q1 THRU Q7	TRANSISTOR DEC 3009B	1503100	21
2	R81, R82	RES 60K 3/4W 10% T6 PR	130143-13	20
1	R79	RES 4.7 K 1/4W 5%	1300447	19
4	R65 THRU R68	RES 6.8K 1/4W 5%	1301423	18
6	R50, R49, R47, R53, R56, R59	RES 27 1/4W 10%	1301420	17
1	R80	RES 6.6K 1/4W 5%	1301874	16
68	R1 THRU R43, R45, R46, R48, R49, R51, R52, R54, R55, R57, R58, R60, R61 THRU R64, R69 THRU R78	RES 220 1/4W 5%	1300271	15
3		HEADER RIGHT ANGLE	1209991	14
43	D1 THRU D43	DIODE D664	1100114	13
10	D44 THRU D53	DIODE D662	1100113	12
23	C1 THRU C19, C23, C24, C25, C32	CAP. 0.1uF, 100V, 20% DISC	1001640	11
3	C20, C21, C22	CAP 6.8 uF, 35V, 10% STANT	100E306	10
1	C30	CAP 150PF, 100V, 5% D.M.	1000019	9
1	C28	CAP 68 PF, 100V, 5% D.M.	1000014	8
1	C27	CAP 82 PF, 100V, 5%	1000015	7
2	C31, C26	CAP 10 PF, 100V, 5% D.M.	1000008	6
1		ETCHED CIRCUIT BOARD	5009E94	5
REF		MODULE ECO HISTORY	B-MH-M8350-0-1	4
REF		ASSY/DRILLING HOLE LAYOUT	D-AM-M8350-0-1	3
REF		X-Y COORDINATE MOLD .JCA" M	KCD-M8350-0-1	2
4		SPACER (CABLE CLAMP)	1202704	1

IC TYPE	QTY	±5V
DEC 2501	NONE	NONE
DEC 74123	8	16
DEC 6380	7	8
DEC 384	1	8

ONE END OF WIRE USUALLY PIN 7 AND 14 RESPECTIVELY UNLESS OTHERWISE NOTED ABOVE

IC PIN LOCATIONS

ETCH BOARD REV C

DATE: 5-71

DESIGNED BY: [Signature]

DRUMMATED

SEMICONDUCTOR CONVERSION CHART

SCALE: 1/1

DATE: 1-71

REV: 1

EQUIPMENT CORPORATION

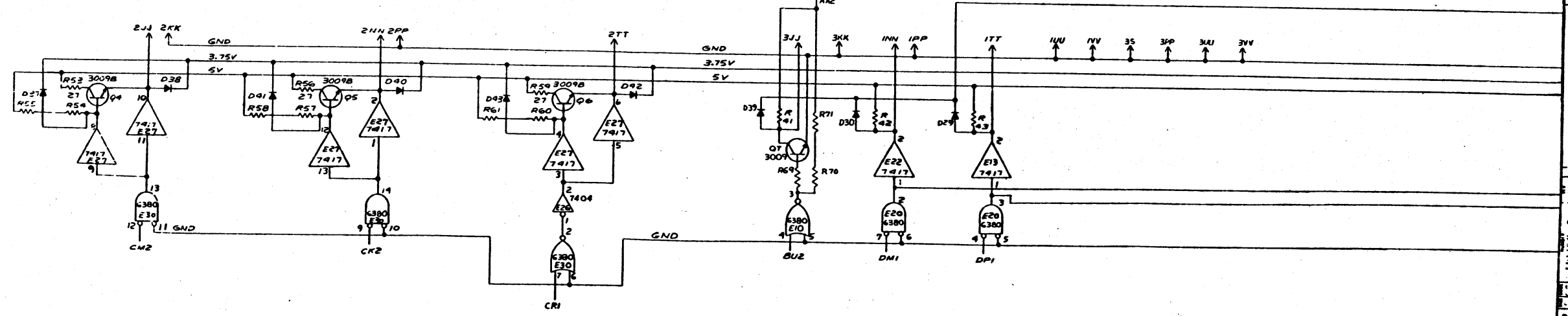
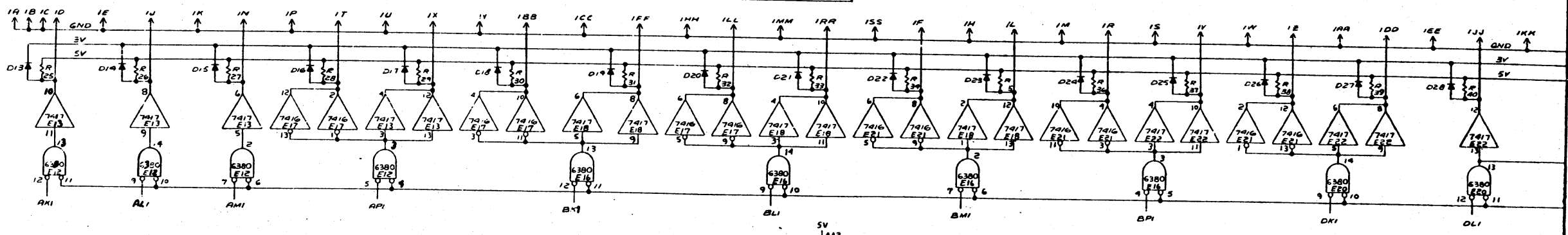
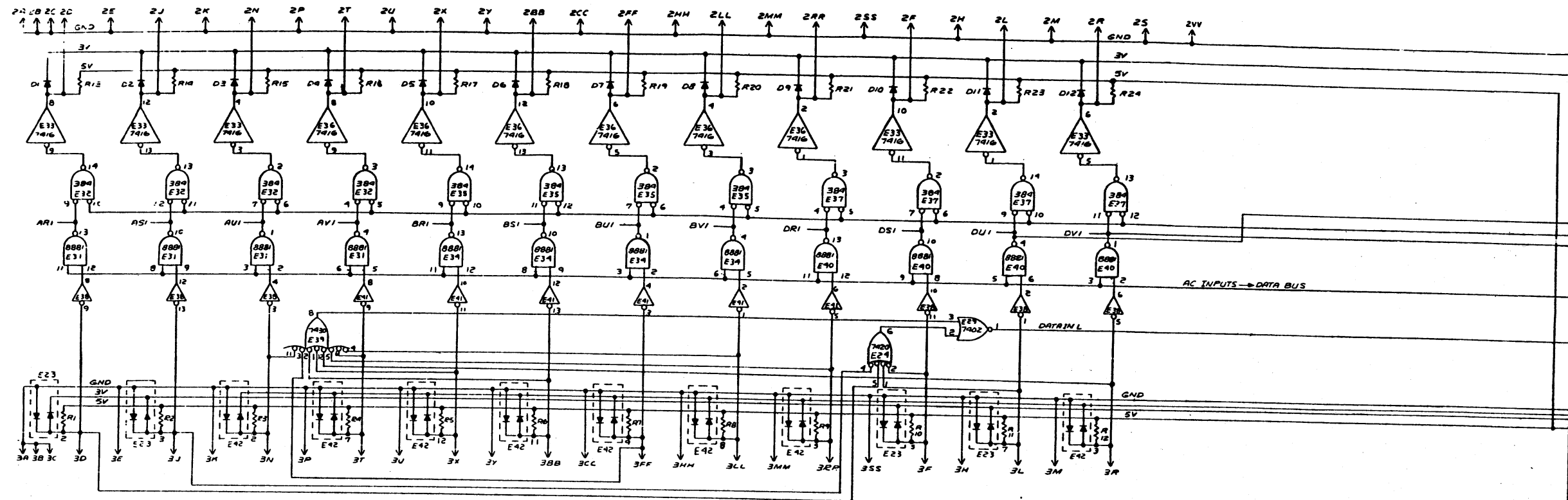
POSITIVE I/O BUS INTERFACE

DEC NO: DEC 3009B
 D664
 D662

EIA NO: PN 3009B
 1N 3636
 1N 435

REV: 1

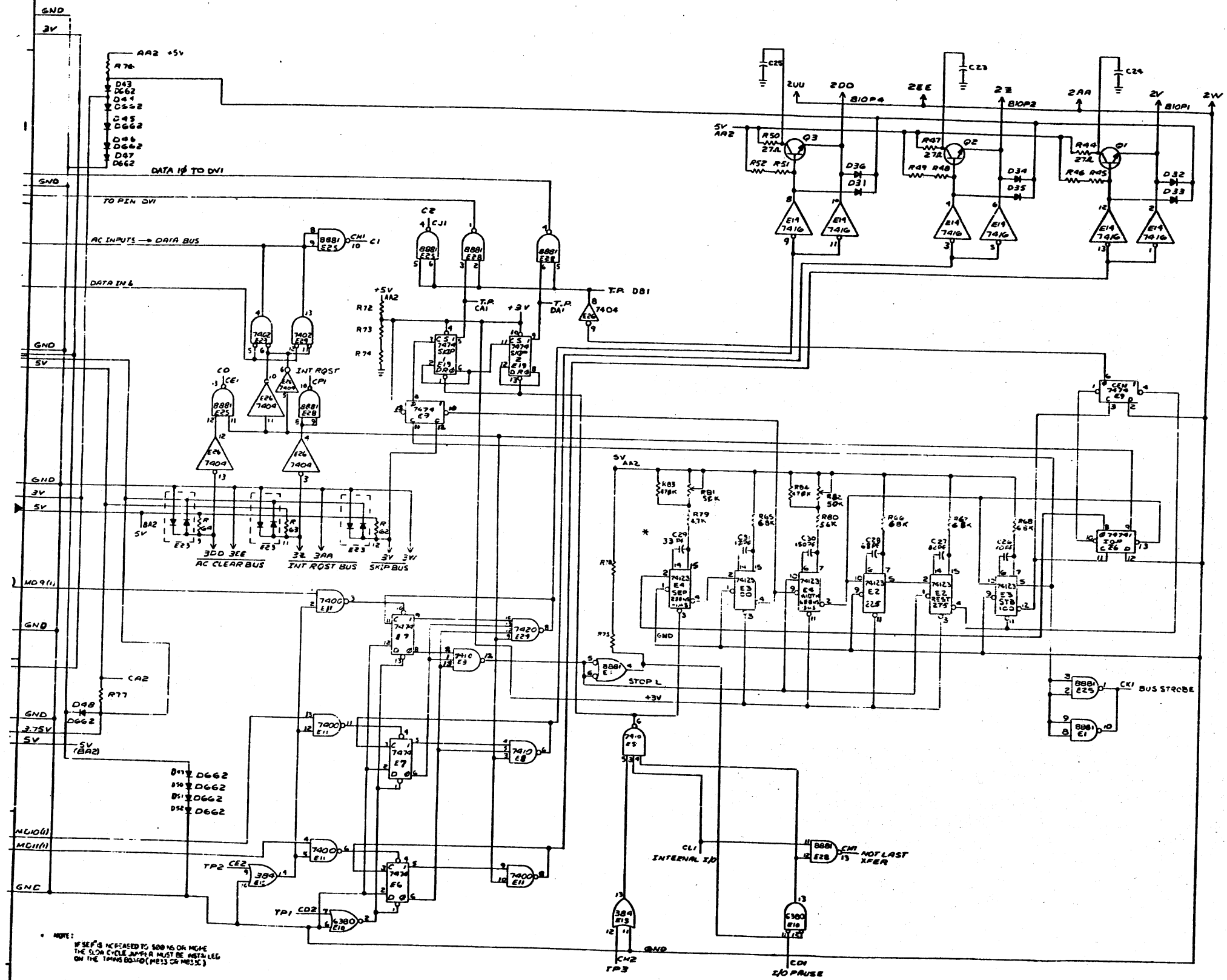
REV: D



100-100000-0000
 100-100000-0000
 100-100000-0000

REV	DATE	DESCRIPTION	PART NO	QUANTITY
1				
2				
3				
4				
5				
6				
7				
8				
9				
10				

UNLESS OTHERWISE SPECIFIED: DIMENSIONS IN INCHES TOLERANCES FINISH SURFACE QUALITY MATERIALS		UNLESS OTHERWISE SPECIFIED: PARTS LIST Original EQUIPMENT CORPORATION POSITIVE I/O BUS INTERFACE	
FIRST USED ON SCALE SHEET 2 OF 3	DATE DATE DATE DATE DATE DATE	DRAWN BY CHECKED BY DESIGNED BY APPROVED BY PART NO REV	TITLE POSITIVE I/O BUS INTERFACE NUMBER M8350-0-1 REV D



NOTE:
IF SET B IS INCREASED TO 500 NS OR MORE
THE SLOW CYCLE SUPPLY MUST BE INSTALLED
ON THE TIMING BOARD (M033 OR M035)

UNLESS OTHERWISE SPECIFIED		DATE: 7-29-71	REV: 1
TOLERANCES		DATE: 7-29-71	REV: 1
RESISTORS		DATE: 7-29-71	REV: 1
CAPACITORS		DATE: 7-29-71	REV: 1
DIMENSIONS		DATE: 7-29-71	REV: 1
MATERIALS		DATE: 7-29-71	REV: 1
FINISHES		DATE: 7-29-71	REV: 1
EQUIPMENT CORPORATION		DATE: 7-29-71	REV: 1
POSITIVE I/O BUS INTERFACE		DATE: 7-29-71	REV: 1
M8350-0-1		DATE: 7-29-71	REV: 1
SHEET 3 OF 3		DATE: 7-29-71	REV: 1