

THIS DRAWING AND SPECIFICATIONS, HEREIN, ARE THE PROPERTY OF DIGITAL EQUIPMENT CORPORATION AND SHALL BE RETURNED TO THE COMPANY OR TO THE PERSON TO WHOM THE COMPANY HAS ASSIGNED THE PROPERTY THEREON UPON THE DEMAND OF THE COMPANY.

COMPONENT SIDE VIEW



VUYSRPNMLKJHFEDCBA

VUYSRPNMLKJHFEDCBA

VUYSRPNMLKJHFEDCBA

VUYSRPNMLKJHFEDCBA

VUYSRPNMLKJHFEDCBA

VUYSRPNMLKJHFEDCBA

NOTE: MODULE NETWORK AT RELEASE
ETCH CUT SIDE 2 OF 1 BETWEEN
DA2 & 2 FEEDTHRU NEAR C16

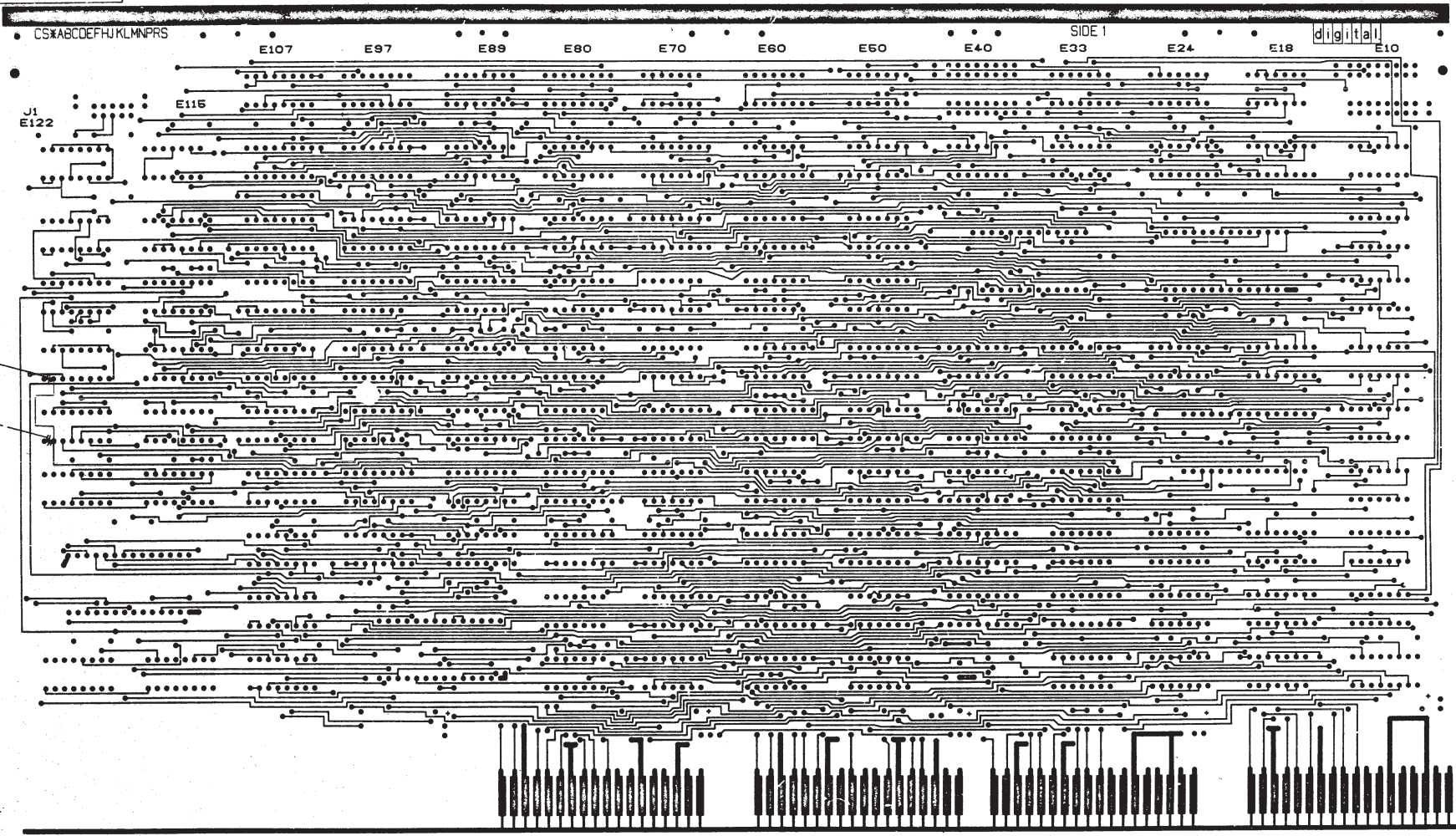
CHANGE NO	REV	DATE	BY	CHK'D	APP'D
1	1	10/1/77	J. J. MULLASCOOLI		
2	1	10/1/77	S. K. LIEN		
3	1	10/1/77	M. J. COLE		
4	1	10/1/77	A. J. HINDY		

ETCH REV.	C
P.C. DESIGN DATA BAYE. REV.	C

SIGNATURES	DATE
DRN. Jack Kelsey	10/1/77
CHK'D. Jack Kelsey	10/1/77
ENG. P. R. [Signature]	10/1/77
PRD. ENG. P. R. [Signature]	10/1/77
SCALE 2/1	
SHT. 1 OF 6	
NEXT HIGHER ASSY. KM 8B	

digital
TITLE PDP8 MEMORY
MANAGEMENT BOARD
SIZE CODE NUMBER
0 UA M8416-0-0 REV

0

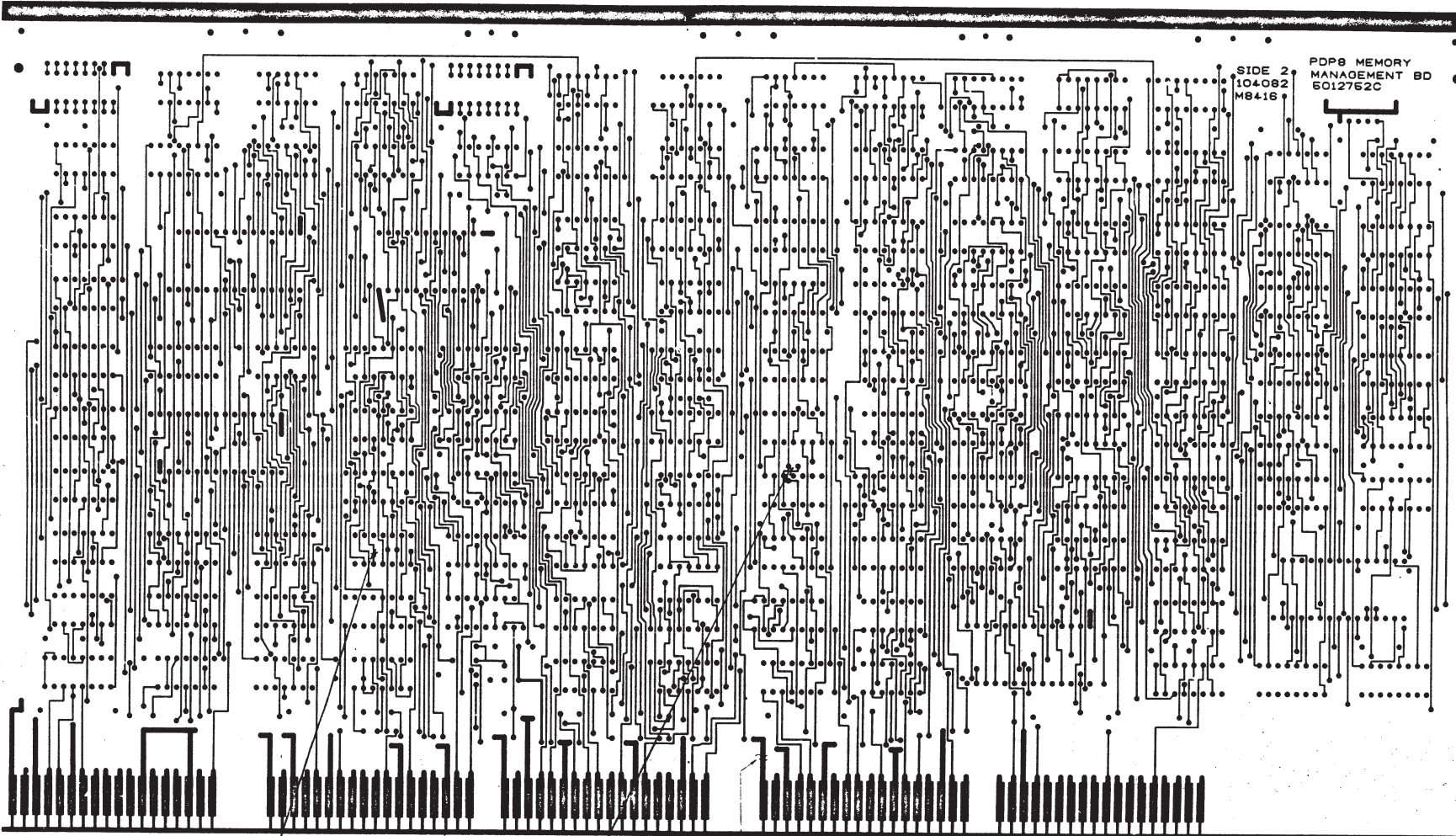


VIEWED FROM SIDE 1

REVISIONS		
CHK	CHANGE NO.	REV.

TITLE	FIELD NO.	SERIAL CODE	NUMBER	REV.
MAN-TELETYPE BOARD	DUA	M8416-0-0	D	
SCALE	SHEET	OF	DIST	
		6		

0



SIDE 2
104082
M8416

PDP8 MEMORY
MANAGEMENT BD
6012752C

2-2

1-3

0-1

WIAED FR. M. SIDE 2

REVISIONS		
CHA.	CHANGE NO.	REV.

TITLE	PDP8 MEMORY MANAGEMENT BOARD	SIZE/QUOT	NUMBER	REV.
SCALE	1:1	SHEET	5 OF 6	DIST
			DUA M8416 -0-C	D

THIS DRAWING AND SPECIFICATIONS, HEREIN, ARE THE PROPERTY OF DIGITAL EQUIPMENT CORPORATION AND SHALL NOT BE REPRODUCED OR COPIED OR USED IN WHOLE OR IN PART AS THE BASIS FOR THE MANUFACTURE OR SALE OF ITEMS WITHOUT WRITTEN PERMISSION. COPYRIGHT © DIGITAL EQUIPMENT CORPORATION.

REWORK INSTRUCTIONS

E.C.O. #1

ETCH CUTS SIDE 1

I-1: BETWEEN E118 PIN1 & E118 PIN2

I-2: BETWEEN E119 PIN1 & E119 PIN2

ETCH CUTS SIDE 2

I-3: BETWEEN E64 PIN10 & FEEDTHRU ABOVE AND BETWEEN E64 PINS 11,12

WIRE ADDS SIDE 1

I-4: FROM E118 PIN2 TO E119 PIN2

I-5: FROM E118 PIN1 TO E65 PIN 5-7

I-6: FROM E65 PIN6 TO FEED THRU THAT WAS CUT FROM E64-10

ECO #2:

ETCH CUTS SIDE 2

2-1: E 27-5

WIRE ADDS SIDE 1

2-2: E 33-11 TO E 27-5

REVISIONS

CHK	CHANGE NO.	REV.

TITLE PDP 8 MEMORY MANAGEMENT BOARD		SIZE CODE DUA	NUMBER M8416-0-C	REV. D
SCALE 1:1	SHEET 6 OF 6	DIST.		

LINE ITEM	DOCUMENT NUMBER	PART NUMBER	DESCRIPTION	QTY	REFERENCE DESIGNATOR
1	1	D-PD-5012752-0-0	M8416	1	
2	2	1000016-00	100.0 MMF 100V 53200PPM DM155	2	C12,C19
3	3	1005306-00	6.8MFD 35V 10% S.TANT	5	C1,C8,C14,C16,C24
4	4	1012784-00	.047 MFD 50V -20+80 CER	28	C2-C7,C9,C10,C11,C13,C15,C17,C18,C20-C23, CONT C25-C29,C31-C36
5	5	1110603-00	1N 5711 TM=100PS PIV= 70V HMO	1	D1
6	6	1209941-05	HEADER,100 10POS RT ANGLE	1	J1
7	7	1210711-02	HANDLE,MODULE,HEX	1	
8	8	1300316-00	470 1/4W 5% CC	1	R5
9	9	1300365-00	1 K 1/4W 5% CC	25	R1,R2,R3,R6-R10,R12,R14,R16,R17,R22-R29, CONT R31-P35
10	10	1300479-00	10 K 1/4W 5% CC	12	R4,R11,R13,R15,R18,R19,R21,R30,R36-R39
11	11	1302941-00	14.7 K 1/4W 1% RN55D-F 100PPM	1	R70
12	12	1501999-00	DEC3009A NPN 300MW SI 20 25 M	1	Q1
13	13	1909701-00	74154 1 OF 16,R1MA	1	E31
14	14	1909705-00	DEC 8881 NAND GATE-QUAD 2TN 0	4	E4,F8,E19,E42
15	15	1909934-00	8266 MUS 1 OF 2 (QUAD)	2	E69,E79
16	16	1910393-00	DEC 7384 OR GATE-QUAD 2TN,UTI	4	E52,E53,E72,E75
17	17	1910537-00	74811 AND GATE-TRIPLE 3INP	1	E27
18	18	1910544-00	74874 FF-D DUAL,EDGE TRIGG	3	E32,E63,E65
19	19	1911330-01	74173N FF-D QUAD,TRI-STATF	11	E1,F62,F73,F90,E97,E98,E99,E118,E119,E121, CONT E122
20	20	1911469-00	DEC 8640 RECEIVER,BUS,QUAD,U	7	E3,E11,F25,E41,E51,F61,E71
21	21	1911527-00	8097 BUFFER GATE-HEX 2INP	10	E37,E55,E83,F84,E91,E100,E101,E104,E105, CONT E107
22	22	1911579-00	8641 TRANSCIVER,BUS,QUA	3	E12,E13,E45
23	23	1911676-00	748139 DECODER-DUAL TWO-IMP	1	E120
24	24	1912380-00	74802 NOR GATE-QUAD 2IN,PO	1	E64
25	25	1912649-00	LS75 LATCH 4BIT,BISTABE	1	E26
26	26	1912661-00	748189 MEMORY READ/WRITE	1	E02

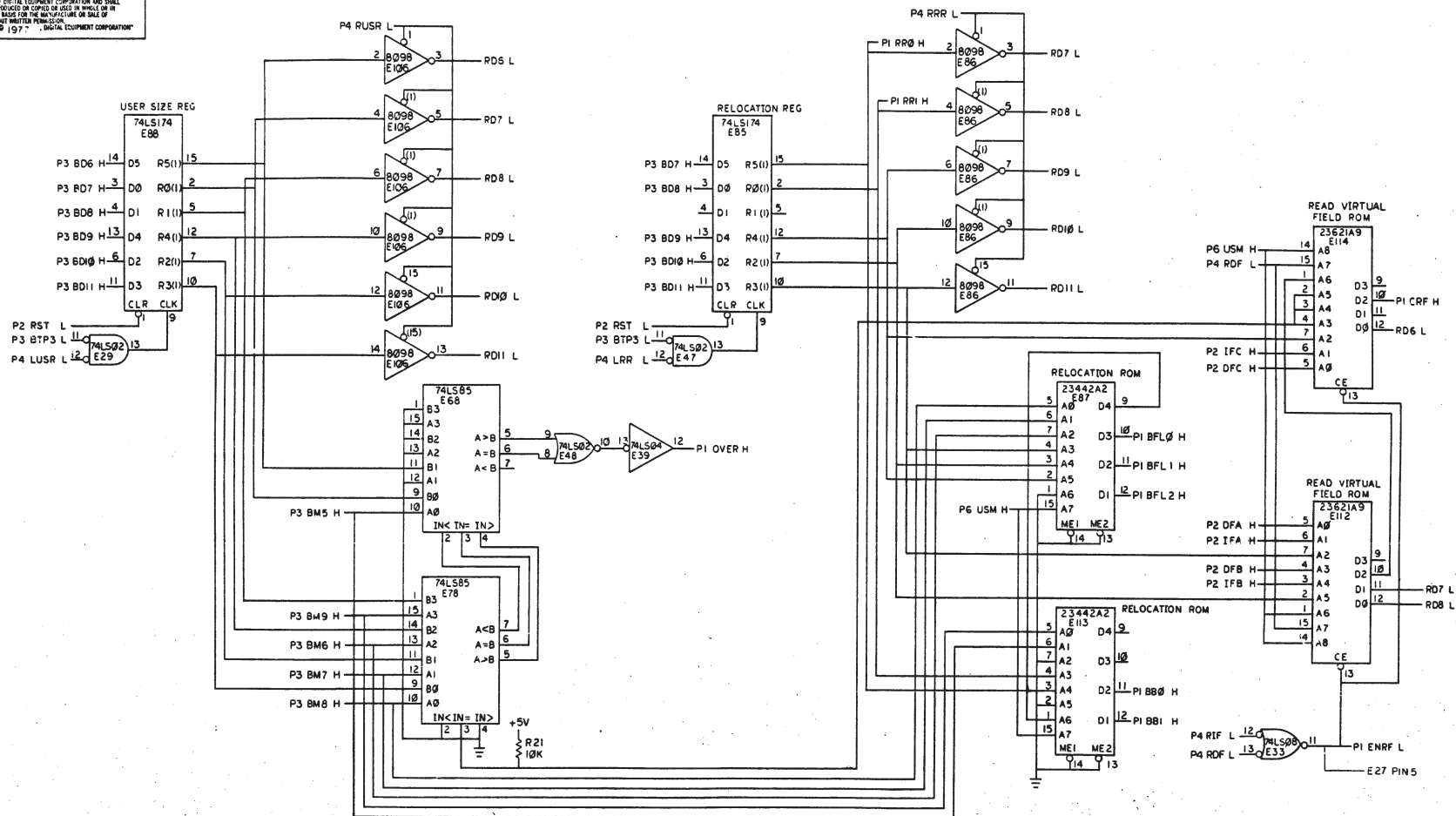
REVISION HISTORY				SECTION 1 OF 1				RESP,ENG., R. REGAN				DATE: 27-OCT-77				D I G I T A L			
ENG	ECO NUMBER	REV	SECTION, VARIATION INDEX	MADE BY: TED KELLEY				DATE: 29-AUG-77				TITLE				PARTS LIST			
J.A.	100001	1C		CHECKED: N. GELARDERES								PDP8 MEMORY MANAGEMENT BOARD							
A.T.	M8416-ML002	1D	1.00	DSN,ENG., R. REGAN				DATE: 14-NOV-77				SIZE: CODE: DOCUMENT NUMBER: REV							
			2.	PROD., MELVIN SCHENKE				DATE: 14-NOV-77				K PL M8416-0-DBP				D			
			3.	ASSEMBLY NUMBER: D-UA-M8416-0-0				PART NUMBER: M8416				EDIT				36			
			4.	THIS DRAWING AND SPECIFICATIONS HEREIN, ARE THE PROPERTY OF DIGITAL EQUIPMENT CORPORATION AND SHALL NOT BE REPRODUCED OR COPIED OR USED IN WHOLE OR IN PART AS THE BASIS FOR THE MANUFACTURE OR SALE OF ITEMS WITHOUT WRITTEN PERMISSION.															
			5.	COPYRIGHT 1979, DIGITAL EQUIPMENT CORPORATION															
			6.																
			7.																
			8.																
			9.																
			10.																
			11.																
			12.																

LINE	ITEM	DOCUMENT NUMBER	PART NUMBER	DESCRIPTION	QTY	REFERENCE DESIGNATOR
27	27		1912697-00	LS174 FF-D HEX W/CLEAR	5	E15,E17,E85,E88,E103
28	28		1912796-00	74148 EXCODER,PRIORITY,R T	1	EA9
29	29		1912799-00	LS04 NAND-GATE-QUAD 2IN,P	R	E6,E18,E50,E54,E57,E66,E70,E94
30	30		1912800-00	LS01 NAND-GATE-QUAD 2IN,P	1	E20
31	31		1912801-00	LS02 NOR-GATE-QUAD 2IN	3	E29,E47,E48
32	32		1912803-00	LS04 INVERTER GATE-HEX 1I	R	E2,E5,E7,E22,E39,E44,E58,E115
33	33		1912805-00	LS08 AND GATE-QUAD 2IN,PO	2	E33,E67
34	34		1912807-00	LS10 NAND GATE-TRIPLE 3TN	5	E21,E24,E49,E56,E92
35	35		1912810-00	LS20 NAND GATE-DUAL 4TN	3	E9,E36,E43
36	36		1912815-00	LS30 NAND GATE-SINGLE 8TN	1	E30
37	37		1912817-00	LS37 NAND GATE-QUAD 2IN,P	1	E38
38	38		1912819-00	LS42 DECODER,RCD-DECIMAL	1	E34
39	39		1912824-00	LS74 FF-D DUAL,EDGE TRIGG	3	E59,E60,E76
40	40		1912828-00	LS85 COMPARATOR,4BIT MAGN	2	E68,E78
41	41		1912853-00	LS175 FF-D QUAD	8	E35,E46,E93,E102,E108,E110,E116,E117
42	42		1912858-00	LS221 ONE SHOT-DUAL,SCHMITT	1	E77
43	43		1912859-00	LS256 MUX 1 OF 2 (DUAL),	1	E23
44	44		1914087-00	8098 BUFFER GATE-HEX 2IN,	4	E86,E95,E96,E106
45	45		23211A1-00	A1-07	1	E80
46	46		23440A2-00	A2-05	1	E28
47	47		23441A2-00	A2-05	1	E74
48	48		23442A2-00	A2-05	2	E87,E113
49	49		23621A9-00	A9-01	3	E111,E112,E114
50	50		23007C6-00	C6-01	1	E14
51	51		23008C6-00	C6-01	1	E16
52	52		23009C6-00	C6-01	1	EA1
53	53		23010C6-00	C6-01	1	E109
54	54		9000024-01	EYLEFT, ROLLED FLANGE, .121 OD X	12	
55	55		9105740-55	WIRE(WRAP)30AWG UL1423	A/R	

56 NOTE: LINE 18: PARTS SUBSTITUTION LIST
 57 NOTE: ITEM #18 1910544-01 74574 FF-D DUAL (60 VERSION) QTY 3
 58 NOTE: ITEM #18 1910950-00 74574 FF-D DUAL (45 VERSION) QTY 3

D	I	G	I	T	A	L	TITLE	SECTION	1	OF	1	SIZE	CODE	DOCUMENT NUMBER	R.
							PUPB MEMORY MANAGEMENT BOARD					K	PL	M8416-0-DBP	D

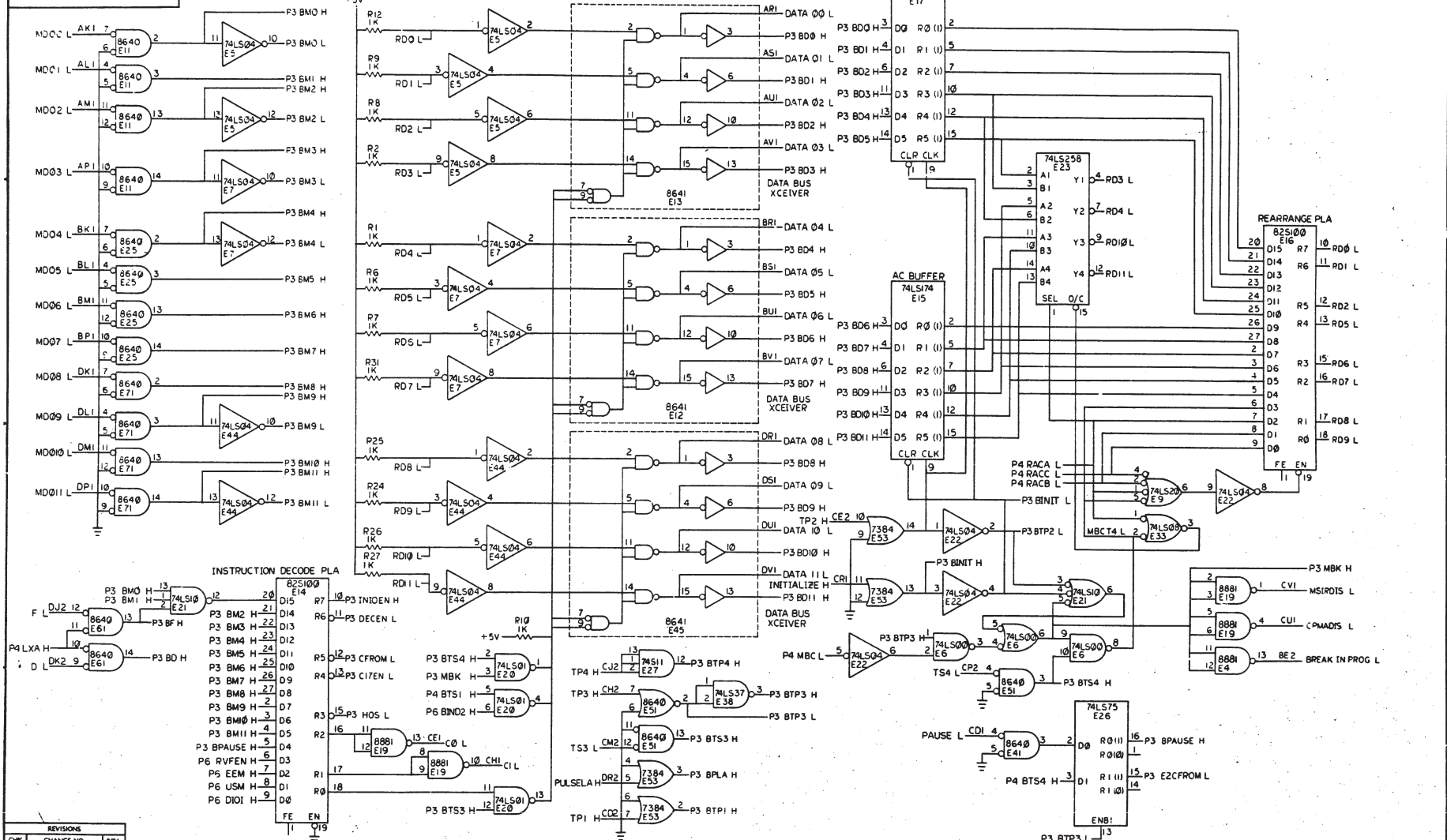
THIS DRAWING AND SPECIFICATIONS HEREIN ARE THE PROPERTY OF DIGITAL EQUIPMENT CORPORATION AND SHALL NOT BE REPRODUCED OR COPIED OR USED IN WHOLE OR IN PART AS THE BASIS FOR THE MANUFACTURE OR SALE OF ITEMS WITHOUT WRITTEN PERMISSION.
 COPYRIGHT © 1977, DIGITAL EQUIPMENT CORPORATION



CHK	DATE	BY
1A	MBALG-0000	C
1B	MBALG-0000	C
1C	MBALG-0000	C
1D	MBALG-0000	C
1E	MBALG-0000	C
1F	MBALG-0000	C
1G	MBALG-0000	C
1H	MBALG-0000	C
1I	MBALG-0000	C
1J	MBALG-0000	C
1K	MBALG-0000	C
1L	MBALG-0000	C
1M	MBALG-0000	C
1N	MBALG-0000	C
1O	MBALG-0000	C
1P	MBALG-0000	C
1Q	MBALG-0000	C
1R	MBALG-0000	C
1S	MBALG-0000	C
1T	MBALG-0000	C
1U	MBALG-0000	C
1V	MBALG-0000	C
1W	MBALG-0000	C
1X	MBALG-0000	C
1Y	MBALG-0000	C
1Z	MBALG-0000	C

DRN	TESLA	11-4-77	FIRST USED ON	KT8-A
CHKD		11-17-77		
ENGR		12-7-77	TITLE	PDP8 MEMORY MANAGEMENT BOARD
PROJ. ENGR		12-7-77		
PROD. ENGR		12-7-77		
NEXT HIGHER ASSY. (PI)				
D-UA-M8416-0-0	SIZE	CODE	NUMBER	REV
	D	CS	M8416-0-1	0
SCALE				
SHEET	1	OF	7	DIST.

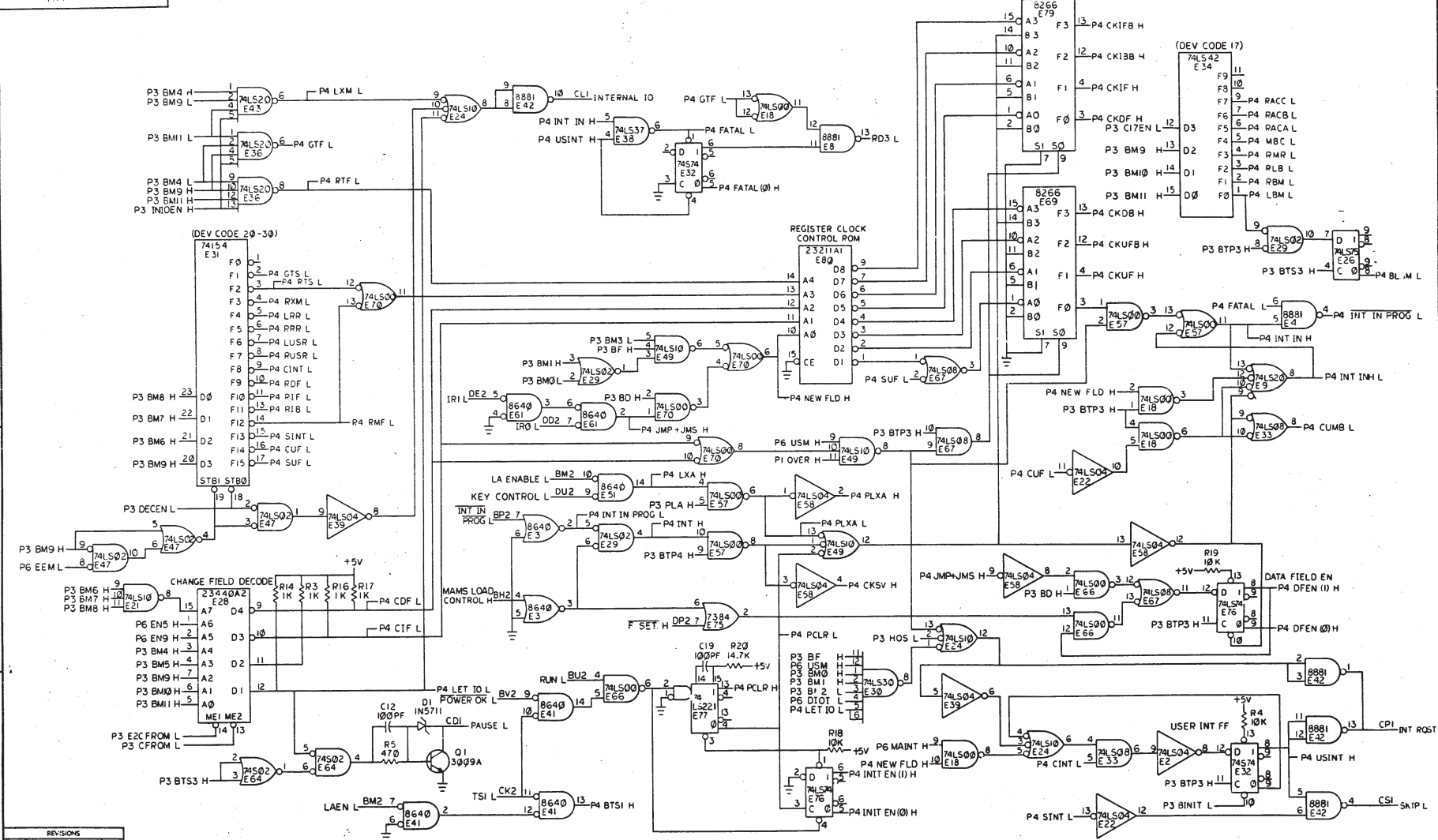
THIS DRAWING AND SPECIFICATIONS HEREIN ARE THE PROPERTY OF DIGITAL EQUIPMENT CORPORATION AND SHALL NOT BE REPRODUCED OR COPIED OR USED IN WHOLE OR IN PART AS THE BASIS FOR THE MANUFACTURE OR SALE OF ITEMS WITHOUT WRITTEN PERMISSION. COPYRIGHT © 1977 DIGITAL EQUIPMENT CORPORATION



REVISIONS		
CHK	CHANGE NO.	REV.

TITLE	PDP8 MEMORY MANAGEMENT BOARD (P3)	SIZE CODE	D CS	NUMBER	M8416-0-1	REV.	0
SCALE		SHEET	3 OF 7	DIST.			

"THIS DRAWING AND SPECIFICATIONS, HEREIN, ARE THE PROPERTY OF DIGITAL EQUIPMENT CORPORATION AND SHALL NOT BE REPRODUCED OR COPIED OR USED IN WHOLE OR IN PART AS THE BASIS FOR THE MANUFACTURE OR SALE OF ITEMS WITHOUT WRITTEN PERMISSION. COPYRIGHT © 1977, DIGITAL EQUIPMENT CORPORATION"

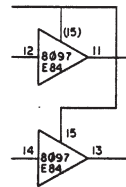
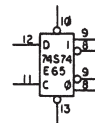
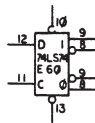
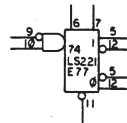
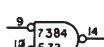
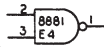


REVISIONS		
CHK	CHANGE NO.	REV.

TITLE	PDP8 MEMORY MANAGEMENT BOARD (P4)	SIZE CODE	D/C S	NUMBER	M8416-0-1	REV.	
SCALE		SHEET	4 OF 7	DIST.			

THIS DRAWING AND SPECIFICATIONS, HEREIN, ARE THE PROPERTY OF DIGITAL EQUIPMENT CORPORATION AND SHALL NOT BE REPRODUCED OR COPIED OR USED IN WHOLE OR IN PART AS THE BASIS FOR THE MANUFACTURE OR SALE OF ITEMS WITHOUT WRITTEN PERMISSION. COPYRIGHT © 1977 DIGITAL EQUIPMENT CORPORATION

SPARES

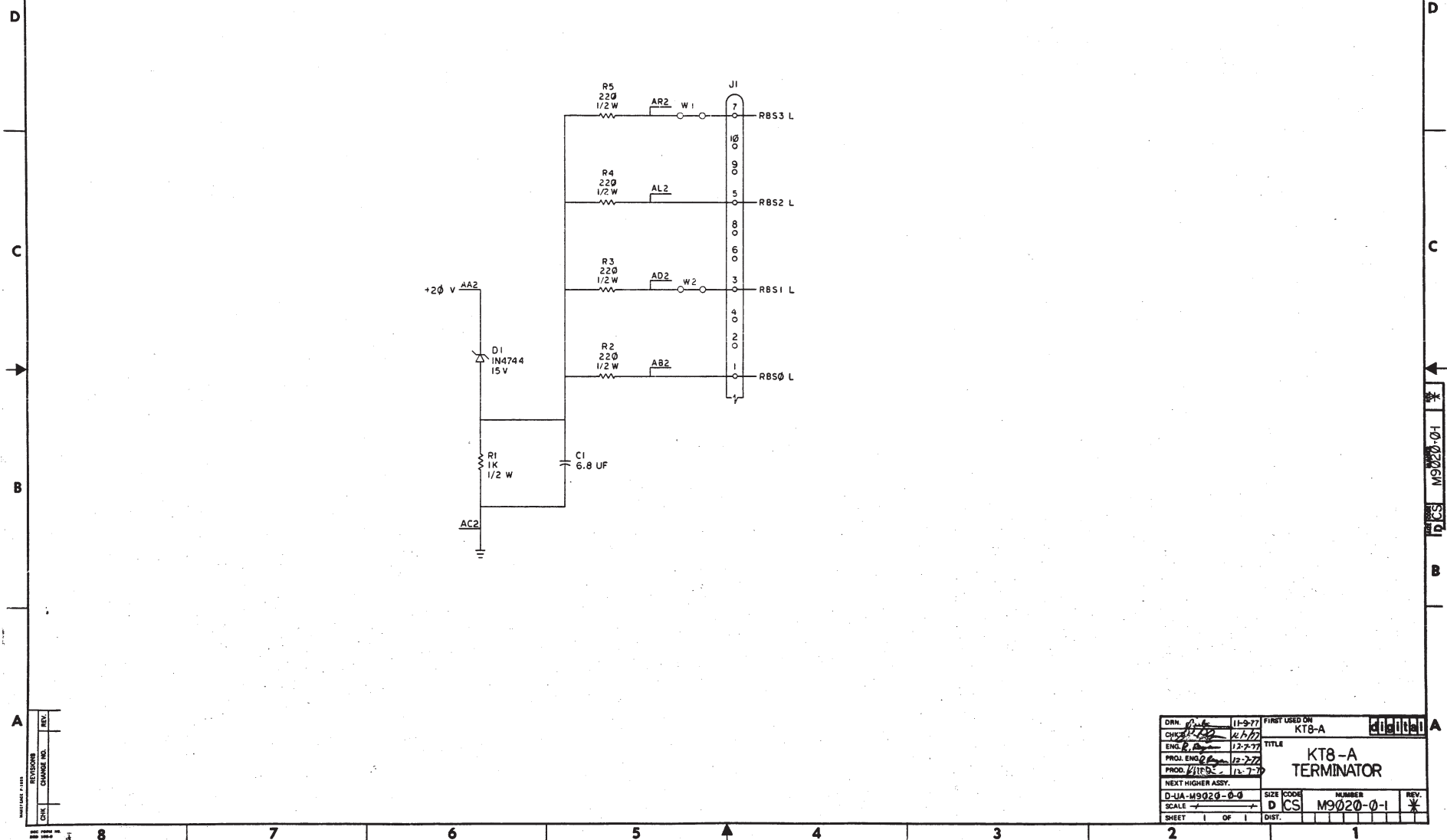


REVISIONS		
CHK	CHANGE NO.	REV.

TITLE	PDP8 MEMORY MANAGEMENT BOARD	SIZE/COD	D CS	NUMBER	M8416-0-1	REV.	D
SCALE		SHEET	7	OF	7	DWT.	

6 7 6 5 4 3 2 1

"THIS DRAWING AND SPECIFICATIONS, HEREIN, ARE THE PROPERTY OF DIGITAL EQUIPMENT CORPORATION AND SHALL NOT BE REPRODUCED OR COPIED OR USED IN WHOLE OR IN PART AS THE BASIS FOR THE MANUFACTURE OR SALE OF ITEMS WITHOUT WRITTEN PERMISSION.
COPYRIGHT © 1977 DIGITAL EQUIPMENT CORPORATION"



REV.	
CHANGE NO.	
CHK	

DRN	11-9-77	FIRST USED ON	KT8-A
CHK	4/5/77	TITLE	KT8-A TERMINATOR
ENG	12-7-77		
PROJ. ENG.	12-7-77		
PROD. DES.	12-7-77		
NEXT HIGHER ASSY.			
D-11A-M9020-0-0	SIZE	CODE	NUMBER
SCALE	D	CS	M9020-0-1
SHEET	1	OF	1
		DIST.	