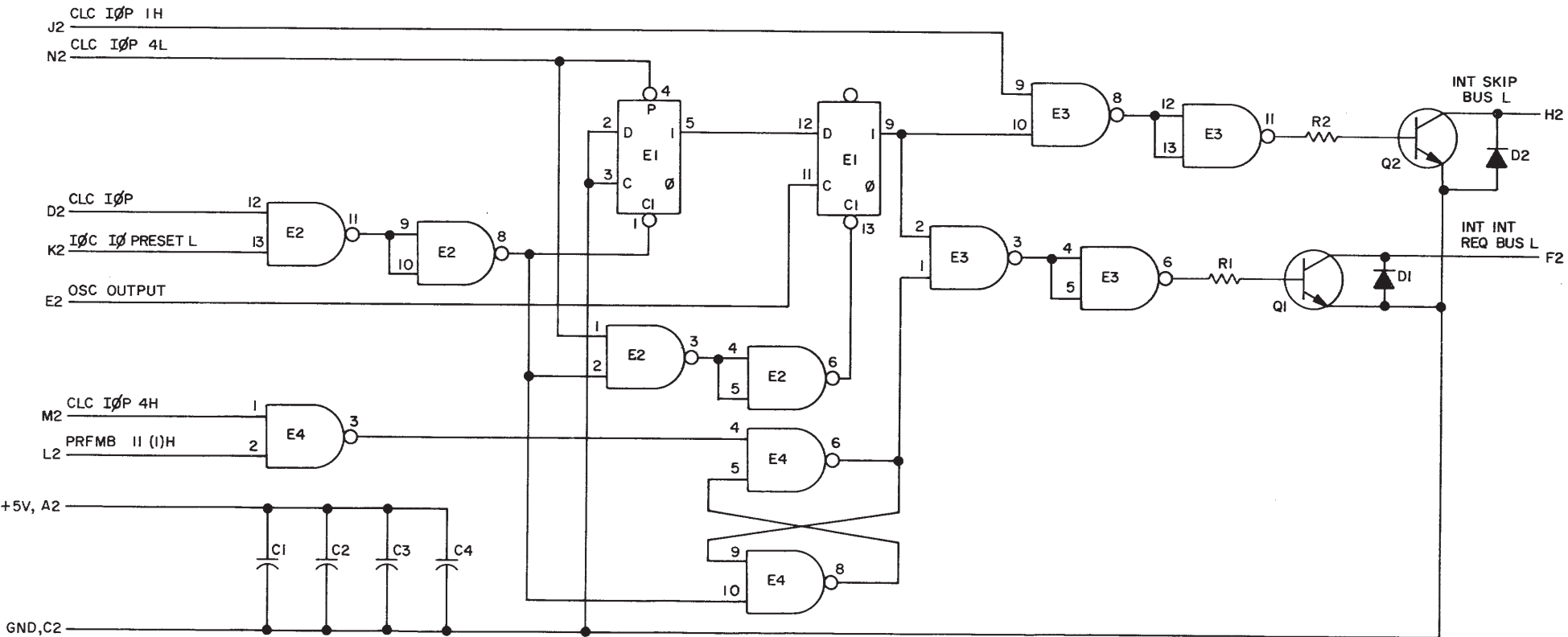


THIS SCHEMATIC IS FURNISHED ONLY FOR TEST AND MAINTENANCE PURPOSES. THE CIRCUITS ARE PROPRIETARY IN NATURE AND SHOULD BE TREATED ACCORDINGLY. COPYRIGHT 1970 BY DIGITAL EQUIPMENT CORPORATION



UNLESS OTHERWISE INDICATED:  
 RESISTORS ARE 390, 1/4W, 5%  
 CAPACITORS ARE .01MFD, 100V, 20%  
 TRANSISTORS ARE DEC3009B  
 DIODES ARE D664  
 E2, E3, E4 ARE DEC7400  
 E1 IS DEC7474  
 PIN 7 ON EACH IC = GND  
 PIN 14 ON EACH IC = +5V

REVISIONS CHK CHG NO.   REV.	DRN BUTLER	DATE 1/19/70	TRANSISTOR & DIODE CONVERSION CHART				 <b>digital</b> EQUIPMENT CORPORATION MAYNARD, MASSACHUSETTS	TITLE SIMPLE CLOCK M870			
	CHK'D <i>S. J. Smith</i>	DATE 3-15-70	DEC	EIA	DEC	EIA		SIZE B	CODE CS	NUMBER M870-0-1	REV.
	ENG <i>S. J. Smith</i>	DATE 6/25/70	D664	IN3606							
	PROD <i>D. Wall</i>	DATE 6/2/70	DEC3009B-S	2N3009B							
							PRINTED CIRCUIT REV. A				