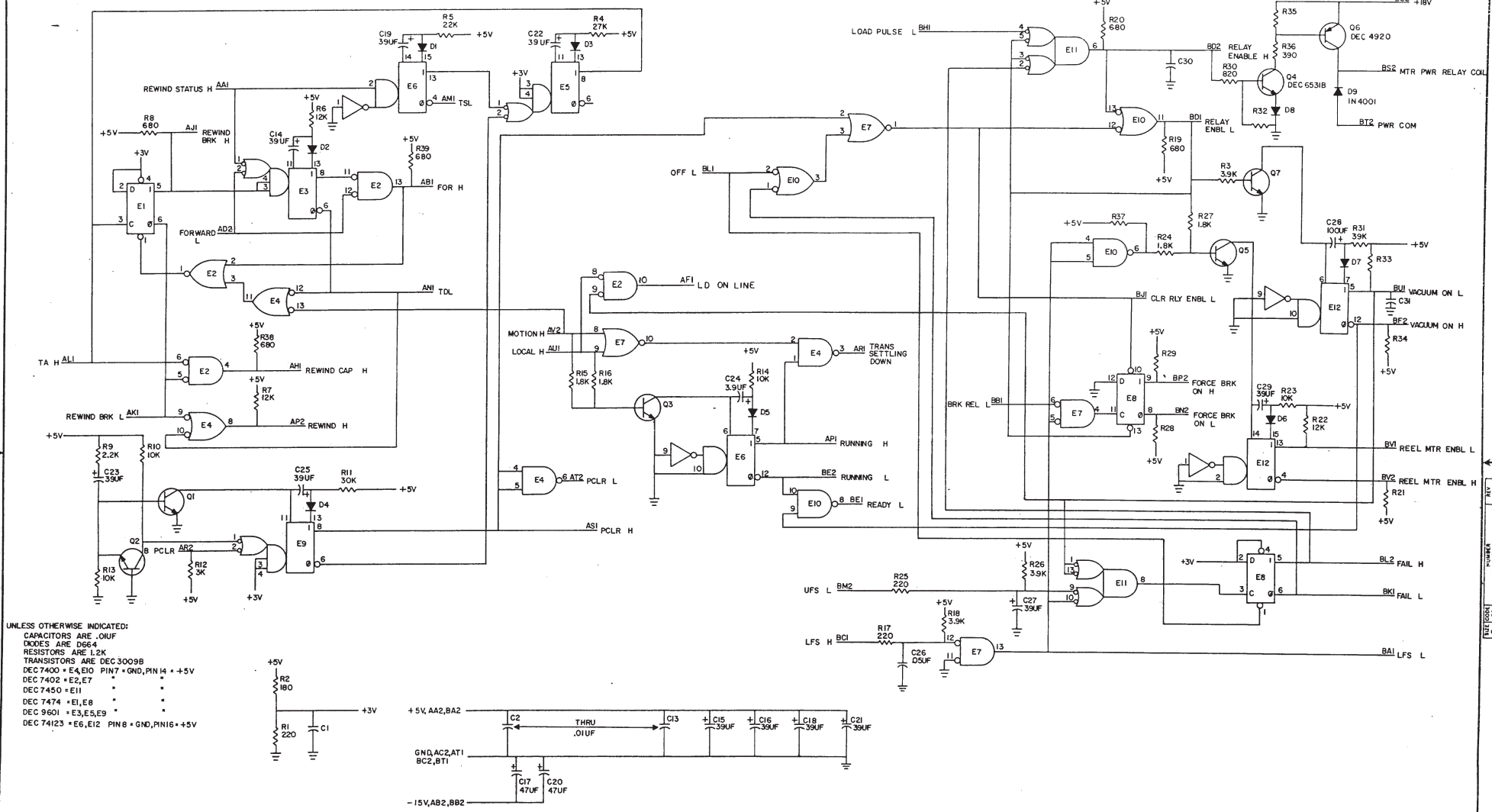


THIS SCHEMATIC IS FURNISHED ONLY FOR TEST AND MAINTENANCE PURPOSES. THE CIRCUITS ARE PROPRIETARY IN NATURE AND SHOULD BE TREATED ACCORDINGLY. COPYRIGHT [1977] BY ORIGINAL EQUIPMENT CORPORATION.

P
1-0-068W
53 Q
R003 J23



UNLESS OTHERWISE INDICATED:
 CAPACITORS ARE .01UF
 DIODES ARE D664
 RESISTORS ARE 1/2W
 TRANSISTORS ARE DEC 3009B
 DEC 7400 = E4, E10 PIN 7 = GND, PIN 14 = +5V
 DEC 7402 = E2, E7
 DEC 7450 = E11
 DEC 7474 = E1, E8
 DEC 9601 = E3, E5, E9
 DEC 74123 = E6, E12 PIN 8 = GND, PIN 16 = +5V

REV	DATE	TRANSISTOR & DIODE CONVERSION CHART				digital EQUIPMENT CORPORATION	TITLE MOTION CONTROL
CHG	BY	DEC	DATE	DEC	DATE		
REV	DATE	DEC 4920	3/2/77	IN4001	SAME		
REV	DATE	DEC 3009B	2/1/02	664	1N5806	SIZE D	CODE CS
REV	DATE	DEC 655	MP56321			NUMBER M890-0-1	REV J
REV	DATE					PRINTED CIRCUIT REV	

DEC FORM NO. 890 116