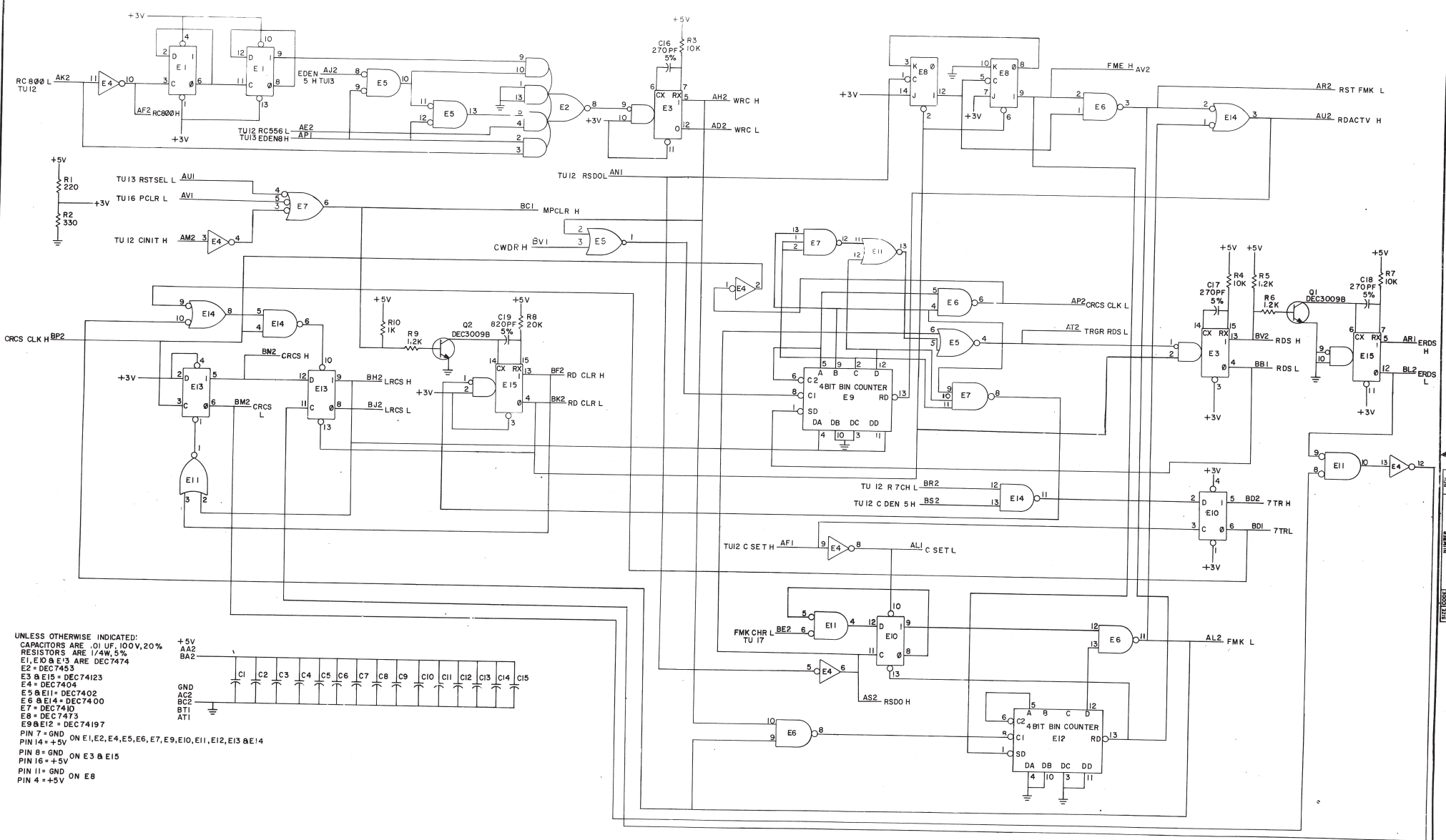
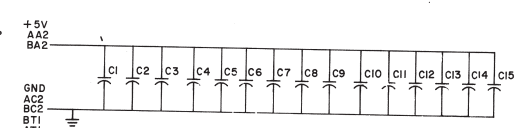


THIS SCHEMATIC IS THE PROPERTY OF THE MANUFACTURER. IT IS TO BE KEPT IN CONFIDENCE AND SHOULD BE TREATED ACCORDINGLY. COPYRIGHT © 1971 BY THE MANUFACTURER.



UNLESS OTHERWISE INDICATED:  
 CAPACITORS ARE .01 UF, 100V, 20%  
 RESISTORS ARE 1/4W, 5%  
 E1, E10 & E13 ARE DEC7474  
 E2 = DEC7463  
 E3 & E15 = DEC74123  
 E4 = DEC7404  
 E5 & E11 = DEC7402  
 E6 & E14 = DEC7400  
 E7 = DEC7410  
 E8 = DEC7473  
 E9 & E12 = DEC74197  
 PIN 7 = GND ON E1, E2, E4, E5, E6, E7, E9, E10, E11, E12, E13 & E14  
 PIN 14 = +5V ON E1, E2, E4, E5, E6, E7, E9, E10, E11, E12, E13 & E14  
 PIN 8 = GND ON E3 & E15  
 PIN 16 = +5V  
 PIN 11 = GND  
 PIN 4 = +5V ON E8



REVISIONS DATE BY	DATE	TRANSISTOR & DIODE CONVERSION CHART				SHEET 2 OF 2
	DATE	DEC	EIA	DEC	EIA	
CHNGD	DATE	DEC7008	NONZ			TITLE READ TIMING TU15 NUMBER D CS MB95-0-1
DATE	DATE					

