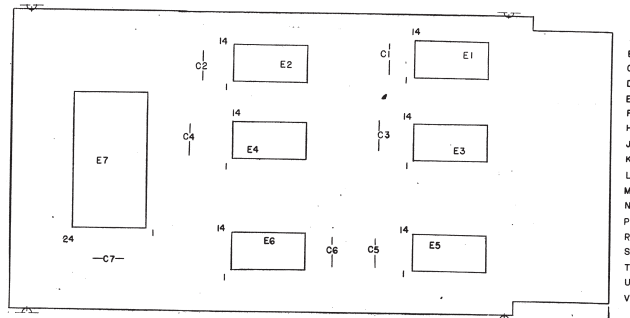
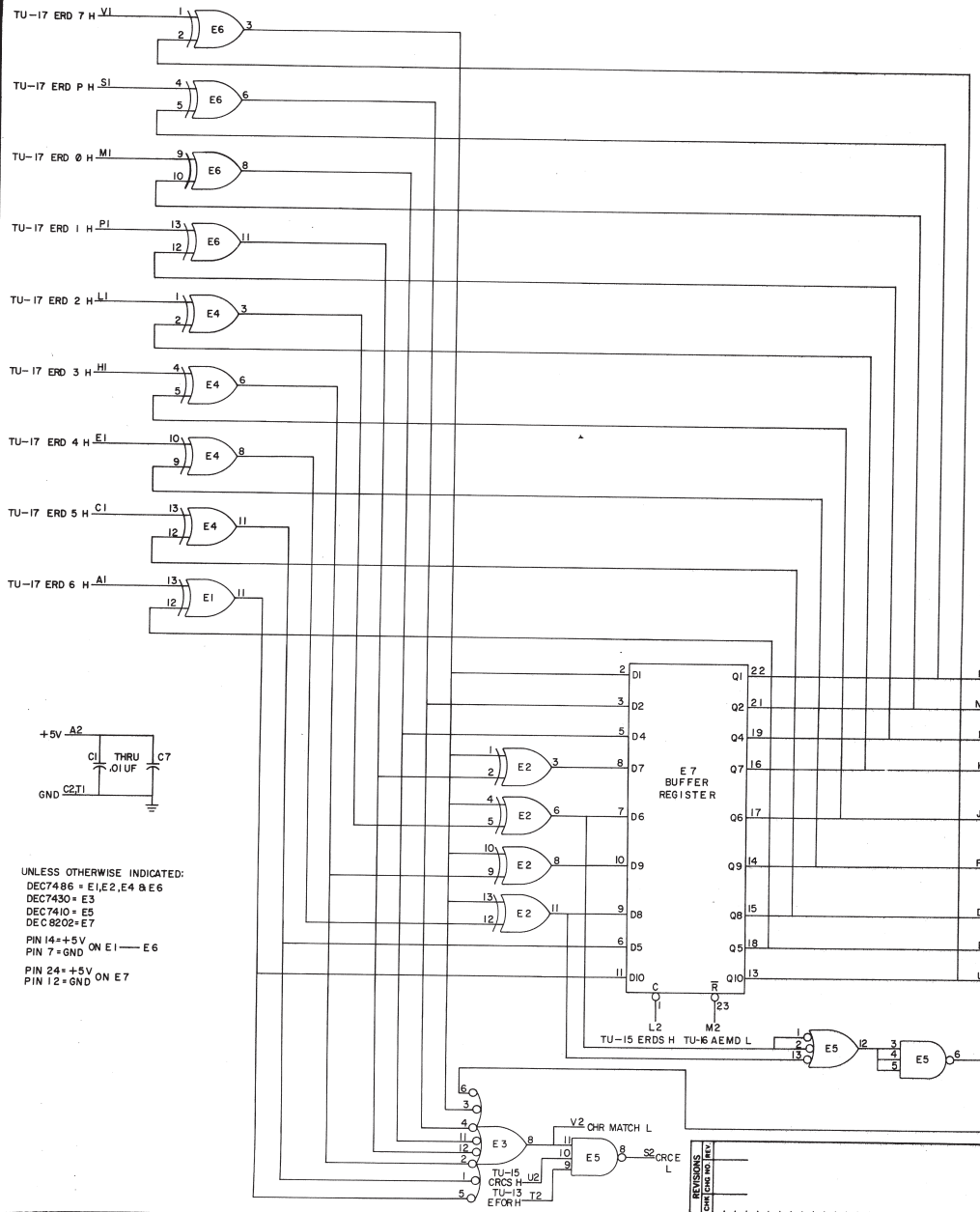


THIS SCHEMATIC IS FURNISHED ONLY FOR TEST AND MAINTENANCE PURPOSES. THE CIRCUITS ARE PROPRIETARY IN NATURE AND SHOULD BE TREATED ACCORDINGLY. COPYRIGHT 1971 BY DIGITAL EQUIPMENT CORPORATION

V I - 0 - 9 68 M SO D
 A36 9387M 1003 11/15



UNLESS OTHERWISE INDICATED:
 DEC7486 = E1, E2, E4 & E6
 DEC7430 = E3
 DEC7410 = E5
 DEC8202 = E7
 PIN 14 = +5V ON E1 - E6
 PIN 7 = GND
 PIN 24 = +5V
 PIN 12 = GND ON E7

QTY.	REP. DESIGNATION	DESCRIPTION	DBC PART NO.	REV.
1		HANDLE, FLIP CHIP - MAGENTA	9008337-06	11
2		EYELET	9006732	10
1	E7	I.C. DBC 8202	1910275	9
4	E1, 2, 4, 6	I.C. DBC 7486	1910011	8
1	E3	I.C. DBC 7430	1905578	7
1	E5	I.C. DBC 7410	1905576	6
7	C1 - C7	CAP. .01UF 100V 20% DISC	1001610	5
1		ETCHED CIRCUIT BOARD	5009696	4
		MODULE BEO HISTORY	B-MH-MB96-0-6	3
		ASSY/DRILLING HOLE LAYOUT	D-AH-MB96-0-5	2
		X-Y COORDINATE HOLE LOCATION	K-CO-MB96-0-4	1

TRANSISTOR & DIODE CONVERSION CHART		PARTS LIST		TITLE	
DEC	EIA	DEC	EIA	digital	CRC CHECKER
				EQUIPMENT	NUMBER
				CORPORATION	M896-0-1
				PRINTED CIRCUIT REV.	1

DEC FORM NO. 080 116

REV. A
 NUMBER
 D CS M896-0-1

Print