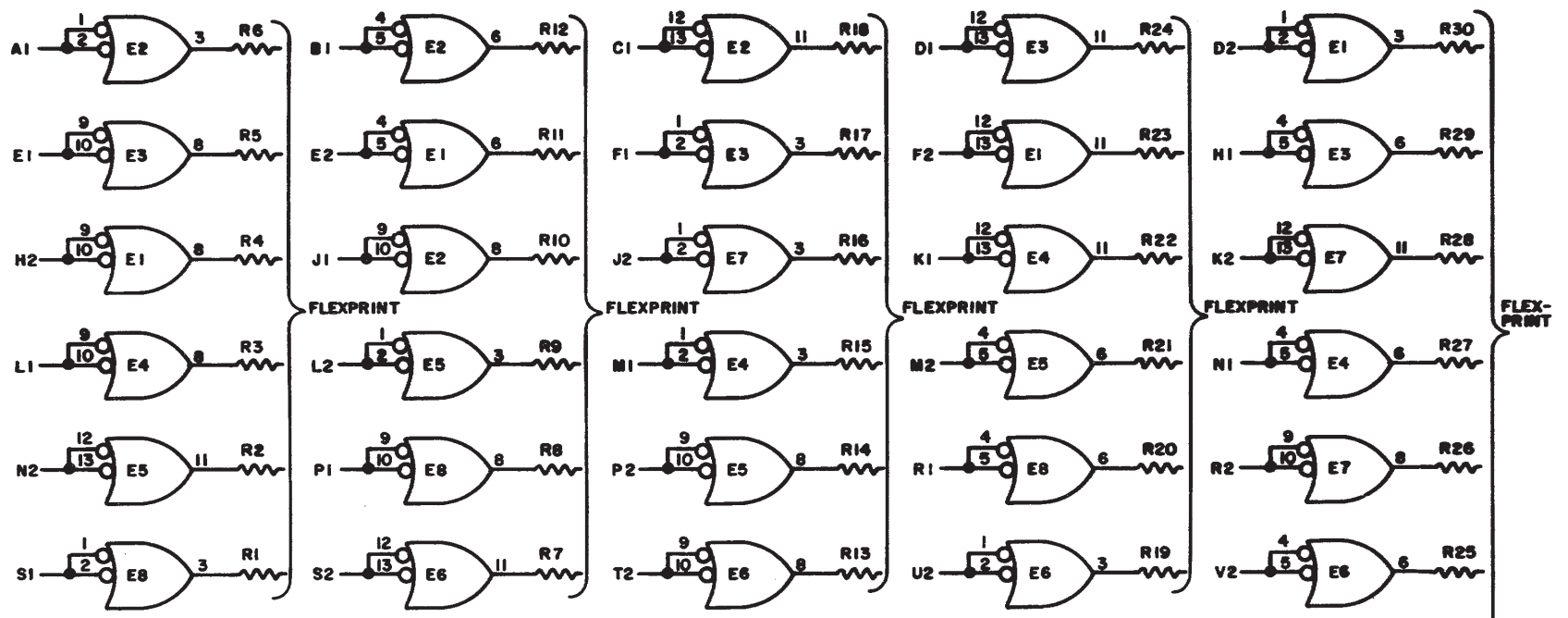


THIS SCHEMATIC IS FURNISHED ONLY FOR TEST AND MAINTENANCE PURPOSES. THE CIRCUITS ARE PROPRIETARY IN NATURE AND SHOULD BE TREATED ACCORDINGLY. COPYRIGHT 1967 BY DIGITAL EQUIPMENT CORPORATION



UNLESS OTHERWISE INDICATED:  
 IC'S ARE DEC7400N  
 RESISTORS ARE 470, 1/4W, 10%  
 PIN 7 ON EACH IC = GND  
 PIN 14 ON EACH IC = +5V

PARTS LIST IS A-PL-M900-0-0

REV. NO.	1	DATE	TRANSISTOR & DIODE CONVERSION CHART				TITLE	PDP-8-1 CONSOLE CONNECTOR M900			
	1		7-5-67	DEC	EIA	DEC		EIA	SIZE	CODE	NUMBER
CHG NO.	00001	DATE					B	CS	M900-0-1		B
DRN.	Dr. Miller	DATE					EQUIPMENT CORPORATION		PRINTED CIRCUIT REV.	CD	
CHKD.		DATE					MAYNARD, MASSACHUSETTS				
ENG.		DATE									
PROD.		DATE									