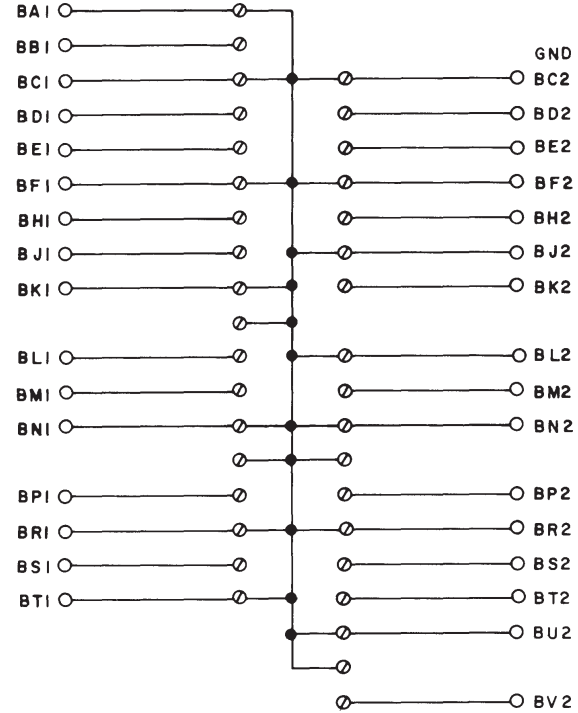
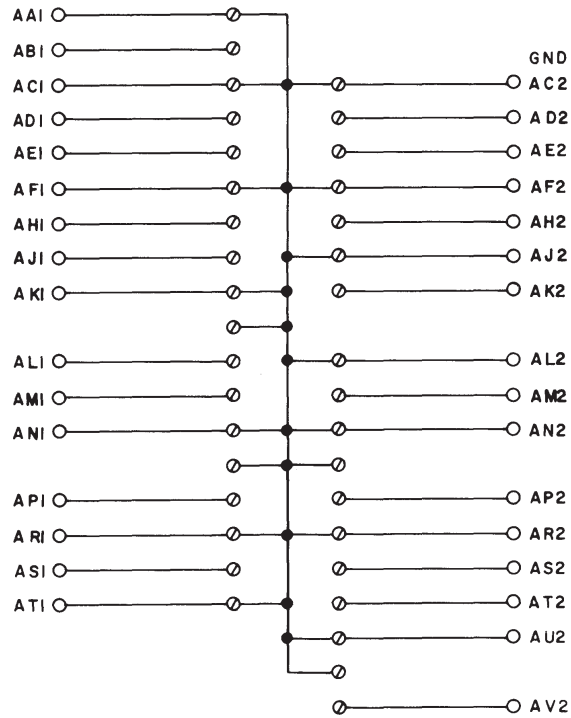


THIS SCHEMATIC IS FURNISHED ONLY FOR TEST AND MAINTENANCE PURPOSES. THE CIRCUITS ARE PROPRIETARY IN NATURE AND SHOULD BE TREATED ACCORDINGLY. COPYRIGHT 1969 BY DIGITAL EQUIPMENT CORPORATION



Ø SPLIT LUGS

REVISIONS	CHK	CHG NO	REV

DRN <i>R. Spaulding</i>	DATE 8-26-69
CHK'D <i>J. Pabette</i>	DATE 3-12-69
ENG. <i>R. S. Skaroul</i>	DATE 7-30-69
PROP. <i>Spote</i>	DATE 2/1/69

TRANSISTOR & DIODE CONVERSION CHART			
DEC		EIA	

digital
EQUIPMENT CORPORATION
MAYNARD, MASSACHUSETTS

TITLE IO BUS CONNECTOR CARD M912			
SIZE B	CODE CS	NUMBER M912-0-1	REV.
PRINTED CIRCUIT REV.			A