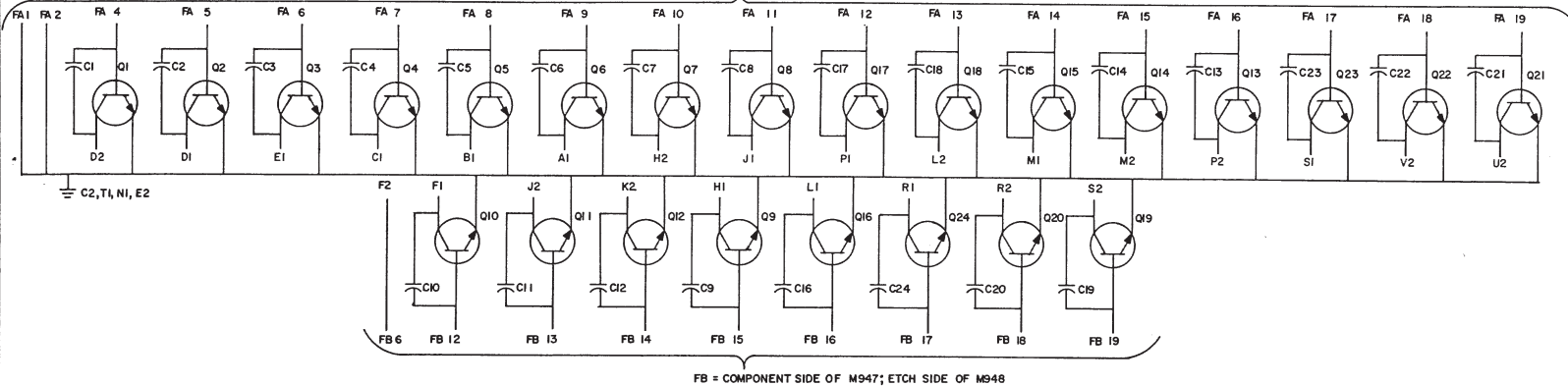


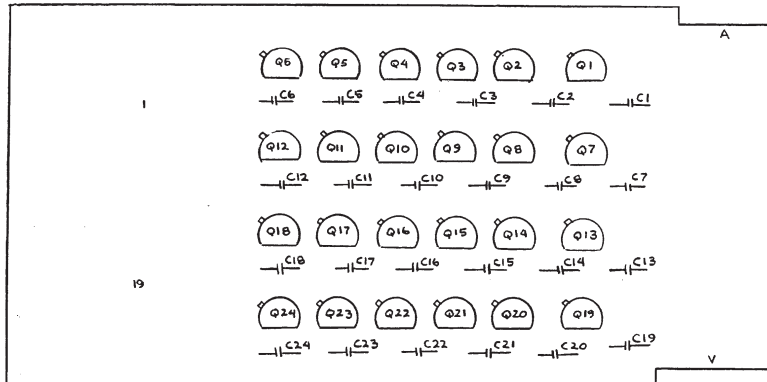
THIS SCHEMATIC IS FURNISHED ONLY FOR TEST AND MAINTENANCE PURPOSES. THE CIRCUITS ARE PROPRIETARY IN NATURE AND SHOULD BE TREATED ACCORDINGLY. COPYRIGHT 1970 BY DIGITAL EQUIPMENT CORPORATION

FA = ETCH SIDE OF M947; COMPONENT SIDE OF M948



FB = COMPONENT SIDE OF M947; ETCH SIDE OF M948

UNLESS OTHERWISE INDICATED:
CAPACITORS ARE 470PF, 100V, ±5%
TRANSISTORS ARE DEC6531B



6	150933B	TRANSISTOR DEC 6531B	24
5	1000024	CAP. 470 PF 100V 5%	24
4	5009370	ETCHED CKT. BOARD	1
3	B-MH-1947-0-6	MODULE ECO HISTORY	
2	C-AH-1947-0-5	ASSY/DRILLING HOLES LAYOUT	
1	K-CO-1947-0-4	X-Y COORDINATE HOLE LOCATION	
ITEM NO.	DEC PART NO.	DESCRIPTION	QTY

PARTS LIST

REV. NO.	DATE	BY

DEC FORM NO. DRC 102

DRN. NAME	DATE
MANLEY MOORE	5/18/70
CHKD. DATE	
ENGR. DATE	
PROD. DATE	

TRANSISTOR & DIODE CONVERSION CHART			
DEC	EIA	DEC	EIA
DEC6531B	MP6531		

digital
EQUIPMENT CORPORATION
MAYNARD, MASSACHUSETTS

TITLE	NUMBER	REV.
KI-10 INDICATOR DRIVER M947	M947-0-1	B
SIZE	CODE	
C	CS	
PRINTED CIRCUIT REV.	C	

REV. B
M947-0-1
SIZE CODE C CS

Printed Blank