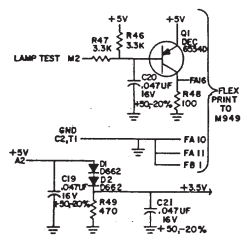
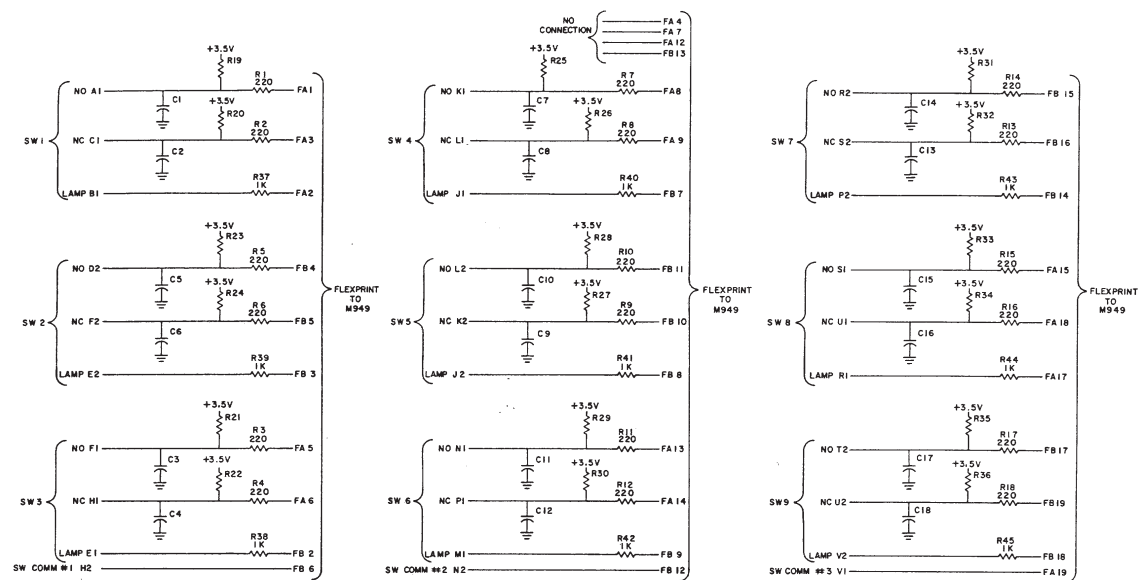
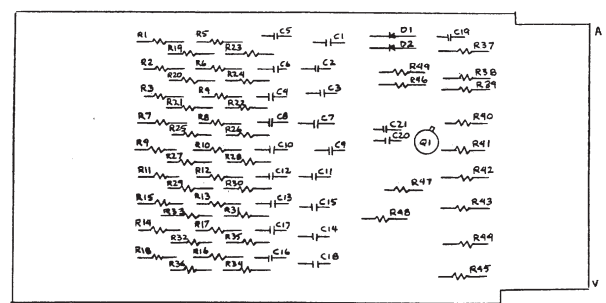


THIS SCHEMATIC IS FURNISHED ONLY FOR TEST AND MAINTENANCE PURPOSES. THE CIRCUITS ARE PROPRIETARY IN NATURE AND SHOULD BE TREATED ACCORDINGLY. COPYRIGHT 1970 BY DIGITAL EQUIPMENT CORPORATION



UNLESS OTHERWISE INDICATED:  
RESISTORS ARE 4.7K, 1/4W, 5%  
CAPACITORS ARE 470PF, 100V, 5%  
FA- ETCH SIDE OF M950; COMPONENT SIDE OF M949  
FB-COMPONENT SIDE OF M950; ETCH SIDE OF M949



ITEM NO.	DWG PART NO.	DESCRIPTION	QTY.
14	1503408-00	TRANSISTOR DBC 6534D	1
13	1300647	RES. 4.7K, 1/4W, 5%	18
12	1300439	RES. 3.3K, 1/4W, 5%	2
11	1300365	RES. 1K, 1/4W, 5%	9
10	1300316	RES. 470, 1/4W, 5%	1
9	1300229	RES. 100, 1/4W, 5%	1
8	1300271	RES. 220, 1/4W, 5%	18
7	1100113	DIODE D662	2
6	1009478	CAP. .047UF, 16V, 50-20%	3
5	1000024	CAP. 470PF, 100V, 5%	18
4	5009372	ETCHED CIRCUIT BOARD	1
3	B-PH-M950-0-6	MODULE ECO HISTORY	
2	C-AN-M950-0-5	ASSY/DRILLING HOLE LAYOUT	
1	K-CO-M950-0-4	X-Y COORDINATE HOLE LOCATION	

TRANSISTOR & DIODE CONVERSION CHART

SEC	EW	SEC	EW
D662	1N645	2C43340	1N65330

digital EQUIPMENT CORPORATION  
INDICATOR CABLE CONN M950

DATE: 1/75  
BY: [Signature]