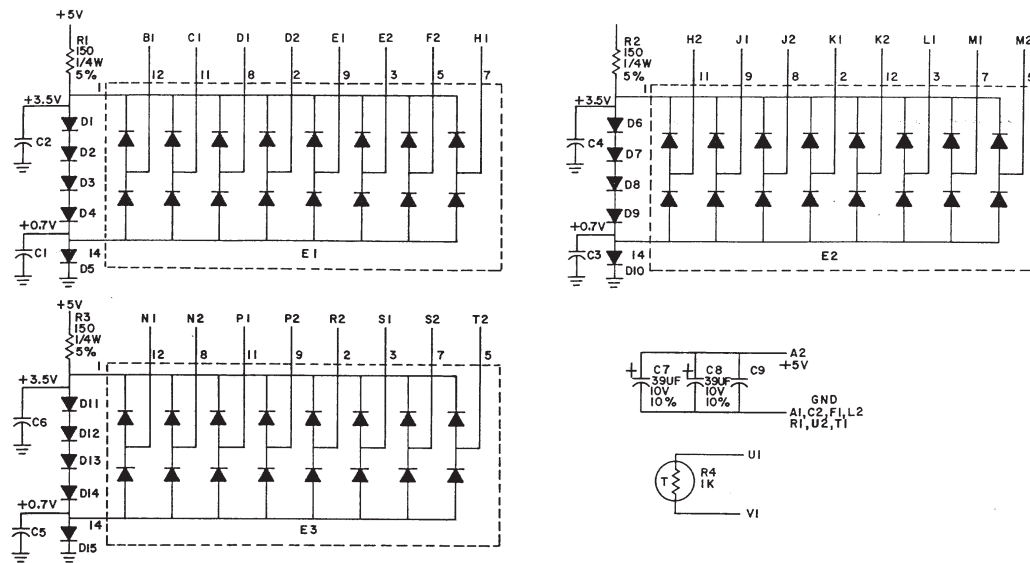
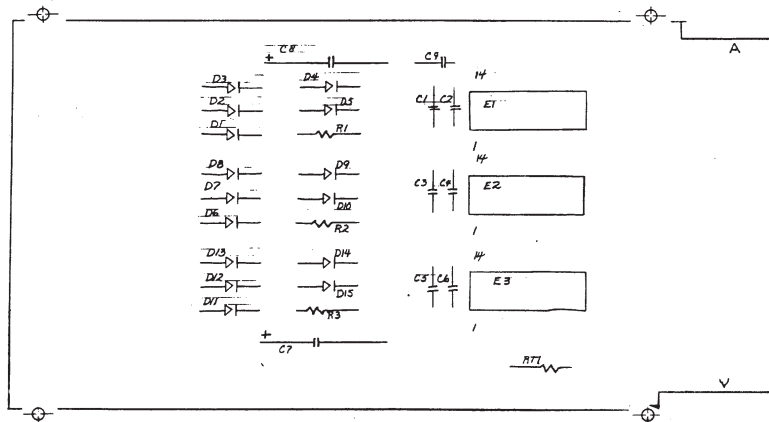


THIS SCHEMATIC IS FURNISHED ONLY FOR TEST AND MAINTENANCE PURPOSES. THE CIRCUITS ARE PROPRIETARY IN NATURE AND SHOULD BE TREATED ACCORDINGLY. COPYRIGHT 1971 BY DIGITAL EQUIPMENT CORPORATION.



UNLESS OTHERWISE INDICATED:
CAPACITORS ARE .01UF, 100V, 5%
DIODES ARE D662
IC'S ARE DEC2501
THERMISTOR = DEC1310071



ITEM NO.	DEC PART NO.	DESCRIPTION	QTY.
10	1910011	I.C. - DEC2501M	3
9	1310071	THERMISTOR 1K ±1% 75°F - 25°C	1
8	1300250	RES. 150 1/4W 5%	3
7	1100113	DIODE D662	15
6	1001610	CAP. .01UF 100V 20% DISC	7
5	1000076	CAP. 39UF 10V 10%	2
4	5009532	ETCHED CIRCUIT BOARD	1
3	B-MH-M969-0-1	MODULE HISTORY	
2	C-AH-M969-0-5	ASSY/DRILLING HOLE LAYOUT	
1	K-CO-M969-0-6	X-Y COORDINATE HOLE LOCATION	
PARTS LIST			

REVISIONS
ENG
DATE

DRN
3. Corcoran
DATE
4/30/71
CHKD
M.L.
DATE
4/27/71
ENG
J. Deane
DATE
4/27/71
MOD

TRANSISTOR & DIODE CONVERSION CHART			
DEC	EIA	DEC	EIA
D662	1N5606		

digital
EQUIPMENT CORPORATION
MAYNARD, MASSACHUSETTS

TITLE 24 LEVEL TERMINATORS AND THERMISTOR
SIZE CODE C | CS
NUMBER M969-0-1
REV. A

REF. A
SEE CASE NUMBER
C | CS | M969-0-1