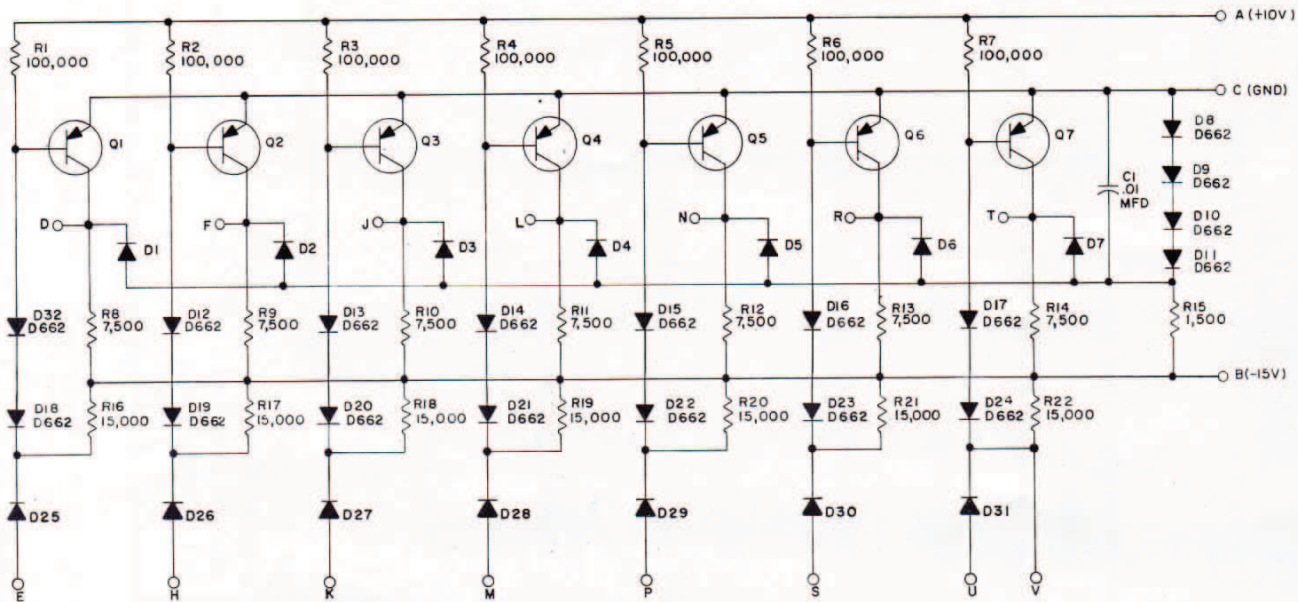


RS-B-RI07-2



UNLESS OTHERWISE INDICATED;
 RESISTORS ARE 1/4W, 5%
 DIODES ARE D-664
 TRANSISTORS ARE DEC 3639-0

TRANSISTOR & DIODE CONVERSION CHART	
DEC	EIA
DEC 3639-0	2N3639
D-662	1N645
D-664	1N3606

NOTES

THIS SCHEMATIC IS FURNISHED ONLY FOR TEST AND MAINTENANCE PURPOSES. THE CIRCUITS ARE PROPRIETARY IN NATURE AND SHOULD BE TREATED ACCORDINGLY

COPYRIGHT 1964 BY DIGITAL EQUIPMENT CORPORATION

0	1	2	3	4	5	6	7	8	9	A	B	C	D	E	F	G	H	I	J	K	L	M	N	O	P	Q	R	S	T	U	V	W	X	Y	Z
---	---	---	---	---	---	---	---	---	---	---	---	---	---	---	---	---	---	---	---	---	---	---	---	---	---	---	---	---	---	---	---	---	---	---	---

B	RS-B-RI07	2
INVER		1107