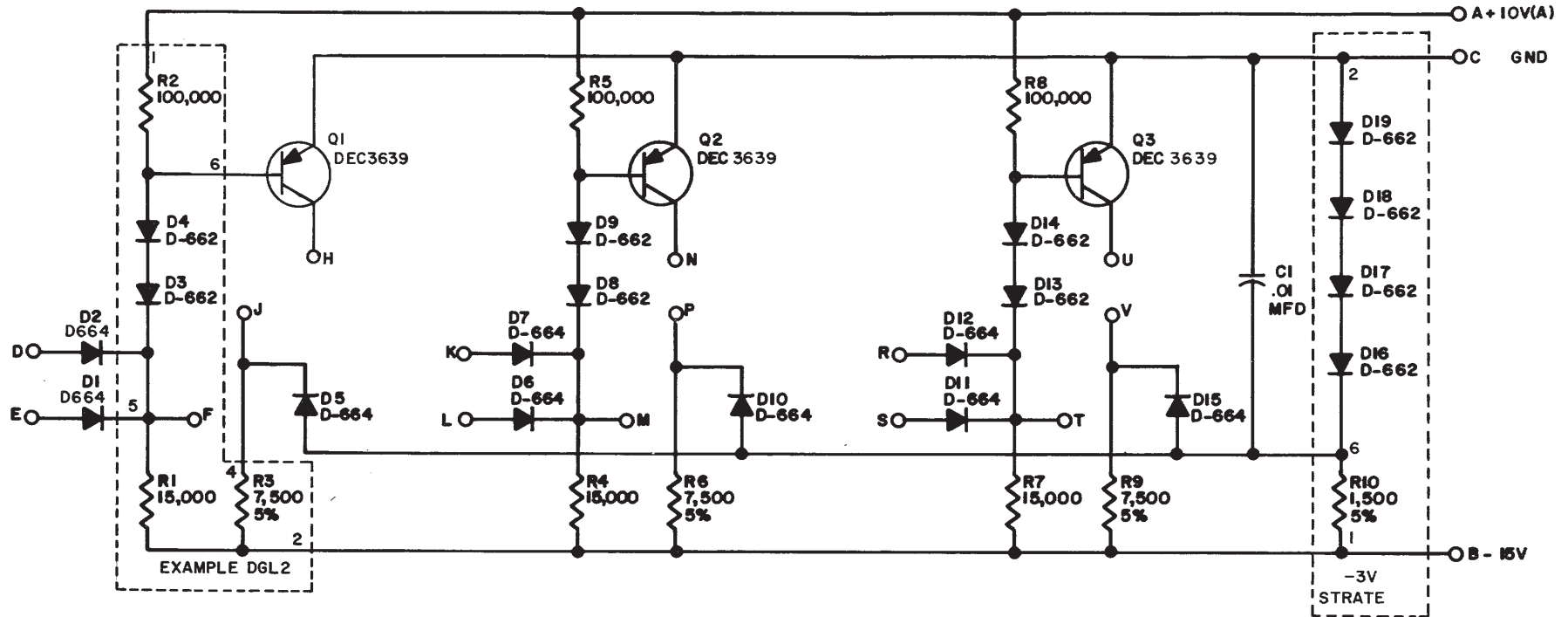


THIS SCHEMATIC IS FURNISHED ONLY FOR TEST AND MAINTENANCE PURPOSES. THE CIRCUITS ARE PROPRIETARY IN NATURE AND SHOULD BE TREATED ACCORDINGLY. COPYRIGHT 1964 BY DIGITAL EQUIPMENT CORPORATION



UNLESS OTHERWISE INDICATED:
RESISTORS ARE 1/4W; 5%
PRINTED CIRCUIT REV. FOR
DGL BOARD IS SIB



REVISIONS	CHK	CHG NO.	REV.
	DAM	4756	I
	REV	8 REDR.	D
		5378	
		5459	E
		6634	F

DRN. H PORTER	DATE 5-15-64
CHK'D N. PERRYMAN	DATE 5-25-64
ENG. R. BANK	DATE 5-25-64
PROD.	DATE

TRANSISTOR & DIODE CONVERSION CHART	
DEC	EIA
DEC3639	2N3639
D662	1N645
D664	1N3606

digital
EQUIPMENT CORPORATION
MAYNARD, MASSACHUSETTS

TITLE DIODE GATE R111			
SIZE B	CODE CS	NUMBER R111-0-1	REV. F
PRINTED CIRCUIT REV.			DEF